



Rotoi Patio 130 LS

Aluminium Lift&Sliding system



Roto Patio Lift

The stylish and versatile solution

Rotoi Patio130 is setting new standards when it comes to window and door tightness and is therefore ideal for use in high-rise buildings where high wind loads occur.

Rotoi Patio130 LS (Lift&Sliding) brings great operating convenience and a sophisticated design to any modern building. The Slim variants unlock many additional possible applications: even modern, slimline profiles with minimal visible widths and high design standards. The proven system is easy to install and also impresses with its quiet operation and outstanding durability.

Performance Data

Resistance to wind load	+/- 1500Pa (proof load 2250Pa) ASTM E330/330M
-------------------------	--

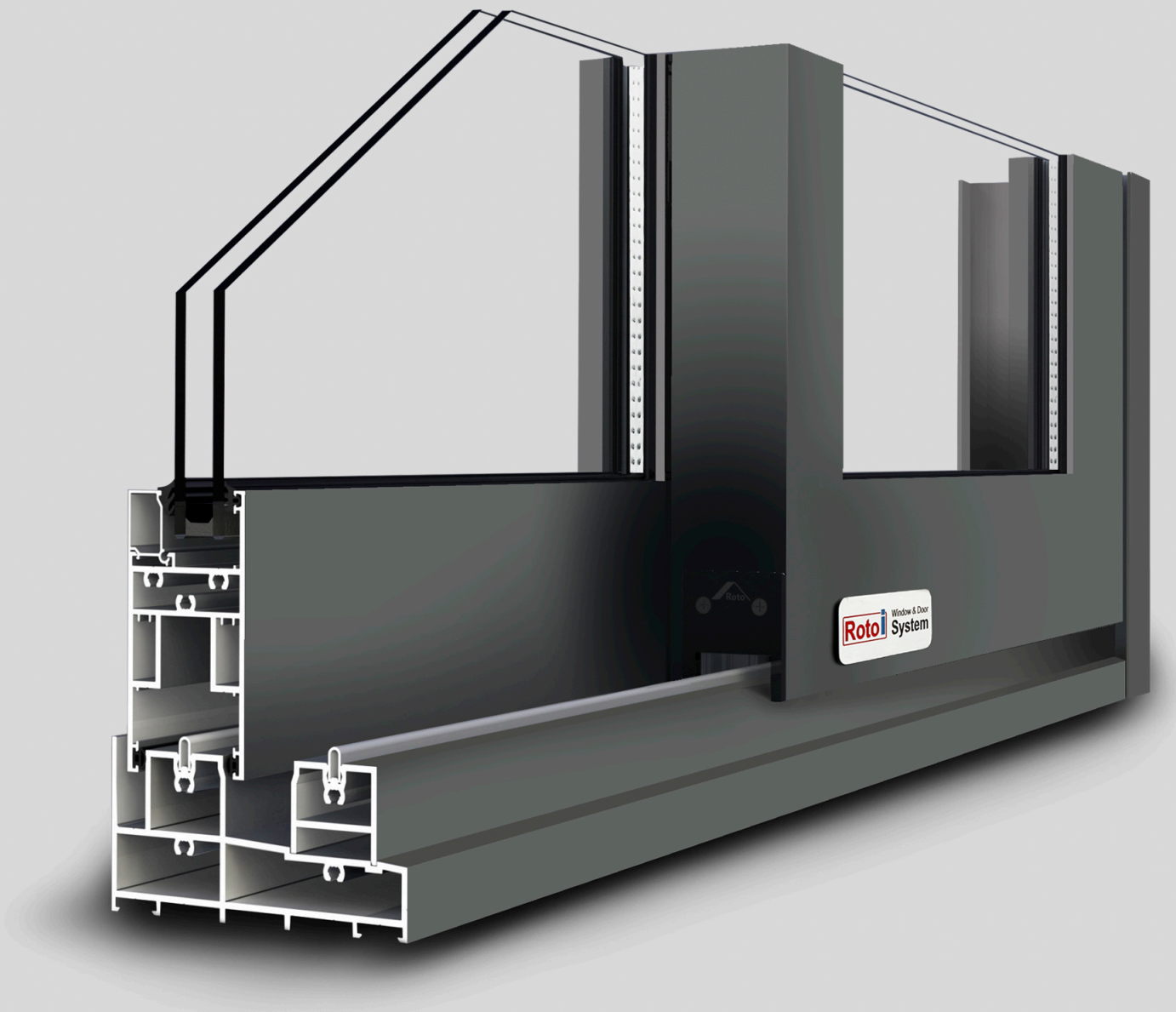
Air permeability	300Pa ASTM E283
------------------	-----------------

Water tightness	500Pa(STATIC) ASTM E331 1000Pa(Cyclic) ASTM E547
-----------------	---

* Performance data obtained from lab-test with specific size. Different opening size, and/or assembly(or installation) quality from different fabricator could affect the test result and actual performance.

Max. Sash width*	2800mm
Max. Sash height*	3200mm
Max. Sash weight*	300kg

* Sash size should be determined with the factor of window load and practical need;
* Max.Sash width & Max. Sash height might not be satisfied at same time;
* Max. sash weight is determined by the hardware and should not be exceeded at any time



Available in 2 threshold solution to satisfy critical water tight requiremen

- 2.5mm structural wall thickness on main profiles to ensure the strength and to satisfy critical requirement from Hong Kong market
- 60mm sight surface width of mullion to satisfy modern architectural aesthetic
- Glass thickness range from 5mm to 36mm
- Flushed mounted striker plate on frame replaced stubble-like locking bolt from traditional lift&slide
- Integrated damper in the gear helps to prevent uncontrollable handle rebounding
- Stainless roller bogie ensures outstanding durability and corrosion resistance
- S316 Stainless steel track for smoother sliding and long service life

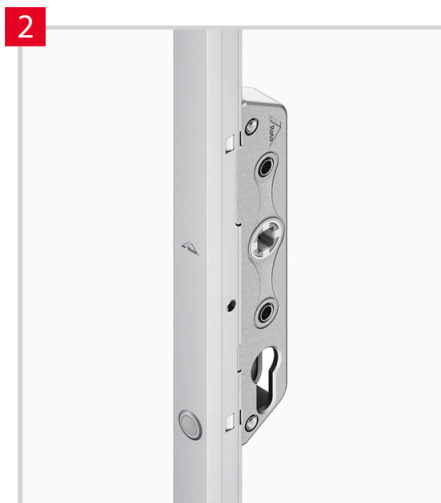
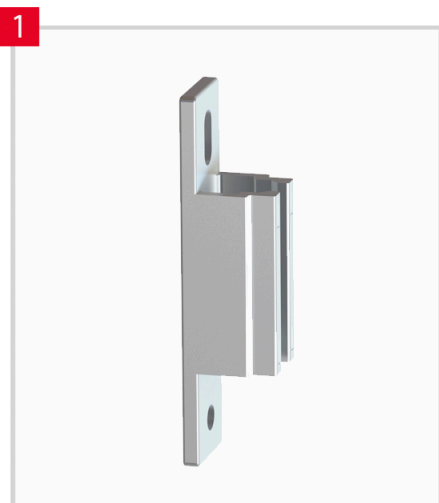




The espagnolette

Is easy to use and impresses with fast installation.

- Espagnolette for window and door formats (sash height 1000 to 3100 mm)
- Door espagnolette prepared for mounting profile cylinders as standard
- Individual customer logo (info clip) possible
- Dampers integrated as standard for sash weights greater than 300 kg to prevent uncontrolled rebound of the handle





Roto Patio Lift

Raising the stakes

Global expertise, long-standing trust

For decades, Roto has been playing a leading role in the window and door technology sector. As the inventor of the first industrially produced Tilt&Turn hardware, we represent German engineering skills with major benefits. With the high quality in our production, efficient delivery processes and our extensive range of services, we prove on a daily basis that our customers and their customers around the world can rely on Roto as an established brand.

An increasing number of property owners are opting for large glass facades – for well-lit spaces and exclusive panoramic views. Rotoi Patio130 Lift&Slide system creates a seamless transition from inside to outside with a generous opening and simple operation. The new Rotoi Patio130 LS meets high standards of comfort, design and quality while being efficient to process. Developed for sash weights of up to 400 kg for Slim profiles, the own hardware system is ideal for a wide variety of different uses.



if futher information is required, please contact:

Singapore

Asia-Pacific regional Headquarter
ROTO FRANK ASIA-PACIFIC PTE.LTD.
19 Joo Koon Road Singapore 628978
Tel +65 6662 9240
Fax +65 6795 3738
E-mail info@roto-frank.com.sg

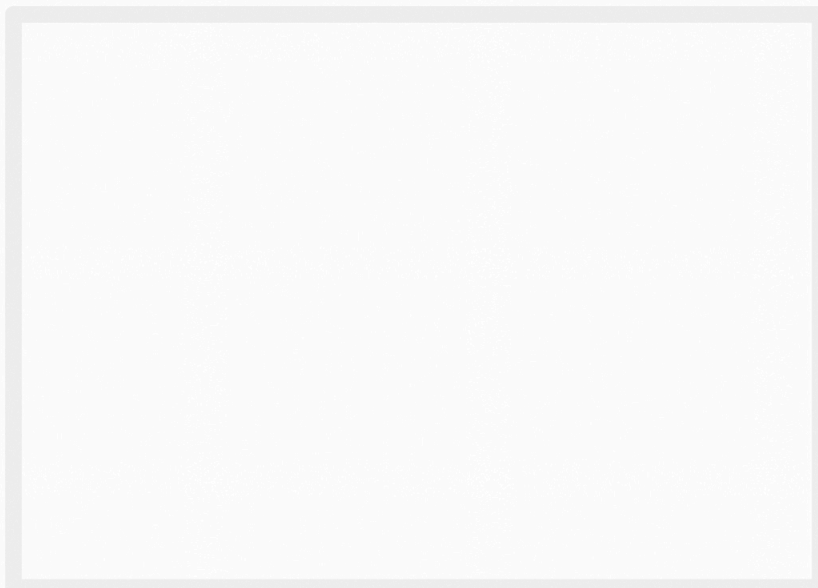
Roto Frank AG

Global Headquarter
Wilhelm-Frank-Platz 1
70771 Leinfelden-Echterdingen Germany
Tel +49 711 7598-0
Fax +49 711 7589-253
www.roto-frank.com

Vietnam

Representative Office
C9 Mandarin Garden,
Hoang Minh Giam Str.,
Trung Hoa ward,
Cau Giay Dist., Hanoi
Tel +84 24 6282 6500
Fax +84 24 6282 6500
E-mail info@roto-frank.com.vn

YOUR LOCAL ROTO AGENT / DISTRIBUTOR



are registered logo and trademark of Roto Frank Group. Unauthorized using of Roto Logo and trademark is infringe to the intellegent property rights of Roto Frank that may result legal consequence.