

Rotoi

german made

Roto



Roto Patio 130IW

Tight seal Sliding System

Tight Seal

Rotoi Patio 130 Inowa



Effective operation of air conditioning
Lower cooling



Comfortable house
Peace and tranquility



Protection against intrusive noise
In city centres, near busy roads and airports



Dry floor...
Even in thunderstorms and torrential rain



No currents of air
No draughts



Peace of mind on holiday
Restful sleep





Tight Seal

Remains tightly sealed even in stormy weather

Rotoi Patio 130 IW is setting new standards for sliding openings when it comes to tightness and security, is therefore ideal for all kinds of building. The system guarantees to remain tightly sealed when facing challenges from extreme climate, especially in heavy storms. There is no trace of draughts or rattling sashes - thanks to the unique Roto technology. Rotoi Patio 130 IW satisfies sliding openings that need to meet high performance requirements, in terms of tightness, sound reduction and security.

Performance Data

Resistance to wind load	4050Pa ASTM E330/330M
Air permeability	600Pa ASTM E283
Water tightness	1000Pa (Static) ASTM E331 1300Pa (Cyclic) ASTM E547
Performance data obtained from lab test in specific size. Different size may affect performance, so does the assembly and/or installation quality from different fabricator/contractor.	
Max. Sash width*	1500mm
Max. Sash height*	3000mm
Max. Sash weight*	250kg

* Sash size should be determined with the factor of window load and practical need.
* Max. Sash width & Max. Sash height might not be satisfied at same time.
* Max. Sash weight is determined by hardware and should not be exceeded.

Rotoi Patio130 Inowa

Tight Seal Sliding

- Rotoi Patio130 Inowa is synonymous with Tight Seal Sliding.
- The opening gaps between the sash and frame are sealed with compressed gasket.
- To open and close it, all you need to do is to turn the handle vertically 180 degrees as easy as Tilt&Turn window



Handle up - Unlock and open the ash
down - Lock at closing position

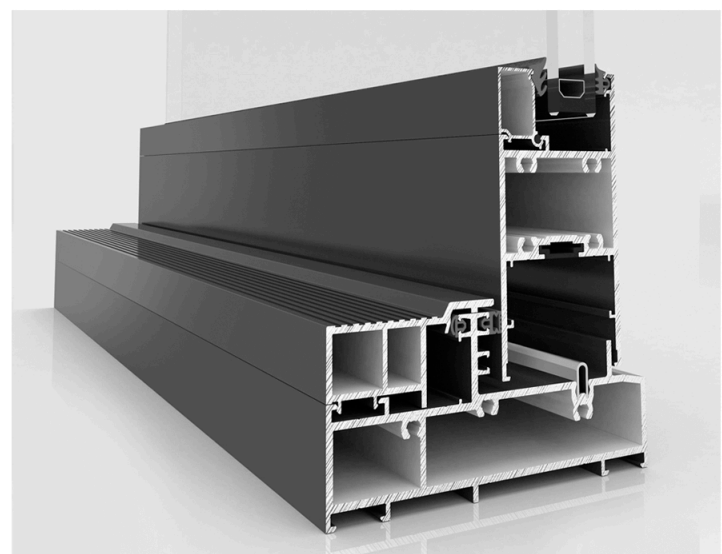
Slim Look and Low Step



- The mullion has slimmer sight surface than other sash members to follow the modern aesthecti
- The low step built into the floor makes it possible to access without stubbing your toes

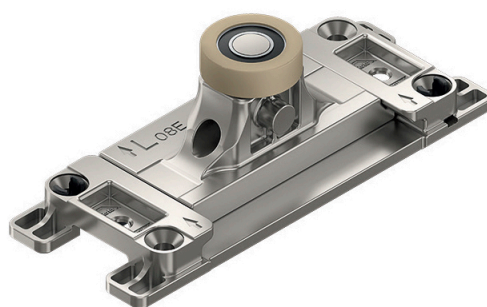
Designing Characteristics

- Available in outside run sash and inside run sash with barrier free threshold
- Possible to enhance the tightness with additional round of compression gasket
- 80mm sight surface width of mullion without losing strength and security
- Possibility to reinforce the mullion from inside and outside 2.5mm structural wall thickness on main profiles to ensure the strength and to satisfy critical requirement from Hong Kong market
- Enhanced striker to prevent damages from external forces and remain smooth operation
- S316 Stainless steel track for smoother sliding nad long service life
- Glass thickness range from 5mm to 36mm





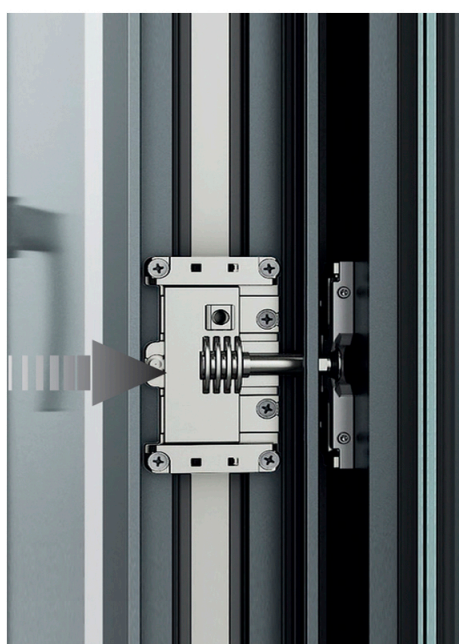
| Roller unit



| Control unit



| Centre closer



Safe and secure closing

Large areas of glass are an invitation into the home, so they have to be fully secure. With Roto Patio Inowa, there are locking points around the sash that ensure secure closing and a uniform gasket compression. Additional locking points conform to the highest security among all sliding systems (RC2). The quantity and location of the locking points are flexible to best satisfy the need.

- Innovative closing movement perpendicular to the frame profile
- Entire hardware system is concealed from outside
- Active locking points in the mulion as well
- Additional cylinder lock or key-locable handle is available



The new Soft functions*

Making operation more comfortable

The SoftClose and SoftOpen allow gentle opening and closing to optimise the comfort of experience.

There is no risk of having hands crushed by the heavy sash, thanks to the secure braking.

High-quality materials ensure a smooth running movement and minimise the noise level.

* SoftClose and SoftOpen are optional parts on request from standard configuration



The **SoftOpen function** briefly brakes the sash after opening and pulls it into the open final position.

The **SoftClose function** gently brakes the sash when closing and moves it to the end position.

if futher information is required, please contact:

Singapore

Asia-Pacific regional Headquarter
ROTO FRANK ASIA-PACIFIC PTE.LTD.
19 Joo Koon Road Singapore 628978
Tel +65 6662 9240
Fax +65 6795 3738
E-mail info@roto-frank.com.sg

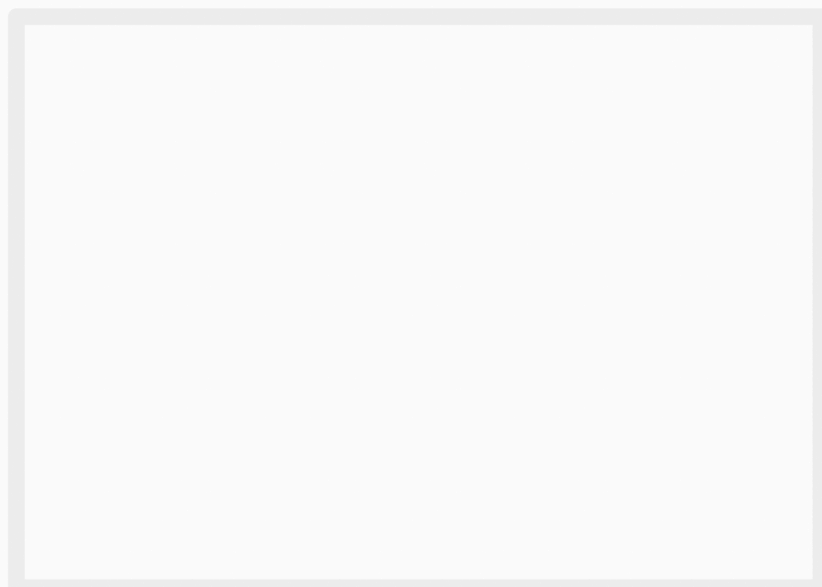
Roto Frank AG

Global Headquarter
Wilhelm-Frank-Platz 1
70771 Leinfelden-Echterdingen Germany
Tel +49 711 7598-0
Fax +49 711 7589-253
www.roto-frank.com

Vietnam

Representative Office
C9 Mandarin Garden,
Hoang Minh Giam Str.,
Trung Hoa ward,
Cau Giay Dist., Hanoi
Tel +84 24 6282 6500
Fax +84 24 6282 6500
E-mail info@roto-frank.com.vn

YOUR LOCAL ROTO AGENT / DISTRIBUTOR



are registered logo and trademark of Roto Frank Group. Unauthorized using of Roto Logo and trademark is infringe to the intellegent property rights of Roto Frank that may result legal consequence.