

## Roto Handles

Handles for all opening types

Catalogue  
for timber, PVC and aluminium profiles



## german made

### What does that mean?



The company Roto with headquarters in Leinfelden-Echterdingen near Stuttgart is a German group of companies. Roto has grown robustly – organically and consistently.

Our common values represent an identity that has enabled Roto, as a German company, to become a service leader. The value structure of our company is based on three pillars:

- Continuity, consistency and reliability
- Experience, ambition to succeed and vision
- Knowledge, ability and German engineering skills

As a technological pioneer, Roto develops intelligent product solutions that feature impressively precise technology and long service life.

Production and environmental management as well as logistics, irrespective of the manufacturing country, are based on German values such as reliability, thoroughness and vision.

German precision in design and development as well as quality and process management guarantee that we can provide outstanding performance and high-quality services – worldwide.

The consistent implementation of German values in quality specifications and standards ensures that our partners and customers can place their trust in us. This is “german made”.

## Company



The company Roto, based in Leinfelden-Echterdingen near Stuttgart, is a German group of companies that is wholly owned by families descended from the company's founder, Wilhelm Frank.

The group comprises three independent divisions which develop and produce hardware systems, roof windows and stairs for the construction industry and offer sophisticated services relating to windows and doors.

The Roto name has represented an inventive spirit and technological progress in compatible components for the construction industry since 1935.

The Roto Group is active all over the world with an extensive business portfolio and around 5000 employees.

Roto works on the basis of clear management and conduct principles to secure the position of the group as a success story and to ensure continued success.

Roto is inspired by the needs and expectations of customers, whether you are a builder, planner, architect, manufacturer or retailer of windows and doors, or manufacturer or specialist retailer for roofing.

# Roto | Fenster- und Türtechnologie

## Worldwide



## Europe



**Roto Frank Austria GmbH**

Kalsdorf (AT)



**Roto Frank Belarus**

Minsk (BY)



**Roto Frank S.A.**

Zaventem (BE)



**Roto Frank GmbH**

Dietikon (CH)



**Roto Frank Fenster- und Türtechnologie GmbH**

Leinfelden / Velbert (DE)



**Roto Frank Ehitusrautised OÜ**

Tallinn (EE)



**Roto Frank S.A.**

Lliçà de Vall (ES)



**Roto Frank Ferrures S.A.S.**

Saint Avold (FR)



**Roto Elzett Certa Kft.**

Lövő / Sopron (HU)



**Roto Frank Italia**

San Donà di Piave (IT)



**Roto Frank Lithuania**

Vilnius (LT)



**Roto Frank Latvijā**

Jūrmala (LV)





**Roto Frank**  
Warsaw (PL)



**Roto Romania S.R.L.**  
Bucharest (RO)



**OOO Roto Frank**  
Noginsk (RU)



**Roto Frank Ltd. Sti.**  
Istanbul (TR)



**Roto Frank Okucia Budowlane Sp. z o.o.**  
Kiev (UA)



## Asia



**Roto Frank Building Materials Co. Ltd.**  
Beijing (CN)



**Roto Frank Indonesia**  
Jakarta (ID)



**Roto Frank Asia – Pacific Liaison Office India**  
Mumbai (IN)



**Roto Frank Asia-Pacific Pte. Ltd.**  
Singapore (SG)



**Roto Frank Asia-Pacific Pte. Ltd.**  
Hanoi (VN)



## America



**Roto Frank Latina SA**  
Buenos Aires (ARG)



**Roto Frank Brasil Ltd.**  
San Jose (BR)



**Fermax Componentes Ltd.**  
Colombo (BR)



**Roto Fasco Canada Inc.**  
Mississauga, Ontario (CA)



**Roto Frank Chile**  
Santiago (CL)















**Roto Frank of America Inc.**  
Chester (US)



= sales    = production / sales



Information	10	
Roto NX / Roto NT	42	
Roto AL	96	
Roto Outward Opening	130	
Roto Patio Fold	148	
Roto Patio Life	176	
Roto Patio Lift	186	
Roto Patio Alversa	206	
Roto Patio Inowa	242	
Roto Inline	252	
Roto Safe	270	
Accessories	294	



General		Roto Sliding	33
Material	10	Roto Door	34
Opening types	10	Roto Equipment	35
Product features	11		
Surface names	12	Contact	
Surfaces	12	See page	36
Colours	13		
Abbreviations	13		
Copyright protection	14		
Roto Handles			
Design lines	15		
Ten-year performance warranty	16		
Product liability guidelines	17		
Quality assurance requirement	18		
Functionality	21		
Care	24		
Storage conditions			
See page	25		
Environment			
See page	26		
Certifications			
Quality management	27		
International Technology Centre (ITC)	28		
Roto Con Orders			
See page	29		
Roto media portal			
See page	31		
Further Roto products			
Roto Window	32		



# 1 Information

## 1.1 General










### INFO







All dimensions stated in millimetres. Other values are specified.

The following markings are used in this document.

### 1.1.1 Material

Symbol	Meaning
Material	
	Timber
	PVC
	Aluminium
	Timber and aluminium
	Timber and PVC
	Timber, PVC and aluminium
	Timber, timber-aluminium

### 1.1.2 Opening types

Symbol	Meaning
	Turning
	Tilting
	Turning and tilting
	Outwards turning
	Tilting and sliding
	Sliding outwards



Symbol	Meaning
	Sliding
	Folding and sliding
	Lifting

### 1.1.3 Product features

Symbol	Meaning
	Hardware axis
	Description
	DIN
	Distance
	Rebate depth
	Colour code, standard
	Colour code, Roto
	Colour
	Information
	Length
	Material
	Material number
	Maximum
	Minimum
	Surface



Symbol	Meaning
	Roto logo
	Number of screws
	Type of screws
	Security class
	Spindle length
	Depth
	Packaging unit
	Fork length

### 1.1.4 Surface names

Abbreviation	Meaning
anod.	Anodised
powd-c	Powder-coated
wet p	Wet painted
met p	Metallised
galv.	Galvanised

### 1.1.5 Surfaces

#### Anodising method (anod.)

A surface technology process for creating an oxidic protective layer on aluminium through anodic oxidation. Through conversion of the top metal layer, this produces a thin oxide layer of 5 to 25 micrometers which protects deeper layers from corrosion as long as there are no gaps in this layer, for example due to mechanical damage.

#### Powder coating (powd-c)

With the powder coating, an electrically charged powder cloud is firstly created. The charged particles are transported to the workpiece surface. This is where they accumulate, electrostatically adhere and form the powder coating layer. When the workpiece is then heated, the paint particles of the powder coating melt to form a homogeneous surface.

#### Wet coating

With this coating method, the liquid spray material is sprayed using compressed air. This creates a gentle jet of coating with minimal paint mist. This method is ideal for low and extra-low quantities. The quantity of material applied can be tailored to the object to be coated and the spray material extremely precisely and flexibly.

#### Metal-plating (met p)

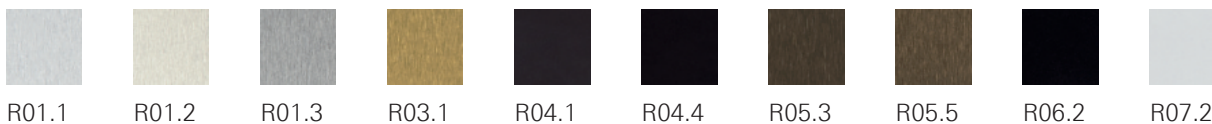
Electroplated metallic top layer for an especially decorative appearance and corrosion protection. Only use components with this surface in indoor areas.



## 1.1.6 Colours

Colour code, Roto	Colour code, standard	Colour
R01.1	–	Natural silver
R01.2	–	Nickel silver
R01.3	–	Titanium
R01.4	–	Chromium
R01.5	–	Silver
R02.2	RAL 7016	Anthracite grey
R03.1	–	Brass matt
R03.2	–	Brass, polished
R03.3	–	Gold
R03.4	–	Stainless-steel design
R04.1	RAL 8019	Grey brown
R04.3	–	Olive brown
R04.4	RAL 8022	Black brown
R05.3	–	Medium bronze
R05.4	–	Dark bronze
R05.5	–	Bronze
R06.2M	RAL 9005, matt	Jet black, matt
R06.2	RAL 9005	Jet black
R06.4M	–	Black, matt
R07.1	RAL 9010	Pure white
R07.2	RAL 9016	Traffic white
R07.3	RAL 9001	Cream
SP. COL.	SP. COL.	Special colour
Untreated	Untreated	Uncoated

### Colour examples



R01.1 R01.2 R01.3 R03.1 R04.1 R04.4 R05.3 R05.5 R06.2 R07.2



### INFO

Colours may deviate in the illustration.

## 1.1.7 Abbreviations

Abbreviation	Meaning
HA	Hardware axis
DIN L / R	DIN left / right
T&T	Tilt&Turn hardware
Anod.	Anodised
SRW	Sash rebate width
SRH	Sash rebate height
S.kg	Sash weight
Y	Yes
VT	Vertical tilting
KU	Couplable
met p	Metal-plated
mm	Millimetres
CL	Centre lock
N	No
wet p	Wet-painted
Nm	Newton metres



Abbreviation	Meaning
LMD	Lifting mishandling device
Not sh.	Not shown
powd-c	Powder-coated
RC	Resistance class
SEC	Security
NDHS	Narrow door handle set

### 1.1.8 Copyright protection

The contents of this document are copyright-protected. This content can be used when working with the hardware. Any other use is not permitted without written permission of the manufacturer.

## 1.2 Roto Handles

### 1.2.1 Design lines

Roto offers an extensive range of handles in various colours and technical variants for every product range.



#### Roto Line

Roto Line promises a classic appearance in its most attractive form.

The combination of the harmonious line layout and high-quality aluminium elements ensures convenient handle operation.



#### Roto Swing

Roto Swing impresses as an exclusive and individual design element.

The continuous further development of the window handles underlines the successive transformation from a simple handle to a visible highlight on the window.

In addition to the high level of operating convenience and the long-lasting quality and functionality, the unusual shaping is a focal point.

The curved design of the Roto Swing is what gives it the special "swing" – providing advantages when it comes to appearance and ergonomics at the same time.



#### Roto Samba

Roto Samba strikes the perfect balance between a classic and modern appearance.

According to the design principle of "form follows function", the Roto Samba boasts a perfect ergonomic shape with the back of the handle having a semicircular form and the front being curved for resting your thumb there. A recess for the index finger ensures a defined handle position and makes the handle comfortable to hold.

This means that the handle can be conveniently gripped in any position and is therefore easy to use.



#### Roto Freestyle

Roto Freestyle promises a modern appearance in its most attractive form.

The combination of the dynamic line layout and high-quality aluminium elements ensures convenient handle operation.



## 1.2.2 Ten-year performance warranty

A high-quality Roto product always signifies the fulfilment of a quality promise made to our customers. The best proof of this is a ten-year performance warranty for many of our door and window handles (if the relevant maintenance guidelines are adhered to; please refer to the following guideline → *from page 17*).

Using multiple tests, these Roto door and window handles are checked to ensure that they function permanently without any problems. Endurance tests and static load tests which realistically reconstruct the demanding “everyday” use of a door and window handle are carried out depending on requirements, with some of these tests even exceeding the tests and requirements stipulated by RAL-GZ 607/9.

The handles are tested on their own in the test cycles as part of the durability test in accordance with RAL-GZ 607/9. Operation of door and window handles (in corresponding operational cycles) is tested on the products in which these handles are installed (door and window element) under realistic conditions. This means that, besides purely the actuation function, the durable connection between the handle and the product in which it is installed is also tested.

By offering a ten-year performance warranty, Roto by far exceeds the two-year warranty period stipulated by the German Civil Code (BGB) and the four-year warranty period required by German Construction Contract Procedures (VOB) in the property sector.

### Warranty service

Beyond the statutory liability for defects on the part of the seller, Roto guarantees that door and window handles that are used properly will remain fully functional if the requirements below are met. The warranty covers the function of Roto door and window handles and includes all defects that are verifiably caused by production or material defects.

The performance warranty covers the following features:

- Transfer of the turning movement to the door lock or the window's Tilt&Turn hardware
- Blocking mechanism (on window handles with the following special functions: lockable, automatic locking, Secustik®)

### Warranty exclusion

All individual parts which can be replaced, e.g. screws, connecting pins, etc., are excluded from this warranty. Furthermore, no liability shall be accepted for damage or loss caused by:

- Unsuitable or improper use,
- Incorrect or negligent treatment,
- Failure to follow installation and care instructions, making changes and attempts by the warrantee to carry out repairs themselves,
- Chemical and physical influences on the material surface that do not occur when the product is used as intended, e.g. damage caused by sharp objects,
- Elements which are not in proper working order (door, window) and / or hardware components (e.g. lock, hinge, etc.)

### Warranty conditions

Our warranty service consists exclusively of repairing the product free of charge or supplying a replacement free of charge that is equivalent to or is the same type and same value as the previous handle. This service is provided to the first end customer within the warranty period at our discretion. Costs, fees, postage and similar charged to the warrantee shall not be reimbursed. The warranty claim is only valid on presentation of the product and proof that the defect in functionality occurred within the warranty period. This proof can be provided by presenting the proof of purchase in particular. We therefore recommend keeping your proof of purchase in a safe place at least until the warranty period expires.

### Warranty period

The warranty period is ten years for handles covered by our quality promise and begins on the day the handle is purchased by the first end consumer. In the event of complaints, please contact the seller or manufacturer directly, presenting the product and your proof of purchase.

### 1.2.3 Product liability guidelines

In accordance with the German Product Liability Act (Produkthaftungsgesetz), Roto as a manufacturer is liable for ensuring that its products offer the expected level of safety and security after being presented. In this regard, the following specifications, as well as the content and information in the additional referenced documents, must be observed. Failure to observe these discharges Roto from its liability.

#### Product information

Roto handles are hardware components which can be used to carry out opening and closing movements and/or blocking processes on balcony doors and window elements in high-rise buildings / residential buildings. The mounting material supplied must strictly be used.

When installing hardware components in aluminium profiles, Roto recommends using mounting material which is made from stainless steel or has a zinc flake coating. Contact corrosion may occur if different mounting material is used.

Products used in harsh, corrosive environments are special hardware components; they may only be used after prior consultation with Roto.

#### Stipulated use

A locking system is only used as stipulated if

- The locking system is put together correctly by experts and consists of permissible hardware, locking components (e.g. key, cylinder) and accessories (e.g. striker plate),
- The information, instructions and notes contained in these guidelines, this catalogue and other technical documents are observed,
- The applicable mandatory legal provisions and standards are complied with,
- The locking system is installed by experts, taking into account the information, instructions and notes provided by Roto for this purpose, and
- The maintenance and care instructions are followed.

The length of time for which a product remains fit for use depends on

- How often it is used,
- The way in which it is used,
- Environment and care.

A handle must be replaced if, despite maintenance and care work being carried out, the function can no longer be guaranteed or if the surface poses a risk of injury.

The locking systems are configured for mounting profile cylinders.

The locking systems are not suitable for adapting to shape changes and changes to the sealing closure as a result of temperature differences or changes to the building.

The specific hardware as a whole (locking system) must be put together from genuine Roto parts by experts. If third-party parts are also used, Roto assumes no liability for any resultant malfunctions or damage.

Windows and balcony doors for wet rooms and for use in environments with aggressive, corrosive constituents in the air require special hardware.

#### Misuse (incorrect handling or handling contrary to the stipulated use)

If the stipulated use is not complied with, this constitutes misuse or incorrect use of the product, which discharges Roto from its liability.

This applies to the following cases in particular:

- Auxiliary tools are used for operation (e.g. pliers or added-on lengths of pipe),
- Additional loads (retaining forces and support forces) are introduced (e.g. placing an object beneath a door handle to block the door),
- Forces exceeding standard hand force impact the handle (e.g. attempting to prevent blocking of the Tilt&Turn hardware using increased force or using door handles for support, e.g. in the case of children),
- External objects and/or objects not suitable for the door are introduced (e.g. pins from third-party manufacturers or a combination of product parts from third-party manufacturers with those from Roto),



- Incidents occur which affect functionality (e.g. attempts to break in or out using tools on lockable window handles),
- The surface is damaged by sharp objects,
- The introduction of external and/or unsuitable objects into the hardware system or the striker plate prevents them from operating properly,
- Work is performed on the hardware system or striker plate or they are otherwise impaired in such a way that the structure, mode of operation or correct functioning is impacted.

Please refer to the product-specific documents for more information on misuse.

### Product maintenance

Ensure that the hardware components and mounting material are fitted correctly so that they function properly.

Maintenance must be performed on all movable parts at least once per year – or more often depending on use.

Hardware systems must be treated with care products recommended by Roto depending on use.

As a general rule, they must never be treated with strong acids or alkalis. Contamination with mortar and similar materials must always be avoided. Only cleaning agents which do not contain any corrosive substances should be used.

### Duty to provide information and issue instructions

The following documents are available to provide information to dealers, planning engineers, architects, advisory institutes, fabricators, builders and users:

- Catalogues and brochures,
- Texts for invitation of tenders,
- Purchasing information,
- Quotation documents,
- Installation, operation and care instructions.

Roto is also on hand to give advice if required.

For selecting Roto hardware systems and for installation, operation and care,

- architects, planning engineers and advisory institutes are obligated to request all of the necessary product information from Roto and to observe this information;
- specialist dealers are obligated to observe the product information and instructions in the documents and, in particular, to request all of the necessary instructions from Roto and to pass these on to the fabricators;
- fabricators are obligated to observe all production information and, in particular, to request operation and care instructions from Roto and to pass these on to the customers and users.

## 1.2.4 Quality assurance requirement

Significant (directive) for window hardware systems are RAL-GZ 607/9 and the DIN standards DIN EN 13126-3 and DIN 18267.

The European standard DIN EN 13126 consists of 19 parts. It deals with hardware for windows and balcony doors. Part 3 of this standard series has been completely reworked (edition February 2012). Using a 9-digit classification key (see → *from page 19*), it defines requirements and test procedures for operating handles, particularly for Tilt&Turn, Tilt-First and Turn-Only hardware.

In the first place of the classification key, two utilization categories of operating handles have been introduced whilst considering different quality levels in Europe. The higher grade 2 represents the known and established product characteristics of previous RAL window handles. The seventh position defines 3 grades for the protective effect of lockable window handles. It was designed according to the requirements of the European standard for burglary-inhibition DIN EN 1627.

The European standard does not set requirements for the dimensions of the window handles. These are prescribed in DIN 18267 (e.g. spindle 7 mm, inside micrometer of the screw fixing 43 mm).

The reworked DIN EN 13126-3 forms the foundation of the newly established quality guideline RAL-GZ 607/9 (version September 2012). For this, it is a minimum requirement that window handles correspond to grade 2 of the utilization



category and grade 2 or 3 of the protection effect (see tables → *from page 19*). Aside from this, now RAL-GZ 607/9 makes the following distinctions:

### 1.2.4.1 RAL

Window handles with RAL-capable lock-in position, at least 10,000 Tilt&Turn cycles, at least 48 h corrosion resistance in a salt spray test.

#### RAL – Minimum requirements in accordance with DIN EN 13126-3:

Utilization category	Durability (long-term functional tests)	Mass	Fire resistance	Utilization safety	Corrosion resistance	Protection effect	Application	Test size
2	3/180	-	0	1	2	0/0	3/C1	-

### 1.2.4.2 RAL100

Lockable or bar-able window handle with RAL-capable lock-in position, at least 10,000 Tilt&Turn cycles, at least 48 h corrosion resistance in a salt spray test, 100 Nm resistance against twisting off and ripping off, deadbolt or locking mechanism with at least 100 possible locking variations.

#### RAL100 – Minimum classification according to DIN EN 13126-3:

Utilization category	Durability (long-term functional tests)	Mass	Fire resistance	Utilization safety	Corrosion resistance	Protection effect	Application	Test size
2	3/180	-	0	1	2	2/r1[1]	3/C1	-
2	3/180	-	0	1	2	2/r3[2]	3/C1	-

### 1.2.4.3 RAL200

Lockable or bar-able window handle with RAL-capable lock-in position, at least 10,000 Tilt&Turn cycles, at least 48 h corrosion resistance in a salt spray test, 200 Nm resistance against twisting off and ripping off, deadbolt or locking mechanism with at least 100 possible locking variations.

#### RAL200 – Minimum classification according to DIN EN 13126-3:

Utilization category	Durability (long-term functional tests)	Mass	Fire resistance	Utilization safety	Corrosion resistance	Protection effect	Application	Test size
2	3/180	-	0	1	2	3/1	3/C1	-
2	3/180	-	0	1	2	3/3	3/C1	-

### 1.2.4.4 Classification key in DIN EN 13126-3

#### 1st digit: Category of use

##### Grade 1

Click torque before and after durability testing	Between-clicks torque $M_0 \leq 1.4 \text{ Nm}$ Click-out torque $M_a \leq 6.0 \text{ Nm}$ Difference $M_d \geq 0.4 \text{ Nm}$
Free play perpendicular or parallel to the mounting plane	$\Delta \leq 6.0 \text{ mm}$
Torsional strength 220 N/85 mm/30 s	Permissible deformation $\Delta \leq 5.0 \text{ mm}$
Tensile strength of spindle joining	$F \geq 100 \text{ N}$
Eccentric tensile strength	$F = 1200 \text{ N}$

##### Grade 2

Click torque before and after durability testing	Between-clicks torque $M_0 \leq 0.8 \text{ Nm}$ Click-out torque $M_a \leq 4.0 \text{ Nm}$ Difference $M_d \geq 0.8 \text{ Nm}$
--	---

[1] Deadbolt mechanism

[2] Locking mechanism



Free play perpendicular or parallel to the mounting plane	$\Delta \leq 4.0$ mm
Torsional strength 220 N/85 mm/30 s	Permissible deformation $\Delta \leq 2.0$ mm
Tensile strength of spindle joining	$F \geq 100$ N
Eccentric tensile strength	$F = 1200$ N

### 2nd digit: Durability

Grade 3/90	10,000 turn-only cycles
Grade 4/90	15,000 turn-only cycles
Grade 5/90	25,000 turn-only cycles
Grade 3/180	10,000 tilt and turn cycles
Grade 4/180	15,000 tilt and turn cycles
Grade 5/180	25,000 tilt and turn cycles

### 3rd digit: Mass

No requirement according to the main section of EN 13126-1

### 4th digit: Fire resistance

No requirement according to the main section of EN 13126-1

### 5th digit: Safety in use

Grade 1 in accordance with main section of EN 13126-1

### 6th digit: Corrosion resistance

Minimum grade 2 of EN 1670, in accordance with main section of EN 13126-1

### 7th digit: Security

(in accordance with additional test parameters)

Grade 0	Without security
Grade 1	35 Nm resistance against twisting-off and forcing-off
Grade 2	100 Nm resistance against twisting-off and forcing-off
Grade 3	200 Nm resistance against twisting-off and forcing-off
Extension 0	No locking mechanism
Extension 1	Non-keyed locking mechanism
Extension 2	Keyed locking mechanism with $\leq 99$ locking varieties
Extension 3	Keyed locking mechanism with $\geq 100$ locking varieties

This results in the following possible combinations for the 7th digit:

0/0	Without security/without locking mechanism
1/1	35 Nm resistance against twisting-off and forcing-off/non-keyed locking mechanism
1/2	35 Nm resistance against twisting-off and forcing-off/keyed locking mechanism with $\leq 99$ locking variations
1/3	35 Nm resistance against twisting-off and forcing-off/keyed locking mechanism with minimum 100 locking variations
2/1	100 Nm resistance against twisting-off and forcing-off/non-keyed locking mechanism
2/2	100 Nm resistance against twisting-off and forcing-off/keyed locking mechanism with $\leq 99$ locking variations
2/3	100 Nm resistance against twisting-off and forcing-off/keyed locking mechanism with minimum 100 locking variations
3/1	200 Nm resistance against twisting-off and forcing-off/non-keyed locking mechanism



3/2	200 Nm resistance against twisting-off and forcing-off/keyed locking mechanism with $\leq 99$ locking variations
3/3	200 Nm resistance against twisting-off and forcing-off/keyed locking mechanism with minimum 100 locking variations

### 8th digit: Application

Applicable part of this European standard: Grade 3

Application N	No click function
Application C	Click function
Type 1	Window handle
Type 2	Geared window handle

This results in the following possible combinations for the 8th digit:

3/N1	Part 3/no click function/window handle
3/N2	Part 3/no click function/geared window handle
3/C1	Part 3/with click function/window handle
3/C2	Part 3/with click function/geared window handle

### 9th digit: Test size

No requirement

### Example:

Category of use	Durability	Mass	Fire resistance	Safety in use	Corrosion resistance	Security	Application	Test size
2	3/180	-	0	1	Brass surface (polished / painted) grade 4	0/0	3/C1	-

### Explanation:

1. Handle with category of use grade 2
2. Tested with 10,000 tilt and turn cycles
3. No requirements for window mass (not requested)
4. No requirements for fire resistance (not requested)
5. Safety in use grade 1 (only provided as such)
6. Corrosion resistance grade 2 according to DIN EN 1670 (corresponding to 48 h in neutral salt spray test)
7. 200 Nm resistance against twisting-off and forcing off and a keyed locking mechanism with at least 100 locking variations
8. Application as window handle with click mechanism
9. No requirements for window test size (not requested)

## 1.2.5 Functionality

### 1.2.5.1 Lockable window handle

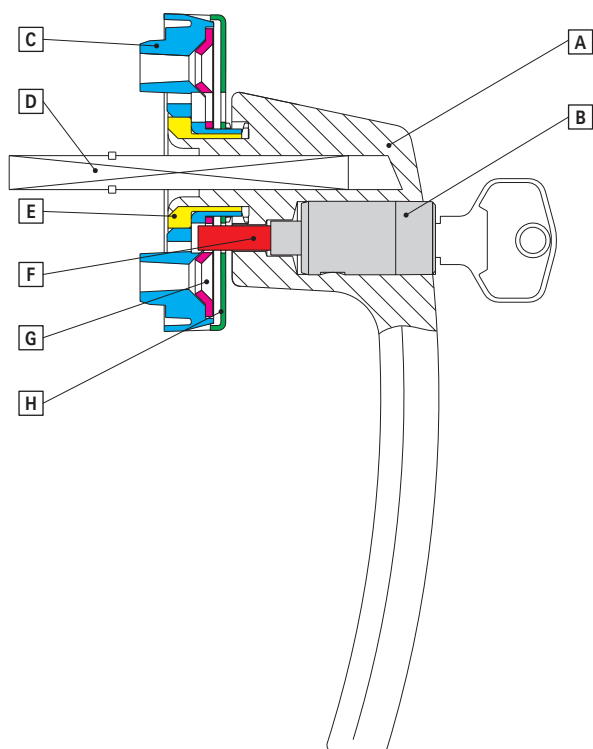
Roto lockable handles 100 Nm – the convenient security grade:

- Lockable window handle tested to a torque of 100 Nm<sup>[3]</sup>: high mechanical security that provides good burglary protection
- Combined with a suitable window element, it meets the requirements of all resistance classes RC 1–6
- Very convenient due to large turn-key and easy to use push cylinder
- Locks the closed or tilted window rapidly and simply “at the push of a button”

[3] 1 Nm (Newton metre) is the torque which generates a force of 1 N at the pivot point of a lever of 1 m length.



- Meets the requirements of the European standard DIN EN 1627–1630 and can therefore be marketed in all EU member states



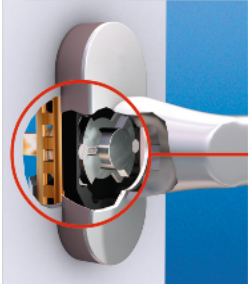
Assignment	Meaning
[A]	Window handle
[B]	Locking cylinder with turn-key
[C]	Escutcheon-cover body
[D]	Spindle
[E]	Stop-notch bushing
[F]	Locking pin
[G]	Locking plate
[H]	Cover cap

### 1.2.5.2 Secustik®

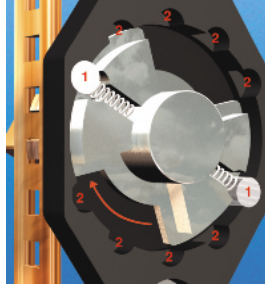
Secustik® is a registered trademark of HOPPE Holding AG. Secustik® window handles are equipped with a patented blocking mechanism as part of the integrated basic security. This prevents manipulating the window hardware from the outside. A swivel clutch between the handle and the spindle acts in this case as a “mechanical diode”. It permits normal operation of the window handle from the inside, blocks the handle however if somebody attempts to manipulate the window handle via the hardware from the outside. During the Secustik® handles 180° operation from the

locking mode to the tilting mode, the self-locking blocking mechanism engages into the different handle positions with a distinct click. This click emphasises the outstanding plus in security.

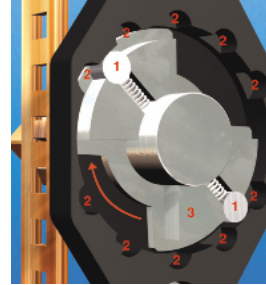
### This is how the Secustik® technology works



Secustik® window handles patented blocking mechanism

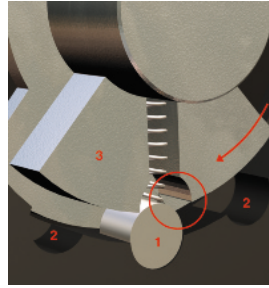


When turning the window handle, the spring-loaded safety pins [1] engage into special recesses in the housing [2] with a distinct click.

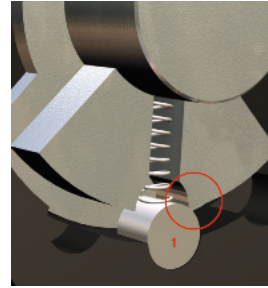


During the turn movement, the safety pins [1] are moved along the swivel clutch [3] into further recesses [2] where they again audibly engage.

### Secustik® technology effectively prevents attempted break-ins



In the case of an attempted break-in, the safety pins [1] are pushed through a second swivel clutch [3] into the housing recesses [2].



In this position, the safety pins [1] effectively prevent turning the window handle from the outside. The window handle blocks and prevents the attempted break-in.



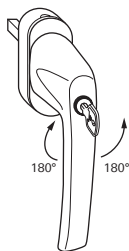
### 1.2.5.3 Tilt-First

#### Locking and unlocking

The key locks or unlocks the handle. If the handle is unlocked, it can be moved freely.

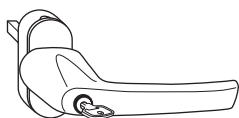
**Lock:** Turn the key 180° counterclockwise.

**Unlock:** Turn the key 180° clockwise.



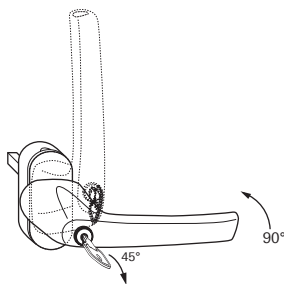
#### Tilt:

Turn the unlocked handle 90° (tilt mode = horizontal), in order to tilt the window. Without the key, the handle cannot be turned and brought into the turn mode (vertical).



#### Turn:

Precondition: The handle is in the tilt mode (horizontal) when the window is closed. Turn the key 45° and hold; simultaneously turn the handle 90° and bring it into the turn mode (vertical). Tilt-First handles should only be operated when the window is closed.



The lockable Roto Tilt-First handle (tilt before turn) locks the window sash in the tilt mode, with the handle in the horizontal position. The lockable handle prevents the possibility of changing from tilting to turning in order to fully open the window. This is only possible after unlocking.

The handle is equipped with a free-running mechanism between the locked position and the tilted position (unlocking the cylinder is not necessary) in order to enable ventilating. A blocking mechanism is located at the limit-stop of 90° tilt position. Continuing to move the handle into the 180° turn position is only possible after unlocking the cylinder.

Furthermore, the handle can be locked in the 0° locked position, thus providing an additional burglar-inhibiting security function. In addition, this innovative handle is equipped with a unique automatic locking function that blocks the opening operation in the 180° turn mode, without locking the cylinder. Important: The Tilt-First (TF) function can only be ensured with Tilt-First hardware or T&T hardware dedicated for this usage.

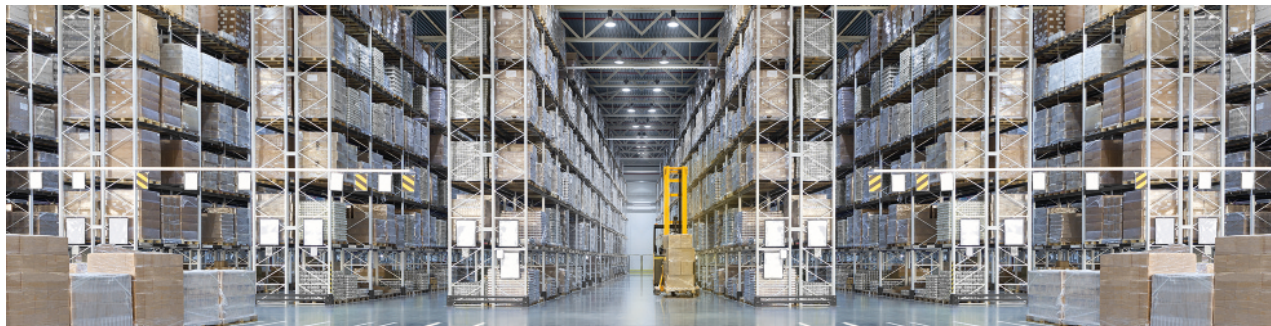
Each Roto TF window-handle package contains a sticker with information on the Tilt-First function.

### 1.2.6 Care

Hardware systems should be treated with maintenance agents recommended by Roto – depending on demand. Contamination with plaster and similar materials must be avoided in every case. Only cleaning agents which do not contain corrosive materials should be used. Do not treat with strong acids and alkaline solutions.



## 1.3 Storage conditions



### Protecting components against dirt and dust

Always keep the containers closed, and always cover open hardware containers or goods stored open (i.e. with a layer of cardboard).

### Protecting components against mechanical damage

Only transport and handle the containers using suitable means of transport or conveyance (forklifts, lifting devices and roller belts, etc.). Only stack pallets and cardboard boxes (during transport) to the maximum height specified in the printed instructions on the packaging.

### Protecting components against direct moisture and wet

The packaging must remain dry and the components must not get wet. This applies to storage and transport, as well as for unloading and loading procedures. Where appropriate, plastic protective sheets or similar are to be used during outdoor transport (i.e. on-site transport) when raining.

Only store components in suitable closed rooms and not outdoors. Condensation must absolutely be avoided during the entire duration of transport and storage.

### If containers nevertheless get wet...

Immediately unpack the components from the wet containers, dry the components and check for damage (signs of corrosion). In any case, repack the usable components when dry with new packaging material

i

## 1.4 Environment



### Environmental compatibility of the hardware components

Our objective is to succeed in manufacturing our hardware components with the lowest possible consumption of energy and operating resources, and we strive to produce extremely durable hardware components. To achieve this, we conserve natural resources, minimise energy consumption and use raw materials in an environmentally friendly manner.

### Environmental impact resulting from the hardware

The surface quality of our treated surfaces is abrasion-resistant. No environmental pollution is caused by hardware components when the stipulated use is complied with.

### Environmental compatibility of the packaging

We use recyclable disposable packaging made of reinforced cardboard, steel strapping, PVC packaging tape, PE sheeting, timber frames, single-use wooden pallets, cable ties, elastomer cord as well as reusable packaging, reusable boxes from Schäfer, pallet crates and EURO wooden pallets.

### Environmental compatibility of disposal

Our hardware is made of materials which enable environmentally friendly material utilisation and can be disposed of as mixed scrap.

### Returning packaging material

Our packaging with the INTERSEROH logo is accepted free of charge by every INTERSEROH disposal partner. The directory of your local disposal partners can be requested nationwide from the telephone exchange of ISD INTERSEROH GmbH in Cologne using the following telephone number: +49 2203 9147-322. The Roto INTERSEROH number is 25582.



## 1.5 Certifications

### 1.5.1 Quality management

The certification in accordance with the international standard DIN EN ISO 9001 certifies that Roto plans, documents and appropriately implements the entire development, production and sales process systematically. Starting with development and design through to quality planning, production and assembly right through to sales and customer service.

The certification is an external indication of the quality awareness practised at Roto:

- Roto's objective is to ensure continuous product and service improvements for the benefit of its customers.
- Roto offers its customers innovative, environmentally friendly and technically sophisticated architectural hardware technology.
- Roto products are supplied punctually worldwide with constant guaranteed quality.
- Roto's comprehensive view regards all business activities – including all the activities within the company – to be the key to achieving long-term corporate success.
- Roto employees are supported in their personal development and fulfil Roto's high quality requirements in their day-to-day work. Their work is performance and goal-oriented.

# Zertifikat

Zertifikatsnummer: 791IFT-9004105-1-1

**Umfang**  
Qualitätsmanagementsystem DIN EN ISO 9001:2015

**Unternehmen (Zentrale)**  
**Roto Frank Fenster- und Türtechnologie GmbH**  
Wilhelm-Frank Platz 1  
DE - 70771 Leinfelden-Echterdingen

**Geltungsbereich der Zentrale**  
**Entwicklung, Konstruktion, Herstellung und Vertrieb von Fenster- und Türentechnologie und Komponentenfertigung**

**weitere Standorte**  
Siehe Anlage zum Zertifikat

**Standort-Bestimmungen**  
Dieses Zertifikat wurde im Rahmen der Standortregelung erteilt. Die übergeordnete Firma (Zentrale) trägt die Verantwortung für die Aufrechterhaltung und Weiterentwicklung der Managementsysteme im benannten Umfang sowie die Steuerung der zentralen Aufgaben.

**Grundlagen**  
Im Zertifizierungsaudit wurde der Nachweis erbracht, dass das Unternehmen inklusive aller auf diesem Zertifikat benannten Standorte ein Qualitätsmanagementsystem entsprechend DIN EN ISO 9001:2015 „Qualitätsmanagementsysteme – Anforderungen“ eingeführt hat und anwendet.

**Prof. Jörn P. Lass**  
Institutsleiter  
**ift Rosenheim**  
18.05.2021

**Christian Kehrer**  
Leiter der ift-Zertifizierungs- und Überwachungsstelle

Zertifizierungsaudit: Mai 2021  
Vertragsnummer: 791 9004105  
Gültig bis: 17.05.2024

**Grundlage(n):**  
ISO 9001

**Gültigkeit**  
Die Gültigkeitsdauer des Zertifikates beträgt drei Jahre. In dieser Zeit wird die Firma durch jährlich stattfindende Audits überwacht. Das Zertifikat ist nur in Verbindung mit dem dazugehörigen Zertifizierungs- und Überwachungsvertrag gültig. Alle Änderungen der Voraussetzungen für die Zertifizierung sind dem ift-Zert mit dem erforderlichen Nachweisen unverzüglich schriftlich anzuzeigen.

**Veröffentlichungshinweise**  
Das Zertifikat darf nur unverändert vervielfältigt werden. Es gelten die Bestimmungen der „Allgemeinen Bedingungen für die Zertifizierung von Managementsystemen“

Das Unternehmen ist berechtigt, das „ift-zertifiziert“-Zeichen gemäß der ift-Zeichensatzung zu nutzen.

www.ift-rosenheim.de

ift Rosenheim GmbH  
Theodor-Strüb Str. 7-9  
D-83078 Rosenheim

Kontakt  
Tel: +49 89 381 261-0  
Fax: +49 89 381 20 290  
www.ift-rosenheim.de

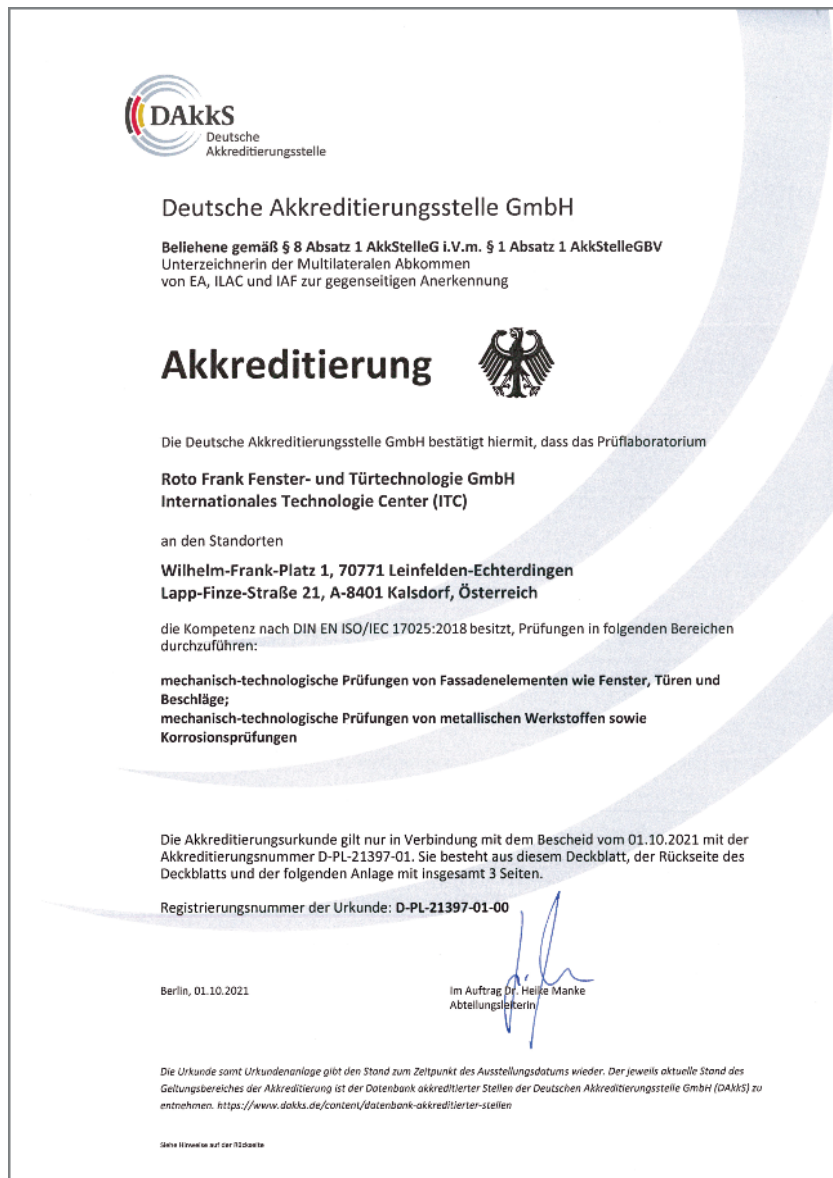
Prüfung und Kalibrierung – EN ISO/IEC 17025  
ISO 9001 – EN ISO/IEC 17023  
Zertifizierung Personelle – EN ISO/IEC 17024  
Zertifizierung Managementsysteme – EN ISO/IEC 17021

www.dakks.de  
© 2014 IFT-ROSENHEIM



## 1.5.2 International Technology Centre (ITC)

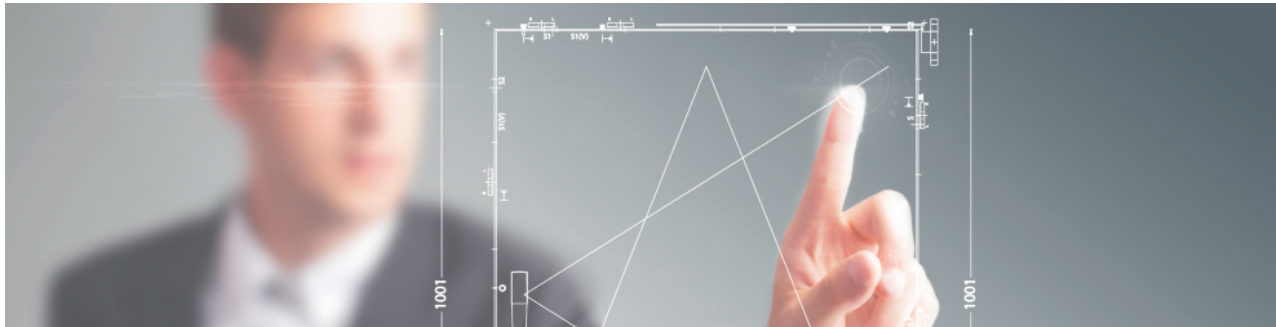
Roto has owned a modern International Technology Centre (ITC) at its Leinfelden headquarters since October 1996. This facility is available for both our own material and product testing as well as for inspecting finished products made by Roto market partners.



The ITC is accredited in accordance with DIN EN ISO / IEC 17025 and has the expertise required to perform tests in areas including mechanical technological testing of facade elements such as windows, doors and hardware, as well as metallic materials.

Achieving accreditation in accordance with DIN EN ISO / IEC 17025 represents the highest distinction for a test institute in the private sector. The requirements for this are an extensive quality management system, trained personnel, high-quality test rigs and measuring instruments, as well as continuous external monitoring by the accreditation authorities.

## 1.6 Roto Con Orders

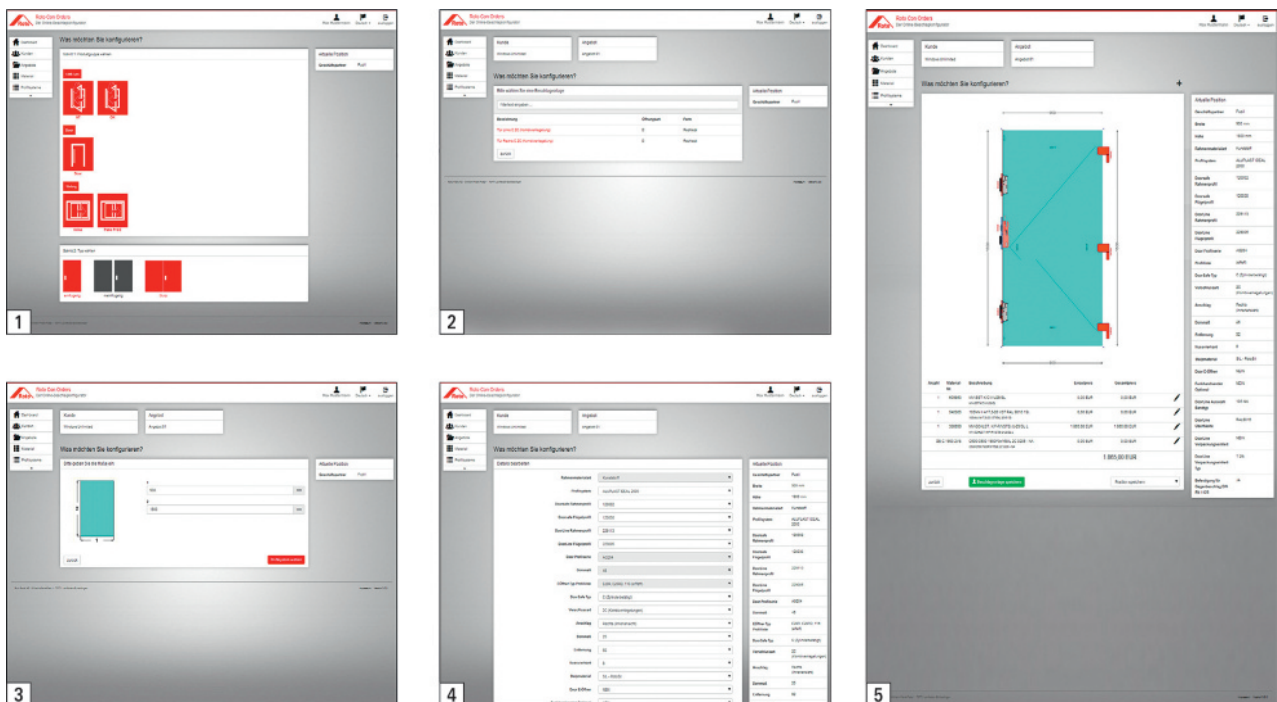


### Just four steps for a finished parts list

Roto Con Orders is the perfect solution for window and door manufacturers, and for dealers. This is because with the high-performance online hardware configurator, an individual configuration of window and door hardware can be generated very easily and in an extremely short time – for all common shapes and opening types. Just a few mouse clicks and a couple of numeric entries, and the individual parts list including a technical illustration of the hardware itemising is finished. The list can be changed, adapted or personalised as desired. It can be exported in various data formats, enabling it to be used for individual offers or orders. Benefit from this efficient Roto online tool, save time during configuration, management and ordering – with Roto Con Orders.

### Hardware configuration has never been this easy

With intuitive menu guidance, you generate an optimum parts list in just four steps:



1. Selection of the product group
2. Selection of the design template
3. Entry of sizes
4. Individual detailed settings and adaptations
5. **Result:** output of a detailed data sheet with a technical illustration and a complete parts list with editable order numbers, descriptions and individual and total prices.



### **Intelligent additional functions simplify your processes**



Roto Con Orders makes it easy for you to simplify and accelerate your processes. A large number of useful functions are available to help you do this:

- Store your own company addresses and logos in the header of your offers
- Create and manage customer-specific projects
- Generate individual customer hardware templates
- Integrate a discount structure system
- Material master management
- Due to its responsive design, it can be used on all devices such as PCs, tablets, and smartphones

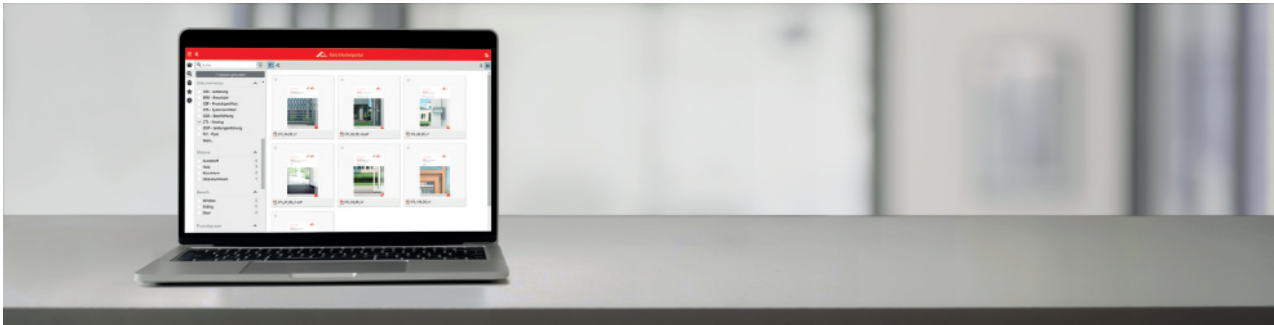
### **Get started straight away thanks to web-based solution**

Roto Con Orders is a web-based solution that you can access around the world and around the clock. You only require a computer with a web browser and Internet access for this purpose. To work with the online hardware configurator, please register once with your e-mail address in the portal for dealers and manufacturers at:



[www.roto-frank.com](http://www.roto-frank.com)

## 1.7 Roto media portal



### Simple and quick

The Roto media portal is where all media is available, such as catalogues, installation instructions, brochures and interactive installation videos. Access to this portal is optimised for PCs, laptops and mobile devices.

The clear user interface and the numerous search options ensure that all available media can be found simply and quickly. Content can be read directly in the Roto media portal or downloaded for later.

The Roto media portal can be accessed via the “Downloads” link in the “Service” main menu item on the Roto website or directly using the links below.



[www.roto-frank.com](http://www.roto-frank.com)



## 1.8 Further Roto products

### 1.8.1 Roto Window

**Tilt&Turn** – Tilt&Turn hardware systems for windows and balcony doors

#### Timber and PVC



##### Roto NX

The Tilt&Turn hardware system for windows and balcony doors shaping the industry once again



##### Roto NT

The world's biggest selling Tilt&Turn hardware system for windows and balcony doors

#### Aluminium



##### Roto AL

Universal hardware for aluminium windows and balcony doors



##### Roto AL Designo

Concealed hardware for aesthetic aluminium windows and balcony doors

**Outward Opening** – Hardware systems for outward opening windows



##### Roto FS Kempton

Stainless-steel friction stays for outward opening windows



##### Roto PS Aintree

Parallel stainless-steel friction stays for outward opening windows



##### Roto FRH Uni

Fully reversible hinges for outward opening windows

## 1.8.2 Roto Sliding

**Roto Patio** – High-quality sliding windows and doors



**Roto Patio Fold**

Premium hardware for Fold&Slide systems with a large surface



**Roto Patio Life**

Comfort hardware for large sliding doors



**Roto Patio Lift**

Hardware for versatile use in Lift&Slide systems



**Roto Patio Alversa**

Universal hardware for minimum effort in Parallel Sliding and Tilt&Slide systems



**Roto Patio Inowa**

Intelligent hardware for tightly sealed sliding systems

**Roto Inline** – Basic sliding windows and doors



**Roto Inline**

The hardware system for basic sliding windows and sliding doors





## 1.8.3 Roto Door

**Roto Safe** – The modular multipoint locking system for doors



**Roto Safe H**

Mechanical multipoint lockings for lever-handle-operated doors



**Roto Safe C**

Mechanical multipoint lockings for cylinder-operated doors



**Roto Safe A**

Mechanical-automatic multipoint lockings for doors



**Roto Safe E**

Electromechanical multipoint lockings for doors



**Roto Safe P**

Mechanical multipoint lockings for escape and panic doors

**Roto Solid** – Comprehensive range of door hinges



**Roto Solid S**

Screw-on hinges for doors



**Roto Solid B**

Butt hinges for doors



**Roto Solid C**

Concealed hinges for doors

**Roto Eifel** – Thresholds for doors and balcony doors



**Roto Eifel**

Tailor-made range of thresholds for tightly sealed accessible doors and balcony doors

## 1.8.4 Roto Equipment

### **Drive&Control** – Electronic components for windows and doors



**Roto E-Tec Drive**  
The concealed drive for windows



**Roto E-Tec Control**  
Wired sensors for security technology and room climate



**Roto Com-Tec Sensor**  
Wireless sensors integrated in hardware for home security

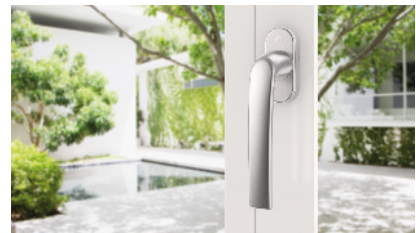
### **Handles** – Handles for all opening types



**Roto Swing**  
The modern handle line



**Roto Line**  
The classic handle line



**Roto Samba**  
The classic yet modern handle line



**Roto Freestyle**  
Solutions for all opening types

### **Fix&Glazing** – Installation and glazing solutions for windows and doors



**Roto Glas-Tec**  
Customised solutions for safe glazing



## 1.9 Contact

### **Roto Frank**

#### **Fenster- und Türtechnologie GmbH**

Wilhelm-Frank-Platz 1

70771 Leinfelden-Echterdingen

Germany

Phone +49 711 7598 0

Fax +49 711 7598 253

[info@roto-frank.com](mailto:info@roto-frank.com)

[www.roto-frank.com](http://www.roto-frank.com)



## Roto NX / NT





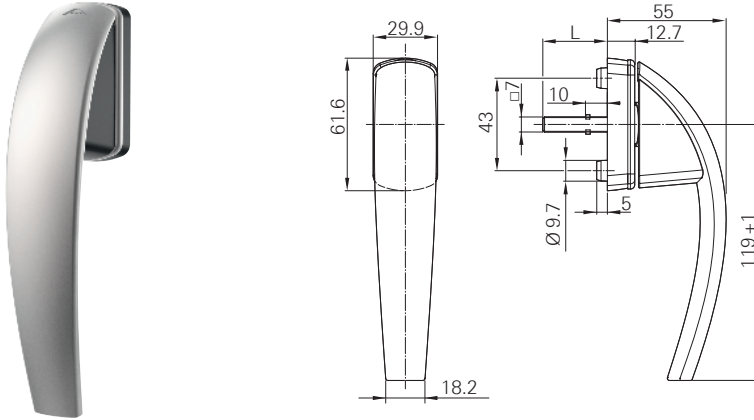


Roto Swing			
Window handles – standard	42	Window handles – lockable, 40 Nm	85
Window handles – standard for night ventilation	44	Window handles – lockable, 100 Nm	86
Window handles – Secustik®	46	Window handles – push-to-open	87
Window handles – Secustik® for night ventilation	48	Window handles – TiltFirst, lockable, 40 Nm	88
Window handles – lockable, 40 Nm	50	Balcony door handles – outside and inside escutcheon with handle	89
Window handles – lockable, 100 Nm	52	Balcony door handles – escutcheon with flat handle on the outside and escutcheon with handle on the inside	90
Window handles – push-to-open	53		
Window handles – TiltFirst, lockable, 40 Nm	55		
Balcony door handles – outside and inside escutcheon with handle	56		
Roto Line			
Window handles – standard	57		
Window handles – standard for night ventilation	60		
Window handles – Secustik®	62		
Window handles – Secustik® for night ventilation	64		
Window handles – lockable, 40 Nm	65		
Window handles – lockable, 100 Nm	68		
Window handles – lockable, 200 Nm	70		
Window handles – push-to-open	71		
Window handles – TiltFirst, lockable, 40 Nm	73		
Window handles – comfort windows	75		
Window handles – service handle	76		
Balcony door handles – escutcheon with handle on the outside and inside	77		
Balcony door handles – escutcheon with flat handle on the outside and escutcheon with handle on the inside	79		
Balcony door handles – long plate on the outside and escutcheon with handle on the inside	80		
Accessories	81		
Roto Samba			
Window handles – standard	82		
Window handles – standard for night ventilation	83		
Window handles – Secustik®	84		

## 2 Roto NX / Roto NT

### 2.1 Roto Swing

#### 2.1.1 Window handles – standard



#### Product description

- Basic handle without additional functions
- Lock-in position 90°
- 10-year performance warranty
- Classification in accordance with DIN EN 13126-3











#### Scope of delivery

- 1 window handle
- 2 fixing screws

	[A]	Handle lever	✓
	[B]	Design element	i
	[C]	Cover	i
	[D]	Escutcheon	i

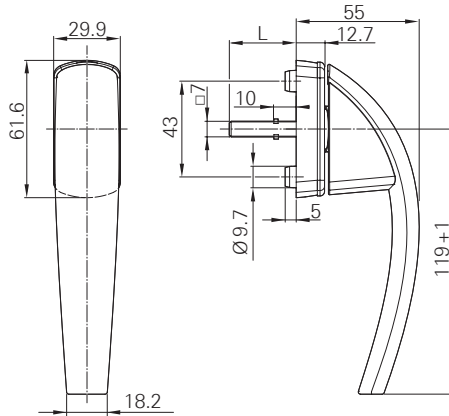
32	Roto	Pen	i	↓	Roto	#			Nº
R01.1	Natural silver	[B] Silver grey, [C] Silver grey, [D] Silver grey	anod.	Y	2	M5x40	15 Piece(s)	641112	▣
R07.2	Traffic white	[B] Traffic white, [C] Traffic white, [D] Traffic white	powd-c	Y	2	M5x40	15 Piece(s)	641115	▣



									
37	R01.1	Natural silver	[B] Silver grey, [C] Silver grey, [D] Silver grey	anod.	Y	2	M5x45	15 Piece(s)	641117 <input checked="" type="checkbox"/>
	R01.2	Nickel silver	[B] Beige, [C] Beige, [D] Beige	anod.	Y	2	M5x45	15 Piece(s)	641119 <input type="checkbox"/>
	R01.3	Titanium	[B] Grey, [C] Grey, [D] Grey	anod.	Y	2	M5x45	15 Piece(s)	641120 <input checked="" type="checkbox"/>
	R03.1	Brass matt	[B] Pantone 468C, [C] Gold, [D] Pantone 468C	anod.	Y	2	M5x45	15 Piece(s)	641121 <input checked="" type="checkbox"/>
	R04.4	Black brown	[B] Brown, [C] Brown, [D] Brown	powd-c	Y	2	M5x45	15 Piece(s)	641122 <input checked="" type="checkbox"/>
	R05.3	Medium bronze	[B] Pantone 462C, [C] Medium bronze, [D] Pantone 462C	anod.	Y	2	M5x45	15 Piece(s)	641123 <input checked="" type="checkbox"/>
	R05.5	Bronze	[B] Pantone 462C, [C] Bronze, [D] Pantone 462C	anod.	Y	2	M5x45	15 Piece(s)	641124 <input checked="" type="checkbox"/>
	R07.2	Traffic white	[B] Traffic white, [C] Traffic white, [D] Traffic white	powd-c	Y	2	M5x45	15 Piece(s)	641125 <input checked="" type="checkbox"/>
	[B] F7503, [C] Traffic white, [D] Traffic white		powd-c	Y	2	M5x45	15 Piece(s)	641126 <input type="checkbox"/>	
43	R01.1	Natural silver	[B] Silver grey, [C] Silver grey, [D] Silver grey	anod.	Y	2	M5x50	15 Piece(s)	641127 <input checked="" type="checkbox"/>
	R01.3	Titanium	[B] Grey, [C] Grey, [D] Grey	anod.	Y	2	M5x50	15 Piece(s)	641130 <input checked="" type="checkbox"/>
	R04.4	Black brown	[B] Brown, [C] Brown, [D] Brown	powd-c	Y	2	M5x50	15 Piece(s)	641132 <input checked="" type="checkbox"/>
	R05.3	Medium bronze	[B] Pantone 462C, [C] Medium bronze, [D] Pantone 462C	anod.	Y	2	M5x50	15 Piece(s)	641133 <input checked="" type="checkbox"/>
	R07.2	Traffic white	[B] Traffic white, [C] Traffic white, [D] Traffic white	powd-c	Y	2	M5x50	15 Piece(s)	641135 <input checked="" type="checkbox"/>



## 2.1.2 Window handles – standard for night ventilation

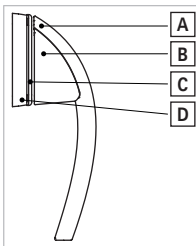


### Product description

- Basic handle without additional functions
- Lock-in position 90°, lock-in position 45° for night ventilation
- 10-year performance warranty
- Classification in accordance with DIN EN 13126-3

### Scope of delivery











- 1 window handle
- 2 fixing screws



[A]	Handle lever	/
[B]	Design element	[i]
[C]	Cover	[i]
[D]	Escutcheon	[i]

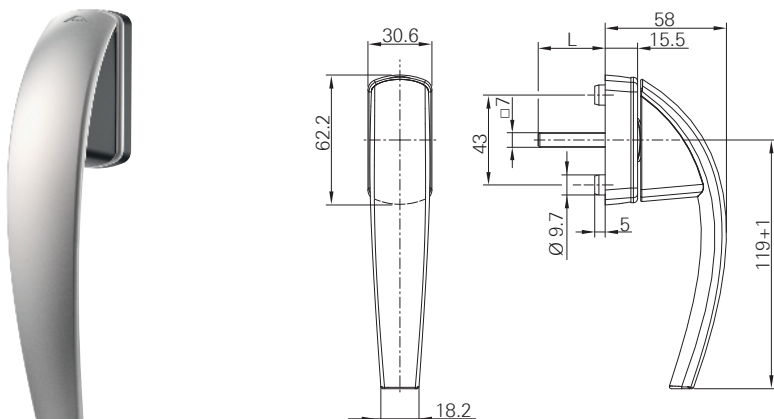
32	R01.1	Natural silver	[B] Silver grey, [C] Silver grey, [D] Silver grey	anod.	Y	2	M5x45	15 Piece(s)	613997	■
	R01.2	Nickel silver	[B] Beige, [C] Beige, [D] Beige	anod.	Y	2	M5x45	15 Piece(s)	613998	□
	R01.3	Titanium	[B] Grey, [C] Grey, [D] Grey	anod.	Y	2	M5x45	15 Piece(s)	613999	■
	R03.1	Brass matt	[B] Pantone 468C, [C] Gold, [D] Pantone 468C	anod.	Y	2	M5x45	15 Piece(s)	614000	■
	R05.3	Medium bronze	[B] Pantone 462C, [C] Medium bronze, [D] Pantone 462C	anod.	Y	2	M5x45	15 Piece(s)	613859	■
	R05.5	Bronze	[B] Pantone 462C, [C] Bronze, [D] Pantone 462C	anod.	Y	2	M5x45	15 Piece(s)	614001	■
	R07.2	Traffic white	[B] Traffic white, [C] Traffic white, [D] Traffic white	powd-c	Y	2	M5x45	15 Piece(s)	614002	■



									
37	R01.1	Natural silver	[B] Silver grey, [C] Silver grey, [D] Silver grey	anod.	Y	2	M5x45	15 Piece(s)	607855 <input checked="" type="checkbox"/>
	R01.2	Nickel silver	[B] Beige, [C] Beige, [D] Beige	anod.	Y	2	M5x45	15 Piece(s)	615684 <input type="checkbox"/>
	R01.3	Titanium	[B] Grey, [C] Grey, [D] Grey	anod.	Y	2	M5x45	15 Piece(s)	607854 <input checked="" type="checkbox"/>
	R03.1	Brass matt	[B] Pantone 468C, [C] Gold, [D] Pantone 468C	anod.	Y	2	M5x45	15 Piece(s)	615685 <input checked="" type="checkbox"/>
	R04.4	Black brown	[B] Brown, [C] Brown, [D] Brown	powd-c	Y	2	M5x45	15 Piece(s)	615686 <input checked="" type="checkbox"/>
	R05.3	Medium bronze	[B] Pantone 462C, [C] Medium bronze, [D] Pantone 462C	anod.	Y	2	M5x45	15 Piece(s)	613862 <input checked="" type="checkbox"/>
	R05.5	Bronze	[B] Pantone 462C, [C] Bronze, [D] Pantone 462C	anod.	Y	2	M5x45	15 Piece(s)	615687 <input checked="" type="checkbox"/>
R07.2	Traffic white	[B] Traffic white, [C] Traffic white, [D] Traffic white	powd-c	Y	2	M5x45	15 Piece(s)	607853 <input checked="" type="checkbox"/>	
43	R01.1	Natural silver	[B] Silver grey, [C] Silver grey, [D] Silver grey	anod.	Y	2	M5x50	15 Piece(s)	607856 <input checked="" type="checkbox"/>
	R01.2	Nickel silver	[B] Beige, [C] Beige, [D] Beige	anod.	Y	2	M5x50	15 Piece(s)	632254 <input type="checkbox"/>
	R01.3	Titanium	[B] Grey, [C] Grey, [D] Grey	anod.	Y	2	M5x50	15 Piece(s)	607858 <input checked="" type="checkbox"/>
	R03.1	Brass matt	[B] Pantone 468C, [C] Gold, [D] Pantone 468C	anod.	Y	2	M5x50	15 Piece(s)	632280 <input checked="" type="checkbox"/>
	R04.4	Black brown	[B] Brown, [C] Brown, [D] Brown	powd-c	Y	2	M5x50	15 Piece(s)	632281 <input checked="" type="checkbox"/>
	R05.3	Medium bronze	[B] Pantone 462C, [C] Medium bronze, [D] Pantone 462C	anod.	Y	2	M5x50	15 Piece(s)	632282 <input checked="" type="checkbox"/>
	R05.5	Bronze	[B] Pantone 462C, [C] Bronze, [D] Pantone 462C	anod.	Y	2	M5x50	15 Piece(s)	632283 <input checked="" type="checkbox"/>
R07.2	Traffic white	[B] Traffic white, [C] Traffic white, [D] Traffic white	powd-c	Y	2	M5x50	15 Piece(s)	607857 <input checked="" type="checkbox"/>	



### 2.1.3 Window handles – Secustik®



#### Product description

- Handle with automatic locking
- Protection against being tampered with from the outside
- Patented locking mechanism to provide built-in basic security
- Lock-in position 90°
- Ten-year performance warranty
- Classification in accordance with DIN EN 13126-3 → *from page 19*

#### Scope of delivery

- 1 window handle
- 2 fixing screws













#### INFO

Further information on Secustik® → *from page 22*

	[A]	Handle lever	/
	[B]	Design element	i
	[C]	Cover	i
	[D]	Escutcheon	i

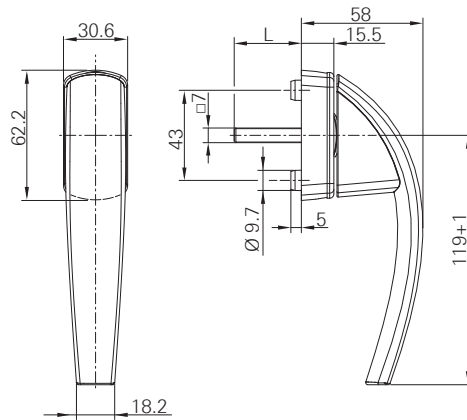
32	R01.1	Natural silver	[B] Silver grey, [C] Silver grey, [D] Silver grey	anod.	Y	2	M5x40	15 Piece(s)	641082 <input type="checkbox"/>
	R01.3	Titanium	[B] Grey, [C] Grey, [D] Grey	anod.	Y	2	M5x40	15 Piece(s)	641084 <input type="checkbox"/>
	R07.2	Traffic white	[B] Traffic white, [C] Traffic white, [D] Traffic white	powd-c	Y	2	M5x40	15 Piece(s)	641095 <input type="checkbox"/>



									
37	R01.1	Natural silver	[B] Silver grey, [C] Silver grey, [D] Silver grey	anod.	Y	2	M5x50	15 Piece(s)	641096 <input checked="" type="checkbox"/>
	R01.3	Titanium	[B] Grey, [C] Grey, [D] Grey	anod.	Y	2	M5x50	15 Piece(s)	641098 <input checked="" type="checkbox"/>
	R03.1	Brass matt	[B] Pantone 468C, [C] Gold   Pantone 468C	anod.	Y	2	M5x50	15 Piece(s)	641099 <input type="checkbox"/>
	R04.4	Black brown	[B] Brown, [C] Brown, [D] Brown	powd-c	Y	2	M5x50	15 Piece(s)	641100 <input checked="" type="checkbox"/>
	R05.3	Medium bronze	[B] Pantone 462C, [C] Medium bronze, [D] Pantone 462C	anod.	Y	2	M5x50	15 Piece(s)	641101 <input checked="" type="checkbox"/>
	R05.5	Bronze	[B] Pantone 462C, [C] Bronze, [D] Pantone 462C	anod.	Y	2	M5x50	15 Piece(s)	641102 <input checked="" type="checkbox"/>
	R07.2	Traffic white	[B] Traffic white, [C] Traffic white, [D] Traffic white	powd-c	Y	2	M5x50	15 Piece(s)	641103 <input checked="" type="checkbox"/>
43	R01.1	Natural silver	[B] Silver grey, [C] Silver grey, [D] Silver grey	anod.	Y	2	M5x55	15 Piece(s)	641104 <input checked="" type="checkbox"/>
	R01.3	Titanium	[B] Grey, [C] Grey, [D] Grey	anod.	Y	2	M5x55	15 Piece(s)	641106 <input checked="" type="checkbox"/>
	R03.1	Brass matt	[B] Pantone 468C, [C] Gold, [D] Pantone 468C	anod.	Y	2	M5x55	15 Piece(s)	641107 <input checked="" type="checkbox"/>
	R04.4	Black brown	[B] Brown, [C] Brown, [D] Brown	powd-c	Y	2	M5x55	15 Piece(s)	641108 <input checked="" type="checkbox"/>
	R05.3	Medium bronze	[B] Pantone 462C, [C] Medium bronze, [D] Pantone 462C	anod.	Y	2	M5x55	15 Piece(s)	641109 <input checked="" type="checkbox"/>
	R05.5	Bronze	[B] Pantone 462C, [C] Bronze, [D] Pantone 462C	anod.	Y	2	M5x55	15 Piece(s)	641110 <input checked="" type="checkbox"/>
	R07.2	Traffic white	[B] Traffic white, [C] Traffic white, [D] Traffic white	powd-c	Y	2	M5x55	15 Piece(s)	641111 <input checked="" type="checkbox"/>



## 2.1.4 Window handles – Secustik® for night ventilation



### Product description

- Handle with automatic locking
- Protection against being tampered with from the outside
- Patented locking mechanism to provide built-in basic security
- Lock-in position 90°, lock-in position 45° for night ventilation
- Ten-year performance warranty
- Classification in accordance with DIN EN 13126-3 → *from page 19*

### Scope of delivery

- 1 window handle
- 2 fixing screws












### INFO

Further information on Secustik® → *from page 22*

	[A]	Handle lever	/
	[B]	Design element	i
	[C]	Cover	i
	[D]	Escutcheon	i

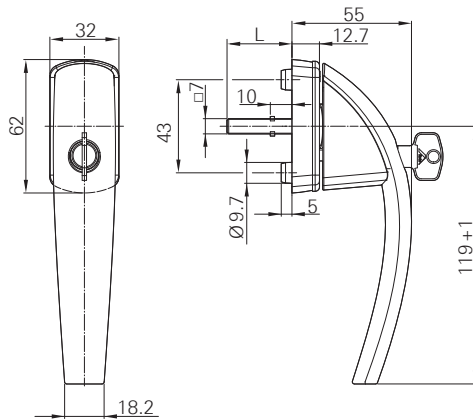
32	Natural silver	R01.1	[B] Silver grey, [C] Silver grey, [D] Silver grey	anod.	Y	2	M5x40	15 Piece(s)	613830 <input type="checkbox"/>
	Titanium	R01.3	[B] Grey, [C] Grey, [D] Grey	anod.	Y	2	M5x40	15 Piece(s)	613832 <input type="checkbox"/>
	Medium bronze	R05.3	[B] Pantone 462C, [C] Medium bronze, [D] Pantone 462C	anod.	Y	2	M5x40	15 Piece(s)	613856 <input type="checkbox"/>
	Bronze	R05.5	[B] Pantone 462C, [C] Bronze, [D] Pantone 462C	anod.	Y	2	M5x40	15 Piece(s)	613834 <input type="checkbox"/>
	Traffic white	R07.2	[B] Traffic white, [C] Traffic white, [D] Traffic white	powd-c	Y	2	M5x40	15 Piece(s)	613855 <input type="checkbox"/>



									N <sup>o</sup>
37	Natural silver	R01.1	[B] Silver grey, [C] Silver grey, [D] Silver grey	anod.	Y	2	M5x50	15 Piece(s)	613580 <input checked="" type="checkbox"/>
	Nickel silver	R01.2	[B] Beige, [C] Beige, [D] Beige	anod.	Y	2	M5x50	15 Piece(s)	613823 <input type="checkbox"/>
	Titanium	R01.3	[B] Grey, [C] Grey, [D] Grey	anod.	Y	2	M5x50	15 Piece(s)	613581 <input checked="" type="checkbox"/>
	Brass matt	R03.1	[B] Pantone 468C, [C] Gold, [D] Pantone 468C	anod.	Y	2	M5x50	15 Piece(s)	613824 <input checked="" type="checkbox"/>
	Black brown	R04.4	[B] Brown, [C] Brown, [D] Brown	powd-c	Y	2	M5x50	15 Piece(s)	613835 <input checked="" type="checkbox"/>
	Medium bronze	R05.3	[B] Pantone 462C, [C] Medium bronze, [D] Pantone 462C	anod.	Y	2	M5x50	15 Piece(s)	613861 <input checked="" type="checkbox"/>
	Bronze	R05.5	[B] Pantone 462C, [C] Bronze, [D] Pantone 462C	anod.	Y	2	M5x50	15 Piece(s)	613836 <input checked="" type="checkbox"/>
	Traffic white	R07.2	[B] Traffic white, [C] Traffic white, [D] Traffic white	powd-c	Y	2	M5x50	15 Piece(s)	613582 <input checked="" type="checkbox"/>
43	Natural silver	R01.1	[B] Silver grey, [C] Silver grey, [D] Silver grey	anod.	Y	2	M5x55	15 Piece(s)	632004 <input checked="" type="checkbox"/>
	Nickel silver	R01.2	[B] Beige, [C] Beige, [D] Beige	anod.	Y	2	M5x55	15 Piece(s)	632035 <input type="checkbox"/>
	Titanium	R01.3	[B] Grey, [C] Grey, [D] Grey	anod.	Y	2	M5x55	15 Piece(s)	632037 <input checked="" type="checkbox"/>
	Brass matt	R03.1	[B] Pantone 468C, [C] Gold, [D] Pantone 468C	anod.	Y	2	M5x55	15 Piece(s)	632038 <input checked="" type="checkbox"/>
	Black brown	R04.4	[B] Brown, [C] Brown, [D] Brown	powd-c	Y	2	M5x55	15 Piece(s)	632040 <input checked="" type="checkbox"/>
	Medium bronze	R05.3	[B] Pantone 462C, [C] Medium bronze, [D] Pantone 462C	anod.	Y	2	M5x55	15 Piece(s)	632042 <input checked="" type="checkbox"/>
	Bronze	R05.5	[B] Pantone 462C, [C] Bronze, [D] Pantone 462C	anod.	Y	2	M5x55	15 Piece(s)	632043 <input checked="" type="checkbox"/>
	Traffic white	R07.2	[B] Traffic white, [C] Traffic white, [D] Traffic white	powd-c	Y	2	M5x55	15 Piece(s)	632044 <input checked="" type="checkbox"/>



## 2.1.5 Window handles – lockable, 40 Nm

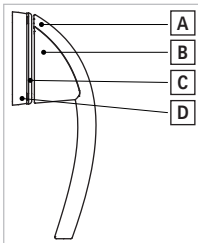


### Product description

- Lockable handle with tested torque 40 Nm (basic security)
- Closed by a rotary cylinder with reversible key
- Can be unlocked and locked as required
- Can be operated when the handle is unlocked
- Lock-in position 90°
- 10-year performance warranty
- Classification in accordance with DIN EN 13126-3 → *from page 19*

### Scope of delivery

















- 1 window handle
- 1 key
- 2 fixing screws



[A]	Handle lever	✓
[B]	Design element	i
[C]	Cover	i
[D]	Escutcheon	i

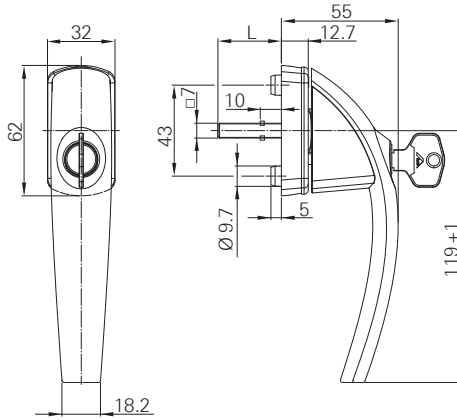
32	R01.1	Natural silver	[B] Silver grey, [C] Silver grey, [D] Silver grey	anod.	Y	2	M5x40	15 Piece(s)	632284
	R01.3	Titanium	[B] Grey, [C] Grey, [D] Grey	anod.	Y	2	M5x40	15 Piece(s)	632286
37	R01.1	Natural silver	[B] Silver grey, [C] Silver grey, [D] Silver grey	anod.	Y	2	M5x45	15 Piece(s)	632291
	R01.3	Titanium	[B] Grey, [C] Grey, [D] Grey	anod.	Y	2	M5x45	15 Piece(s)	632292
	R04.4	Black brown	[B] Brown, [C] Brown, [D] Brown	powd-c	Y	2	M5x45	15 Piece(s)	632294
	R05.3	Medium bronze	[B] Pantone 462C, [C] Medium bronze, [D] Pantone 462C	anod.	Y	2	M5x45	15 Piece(s)	613860
	R05.5	Bronze	[B] Pantone 462C, [C] Bronze, [D] Pantone 462C	anod.	Y	2	M5x45	15 Piece(s)	632295
	R07.2	Traffic white	[B] Traffic white, [C] Traffic white, [D] Traffic white	powd-c	Y	2	M5x45	15 Piece(s)	632296



									
43	R01.1	Natural silver	[B] Silver grey, [C] Silver grey, [D] Silver grey	anod.	Y	2	M5x50	15 Piece(s)	632297 
	R01.3	Titanium	[B] Grey, [C] Grey, [D] Grey	anod.	Y	2	M5x50	15 Piece(s)	632298 
	R04.4	Black brown	[B] Brown, [C] Brown, [D] Brown	powd-c	Y	2	M5x50	15 Piece(s)	632300 
	R05.3	Medium bronze	[B] Pantone 462C, [C] Medium bronze, [D] Pantone 462C	anod.	Y	2	M5x50	15 Piece(s)	632301 
	R05.5	Bronze	[B] Pantone 462C, [C] Bronze, [D] Pantone 462C	anod.	Y	2	M5x50	15 Piece(s)	632302 
	R07.2	Traffic white	[B] Traffic white, [C] Traffic white, [D] Traffic white	powd-c	Y	2	M5x50	15 Piece(s)	632303 



## 2.1.6 Window handles – lockable, 100 Nm



### Product description

- Lockable handle with tested torque 100 Nm
- Closed by a push cylinder with reversible key
- Simple and quick locking by pushing down the cylinder
- Meets the requirements of DIN EN 1627-1630, RC 1 - RC 6
- Lock-in position 90°
- Ten-year performance warranty
- Classification in accordance with DIN EN 13126-3 → *from page 19*

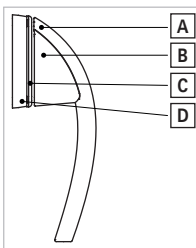
### Scope of delivery

- 1 window handle
- 1 key
- 2 fixing screws



### INFO

Further information on lockable handles → *from page 21*.



[A]	Handle lever	✓
[B]	Design element	i
[C]	Cover	i
[D]	Escutcheon	i

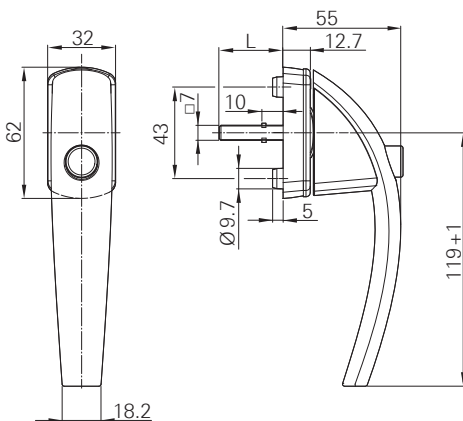
32	R01.1	Natural silver	[B] Silver grey, [C] Silver grey, [D] Silver grey	anod.	Y	2	M5x40	15 Piece(s)	632304	■
37			[B] Silver grey, [C] Silver grey, [D] Silver grey	anod.	Y	2	M5x45	15 Piece(s)	632311	■
	R01.3	Titanium	[B] Grey, [C] Grey, [D] Grey	anod.	Y	2	M5x45	15 Piece(s)	632313	■
	R04.4	Black brown	[B] Brown, [C] Brown, [D] Brown	powd-c	Y	2	M5x45	15 Piece(s)	632315	■
	R05.3	Medium bronze	[B] Pantone 462C, [C] Medium bronze, [D] Pantone 462C	anod.	Y	2	M5x45	15 Piece(s)	632316	■
	R05.5	Bronze	[B] Pantone 462C, [C] Bronze, [D] Pantone 462C	anod.	Y	2	M5x45	15 Piece(s)	632317	■
	R07.2	Traffic white	[B] Traffic white, [C] Traffic white, [D] Traffic white	powd-c	Y	2	M5x45	15 Piece(s)	632318	■



43	R01.1	Natural silver	[B] Silver grey, [C] Silver grey, [D] Silver grey	anod.	Y	2	M5x50	15 Piece(s)	632319	
	R01.3	Titanium	[B] Grey, [C] Grey, [D] Grey	anod.	Y	2	M5x50	15 Piece(s)	632321	
	R07.2	Traffic white	[B] Traffic white, [C] Traffic white, [D] Traffic white	powd-c	Y	2	M5x50	15 Piece(s)	632326	



## 2.1.7 Window handles – push-to-open



### Product description

- Window handle with push-to-open mechanism
- The push function makes locking and unlocking possible
- Lock-in position 90°
- 10-year performance warranty
- Classification in accordance with DIN EN 13126-3 → *from page 19*
















### Scope of delivery

- 1 window handle
- 2 fixing screws

	[A]	Handle lever	
	[B]	Design element	
	[C]	Cover	
	[D]	Escutcheon	

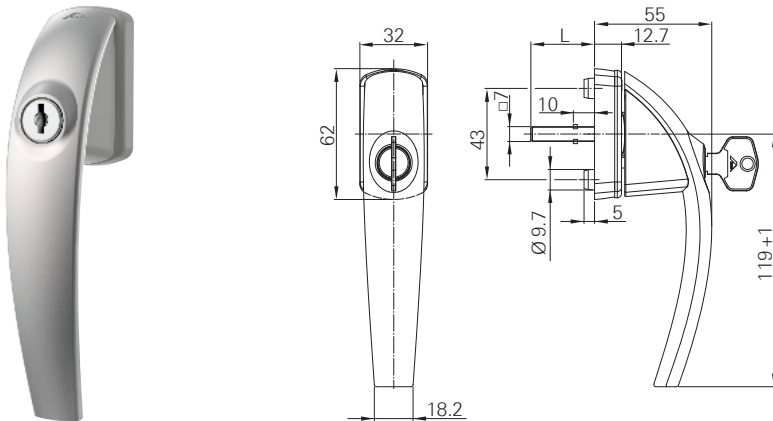
37	R01.1	Natural silver	[B] Silver grey, [C] Silver grey, [D] Silver grey	anod.	Y	2	M5x45	15 Piece(s)	632330	
	R01.3	Titanium	[B] Grey, [C] Grey, [D] Grey	anod.	Y	2	M5x45	15 Piece(s)	632332	
	R05.3	Medium bronze	[B] Pantone 462C, [C] Medium bronze, [D] Pantone 462C	anod.	Y	2	M5x45	15 Piece(s)	632335	
	R05.5	Bronze	[B] Pantone 462C, [C] Bronze, [D] Pantone 462C	anod.	Y	2	M5x45	15 Piece(s)	632336	
	R07.2	Traffic white	[B] Traffic white, [C] Traffic white, [D] Traffic white	powd-c	Y	2	M5x45	15 Piece(s)	632337	



									
43	R01.1	Natural silver	[B] Silver grey, [C] Silver grey, [D] Silver grey	anod.	Y	2	M5x50	15 Piece(s)	632338 
	R01.3	Titanium	[B] Grey, [C] Grey, [D] Grey	anod.	Y	2	M5x50	15 Piece(s)	632340 
	R05.3	Medium bronze	[B] Pantone 462C, [C] Medium bronze, [D] Pantone 462C	anod.	Y	2	M5x50	15 Piece(s)	632343 
	R05.5	Bronze	[B] Pantone 462C, [C] Bronze, [D] Pantone 462C	anod.	Y	2	M5x50	15 Piece(s)	632344 
	R07.2	Traffic white	[B] Traffic white, [C] Traffic white, [D] Traffic white	powd-c	Y	2	M5x50	15 Piece(s)	632345 



## 2.1.8 Window handles – TiltFirst, lockable, 40 Nm



### Product description

- For window systems with the TiltFirst application (tilting before turning)
- Closed by a rotary cylinder with reversible key
- Can be locked in the 0° and 90° position
- Lock-in position 90°
- Ten-year performance warranty
- Classification in accordance with DIN EN 13126-3 → *from page 19*

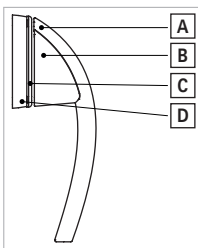
### Scope of delivery

- 1 window handle
- 1 key
- 2 fixing screws



### INFO

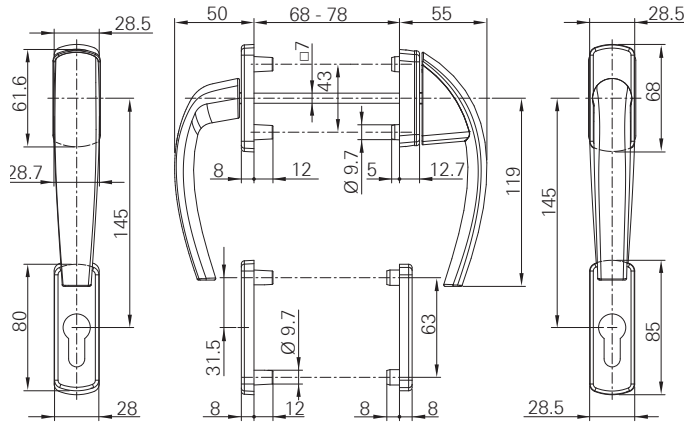
Further information on TiltFirst → *from page 24.*



[A]	Handle lever	
[B]	Design element	
[C]	Cover	
[D]	Escutcheon	

37	R01.1	Natural silver	[B] Silver grey, [C] Silver grey, [D] Silver grey	anod.	Y	2	M5x45	15 Piece(s)	641137
	R01.3	Titanium	[B] Grey, [C] Grey, [D] Grey	anod.	Y	2	M5x45	15 Piece(s)	641138
	R05.5	Bronze	[B] Pantone 462C, [C] Bronze, [D] Pantone 462C	anod.	Y	2	M5x45	15 Piece(s)	641141
	R07.2	Traffic white	[B] Traffic white, [C] Traffic white, [D] Traffic white	powd-c	Y	2	M5x45	15 Piece(s)	641142
43	R01.1	Natural silver	[B] Silver grey, [C] Silver grey, [D] Silver grey	anod.	Y	2	M5x50	15 Piece(s)	641143
	R01.3	Titanium	[B] Grey, [C] Grey, [D] Grey	anod.	Y	2	M5x50	15 Piece(s)	641144
	R04.4	Black brown	[B] Brown, [C] Brown, [D] Brown	powd-c	Y	2	M5x50	15 Piece(s)	641146
	R05.3	Medium bronze	[B] Pantone 462C, [C] Medium bronze, [D] Pantone 462C	anod.	Y	2	M5x50	15 Piece(s)	641147
	R07.2	Traffic white	[B] Traffic white, [C] Traffic white, [D] Traffic white	powd-c	Y	2	M5x50	15 Piece(s)	641149

## 2.1.9 Balcony door handles – outside and inside escutcheon with handle



### Product description

- Handle set with escutcheon version
- Outside: handle securely pinned without click mechanism
- Inside: standard handle with profile cylinder escutcheon
- Concealed screw fixing
- Lock-in position 90°
- Ten-year performance warranty

### Scope of delivery

- 2 handles
- 2 escutcheons
- 4 fixing screws



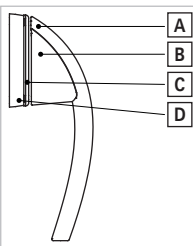
### INFO

Profile cylinder is not included in the scope of delivery.



### INFO

A flush-encased gearbox is required for use in aluminium profiles → *from page 110*.



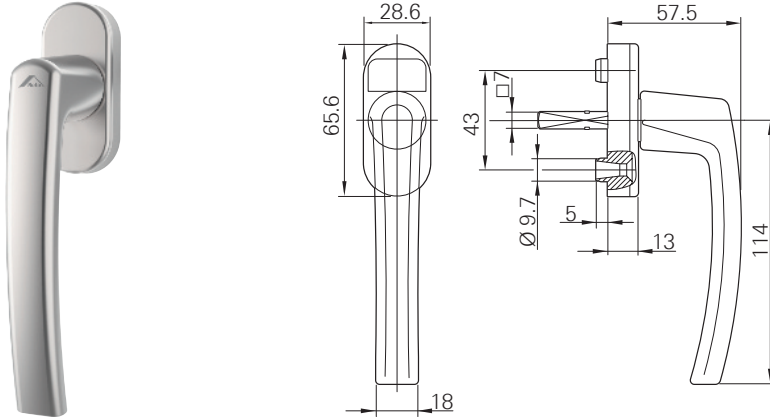
[A]	Handle lever	✓
[B]	Design element	[i]
[C]	Cover	[i]
[D]	Escutcheon	[i]

100	R01.1	Natural silver	[B] Silver grey, [C] Silver grey, [D] Silver grey	anod.	Y	4	M5x100	1 Piece(s)	607332
	R01.3	Titanium	[B] Grey, [C] Grey, [D] Grey	anod.	Y	4	M5x100	1 Piece(s)	607333
	R07.2	Traffic white	[B] Traffic white, [C] Traffic white, [D] Traffic white	powd-c	Y	4	M5x100	1 Piece(s)	607331
127	R01.1	Natural silver	[B] Silver grey, [C] Silver grey, [D] Silver grey	anod.	Y	4	M5x110	1 Piece(s)	606786
	R01.3	Titanium	[B] Grey, [C] Grey, [D] Grey	anod.	Y	4	M5x110	1 Piece(s)	606787
	R07.2	Traffic white	[B] Traffic white, [C] Traffic white, [D] Traffic white	powd-c	Y	4	M5x110	1 Piece(s)	606785



## 2.2 Roto Line

### 2.2.1 Window handles – standard



#### Product description

- Basic handle without additional functions
- Lock-in position 90°
- Ten-year performance warranty
- Classification in accordance with DIN EN 13126-3

#### Scope of delivery

- 1 window handle
- For fixing screws, see table











#### INFO









A flush-encased gearbox is required for use in aluminium profiles → *from page 110.*

24	R01.1	Natural silver	anod.	Y	2	M5x35	20 Piece(s)	799867	<input type="checkbox"/>
			anod.	N	2	M5x35	20 Piece(s)	858981	<input type="checkbox"/>
	R01.3	Titanium	anod.	Y	–	–	20 Piece(s)	341748	<input type="checkbox"/>
			anod.	N	2	M5x35	20 Piece(s)	858983	<input type="checkbox"/>
	R04.1	Grey brown	powd-c	N	2	M5x35	20 Piece(s)	858982	<input type="checkbox"/>
	R06.2M	Jet black, matt	powd-c	Y	2	M5x35	20 Piece(s)	794253	<input type="checkbox"/>
30	R01.1	Natural silver	anod.	Y	–	–	20 Piece(s)	227897	<input type="checkbox"/>
			anod.	N	–	–	20 Piece(s)	228079	<input type="checkbox"/>
	R01.2	Nickel silver	anod.	Y	–	–	20 Piece(s)	227899	<input type="checkbox"/>
			anod.	N	2	M5x40	20 Piece(s)	339532	<input type="checkbox"/>
	R04.1	Grey brown	powd-c	N	2	M5x40	20 Piece(s)	482542	<input type="checkbox"/>
	R05.3	Medium bronze	anod.	Y	–	–	20 Piece(s)	227903	<input type="checkbox"/>
R05.5	Bronze	anod.	Y	–	–	20 Piece(s)	227905	<input type="checkbox"/>	
		anod.	N	–	–	20 Piece(s)	228088	<input type="checkbox"/>	
	R07.2	Traffic white	powd-c	Y	–	–	20 Piece(s)	227790	<input type="checkbox"/>
			powd-c	N	2	M5x40	20 Piece(s)	228176	<input type="checkbox"/>

**Roto NX / Roto NT**  
**Roto Line**  
Window handles – standard

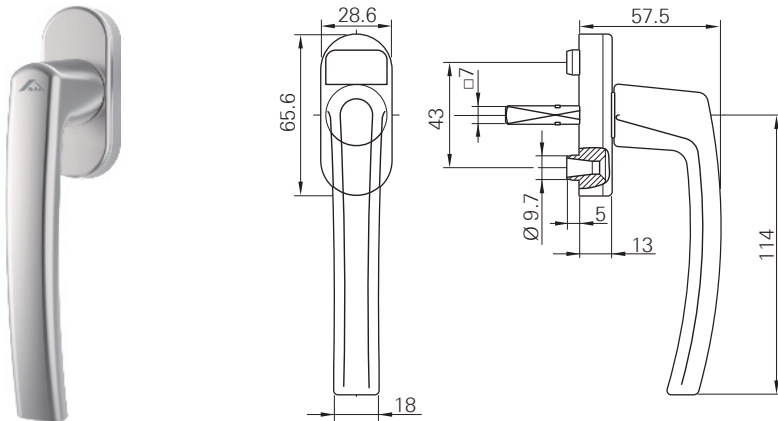
								N <sup>o</sup>
32	R01.1	Natural silver	anod.	Y	2	M5x40	20 Piece(s)	799868 <input type="checkbox"/>
			anod.	N	2	M5x40	20 Piece(s)	618706 <input checked="" type="checkbox"/>
	R01.3	Titanium	anod.	N	2	M5x40	20 Piece(s)	618708 <input checked="" type="checkbox"/>
	R03.2	Brass, polished	anod.	N	–	–	20 Piece(s)	245628 <input type="checkbox"/>
	R05.3	Medium bronze	anod.	N	2	M5x40	20 Piece(s)	618707 <input checked="" type="checkbox"/>
	R07.2	Traffic white	powd-c	N	2	M5x40	20 Piece(s)	618709 <input checked="" type="checkbox"/>
35	R01.1	Natural silver	anod.	Y	–	–	20 Piece(s)	227907 <input type="checkbox"/>
			anod.	N	2	M5x45	20 Piece(s)	280398 <input type="checkbox"/>
	R01.2	Nickel silver	anod.	Y	–	–	20 Piece(s)	227909 <input type="checkbox"/>
			anod.	N	2	M5x45	20 Piece(s)	263704 <input type="checkbox"/>
	R01.3	Titanium	anod.	Y	–	–	20 Piece(s)	227796 <input type="checkbox"/>
			anod.	N	2	M5x45	20 Piece(s)	255369 <input type="checkbox"/>
	R03.1	Brass matt	anod.	Y	–	–	20 Piece(s)	227911 <input type="checkbox"/>
			anod.	N	2	M5x45	20 Piece(s)	482544 <input type="checkbox"/>
	R03.2	Brass, polished	anod.	Y	–	–	20 Piece(s)	227801 <input type="checkbox"/>
	R04.1	Grey brown	powd-c	Y	–	–	20 Piece(s)	227803 <input type="checkbox"/>
			powd-c	N	2	M5x45	20 Piece(s)	256230 <input type="checkbox"/>
	R05.3	Medium bronze	anod.	Y	–	–	20 Piece(s)	227913 <input type="checkbox"/>
			anod.	N	2	M5x45	20 Piece(s)	348329 <input type="checkbox"/>
	R05.5	Bronze	anod.	Y	–	–	20 Piece(s)	227915 <input type="checkbox"/>
			anod.	N	–	–	20 Piece(s)	228098 <input type="checkbox"/>
	R06.2	Jet black	powd-c	Y	–	–	20 Piece(s)	227793 <input type="checkbox"/>
	R07.1	Pure white	powd-c	Y	–	–	20 Piece(s)	227806 <input type="checkbox"/>
	R07.2	Traffic white	powd-c	Y	2	M5x45	20 Piece(s)	256756 <input type="checkbox"/>
powd-c			N	2	M5x45	20 Piece(s)	256755 <input type="checkbox"/>	
R07.3	Cream	powd-c	Y	–	–	20 Piece(s)	227810 <input type="checkbox"/>	
		powd-c	N	–	–	20 Piece(s)	341745 <input type="checkbox"/>	
37	R01.1	Natural silver	anod.	Y	2	M5x45	20 Piece(s)	799869 <input type="checkbox"/>
			anod.	N	2	M5x45	20 Piece(s)	384342 <input checked="" type="checkbox"/>
	R01.3	Titanium	anod.	N	2	M5x45	20 Piece(s)	384344 <input checked="" type="checkbox"/>
	R04.1	Grey brown	powd-c	N	2	M5x45	20 Piece(s)	858973 <input type="checkbox"/>
	R05.3	Medium bronze	anod.	N	2	M5x45	20 Piece(s)	618710 <input checked="" type="checkbox"/>
R07.2	Traffic white	powd-c	N	2	M5x45	20 Piece(s)	386267 <input checked="" type="checkbox"/>	
40	R01.1	Natural silver	anod.	N	2	M5x50	20 Piece(s)	623132 <input type="checkbox"/>
	R01.3	Titanium	anod.	Y	–	–	20 Piece(s)	262935 <input type="checkbox"/>
			anod.	N	2	M5x50	20 Piece(s)	330870 <input type="checkbox"/>
	R04.1	Grey brown	powd-c	N	2	M5x50	20 Piece(s)	330867 <input type="checkbox"/>
	R05.3	Medium bronze	anod.	N	–	–	20 Piece(s)	364502 <input type="checkbox"/>
	R06.2M	Jet black, matt	powd-c	N	–	–	20 Piece(s)	794254 <input type="checkbox"/>
	R07.2	Traffic white	powd-c	N	2	M5x50	20 Piece(s)	623133 <input type="checkbox"/>
R07.3	Cream	powd-c	N	–	–	20 Piece(s)	349652 <input type="checkbox"/>	



								N <sup>o</sup>
43	R01.1	Natural silver	anod.	Y	2	M5x50	20 Piece(s)	799870 <input type="checkbox"/>
			anod.	N	2	M5x50	20 Piece(s)	594323 <input type="checkbox"/>
			anod.	N	2	M5x55	20 Piece(s)	618711 <input checked="" type="checkbox"/>
	R01.2	Nickel silver	anod.	Y	–	–	20 Piece(s)	571693 <input type="checkbox"/>
			anod.	N	2	M5x50	20 Piece(s)	594324 <input type="checkbox"/>
	R01.3	Titanium	anod.	Y	–	–	20 Piece(s)	571694 <input type="checkbox"/>
			anod.	N	2	M5x50	20 Piece(s)	594325 <input type="checkbox"/>
			anod.	N	2	M5x55	20 Piece(s)	618713 <input checked="" type="checkbox"/>
	R03.1	Brass matt	anod.	Y	–	–	20 Piece(s)	572415 <input checked="" type="checkbox"/>
			anod.	N	2	M5x50	20 Piece(s)	594326 <input type="checkbox"/>
	R03.2	Brass, polished	anod.	Y	–	–	20 Piece(s)	572420 <input type="checkbox"/>
	R04.1	Grey brown	powd-c	Y	–	–	20 Piece(s)	572416 <input checked="" type="checkbox"/>
			powd-c	N	2	M5x50	20 Piece(s)	594327 <input type="checkbox"/>
	R05.3	Medium bronze	anod.	Y	–	–	20 Piece(s)	572417 <input checked="" type="checkbox"/>
			anod.	N	2	M5x50	20 Piece(s)	594328 <input type="checkbox"/>
			anod.	N	2	M5x55	20 Piece(s)	618712 <input checked="" type="checkbox"/>
	R05.5	Bronze	anod.	Y	–	–	20 Piece(s)	572418 <input checked="" type="checkbox"/>
			anod.	N	2	M5x50	20 Piece(s)	594329 <input type="checkbox"/>
R07.2	Traffic white	powd-c	Y	–	–	20 Piece(s)	572419 <input checked="" type="checkbox"/>	
		powd-c	N	2	M5x50	20 Piece(s)	594330 <input type="checkbox"/>	
		powd-c	N	2	M5x55	20 Piece(s)	618739 <input checked="" type="checkbox"/>	
45	R01.1	Natural silver	anod.	N	–	–	20 Piece(s)	347442 <input type="checkbox"/>
	R07.2	Traffic white	powd-c	N	2	M5x55	20 Piece(s)	256232 <input type="checkbox"/>



## 2.2.2 Window handles – standard for night ventilation



### Product description

- Basic handle without additional functions
- 90° lock-in position
- 45° lock-in position for night ventilation
- Ten-year performance warranty
- Classification in accordance with DIN EN 13126-3




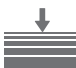




### Scope of delivery

- 1 window handle
- For fixing screws, see table



### INFO

A flush-encased gearbox is required for use in aluminium profiles → *from page 110.*

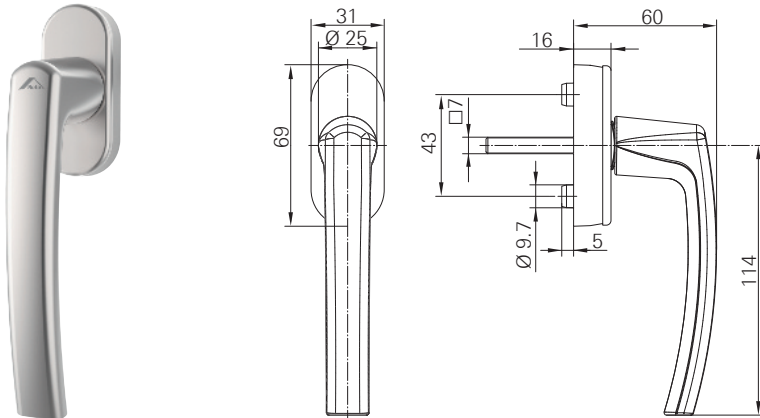
								<b>Nº</b>
24	R01.1	Natural silver	anod.	Y	-	-	20 Piece(s)	765009 <input type="checkbox"/>
	R01.3	Titanium	anod.	Y	-	-	20 Piece(s)	765010 <input type="checkbox"/>
	R07.2	Traffic white	powd-c	Y	-	-	20 Piece(s)	765008 <input type="checkbox"/>
30	R01.1	Natural silver	anod.	Y	-	-	20 Piece(s)	339455 <input type="checkbox"/>
	R01.2	Nickel silver	anod.	Y	-	-	20 Piece(s)	339456 <input type="checkbox"/>
	R01.3	Titanium	anod.	Y	-	-	20 Piece(s)	339457 <input type="checkbox"/>
	R03.1	Brass matt	anod.	Y	-	-	20 Piece(s)	339458 <input type="checkbox"/>
	R04.1	Grey brown	powd-c	Y	-	-	20 Piece(s)	339459 <input type="checkbox"/>
	R05.3	Medium bronze	anod.	Y	-	-	20 Piece(s)	339460 <input type="checkbox"/>
	R05.5	Bronze	anod.	Y	-	-	20 Piece(s)	339461 <input type="checkbox"/>
	R07.2	Traffic white	powd-c	Y	-	-	20 Piece(s)	227895 <input type="checkbox"/>
35	R01.1	Natural silver	anod.	Y	-	-	20 Piece(s)	339462 <input type="checkbox"/>
	R01.2	Nickel silver	anod.	Y	-	-	20 Piece(s)	339463 <input type="checkbox"/>
	R01.3	Titanium	anod.	Y	-	-	20 Piece(s)	339474 <input type="checkbox"/>
	R03.1	Brass matt	anod.	Y	-	-	20 Piece(s)	339475 <input type="checkbox"/>
	R04.1	Grey brown	powd-c	Y	-	-	20 Piece(s)	339476 <input type="checkbox"/>
	R05.3	Medium bronze	anod.	Y	-	-	20 Piece(s)	339477 <input type="checkbox"/>
	R05.5	Bronze	anod.	Y	-	-	20 Piece(s)	339478 <input type="checkbox"/>
	R07.2	Traffic white	powd-c	Y	-	-	20 Piece(s)	339479 <input type="checkbox"/>



								Nº
37	R01.1	Natural silver	anod.	N	-	-	20 Piece(s)	373935 <input checked="" type="checkbox"/>
			anod.	Y	2	M5x45	20 Piece(s)	2004063 <input type="checkbox"/>
	R01.3	Titanium	anod.	N	2	M5x45	20 Piece(s)	524319 <input type="checkbox"/>
			anod.	Y	2	M5x45	20 Piece(s)	2004065 <input type="checkbox"/>
	R03.1	Brass matt	anod.	Y	2	M5x45	20 Piece(s)	2004851 <input type="checkbox"/>
	R05.5	Bronze	anod.	N	2	M5x45	20 Piece(s)	488271 <input checked="" type="checkbox"/>
			anod.	Y	2	M5x45	20 Piece(s)	2004064 <input type="checkbox"/>
	R06.2M	Jet black, matt	powd-c	Y	2	M5x45	20 Piece(s)	2004852 <input type="checkbox"/>
	R07.2	Traffic white	powd-c	N	2	M5x45	20 Piece(s)	373942 <input checked="" type="checkbox"/>
			powd-c	Y	2	M5x45	20 Piece(s)	2004062 <input type="checkbox"/>
R07.3	Cream	powd-c	N	2	M5x45	20 Piece(s)	524367 <input type="checkbox"/>	
		powd-c	Y	2	M5x45	20 Piece(s)	2004061 <input type="checkbox"/>	
40	R01.1	Natural silver	anod.	Y	-	-	20 Piece(s)	473235 <input type="checkbox"/>
	R01.2	Nickel silver	anod.	Y	-	-	20 Piece(s)	473236 <input type="checkbox"/>
	R01.3	Titanium	anod.	Y	-	-	20 Piece(s)	473237 <input type="checkbox"/>
	R03.1	Brass matt	anod.	Y	-	-	20 Piece(s)	473238 <input type="checkbox"/>
	R03.2	Brass, polished	anod.	Y	-	-	20 Piece(s)	473239 <input type="checkbox"/>
	R04.1	Grey brown	powd-c	Y	-	-	20 Piece(s)	473240 <input type="checkbox"/>
	R05.3	Medium bronze	anod.	Y	-	-	20 Piece(s)	473241 <input type="checkbox"/>
	R05.5	Bronze	anod.	Y	-	-	20 Piece(s)	473242 <input type="checkbox"/>
	R07.2	Traffic white	powd-c	Y	-	-	20 Piece(s)	473243 <input type="checkbox"/>
R07.3	Cream	powd-c	N	-	-	20 Piece(s)	373950 <input type="checkbox"/>	
43	R01.1	Natural silver	anod.	Y	2	M5x50	20 Piece(s)	787945 <input checked="" type="checkbox"/>
	R01.3	Titanium	anod.	Y	2	M5x50	20 Piece(s)	2004853 <input type="checkbox"/>
	R05.3	Medium bronze	anod.	Y	2	M5x50	20 Piece(s)	787951 <input checked="" type="checkbox"/>
	R05.5	Bronze	anod.	Y	2	M5x50	20 Piece(s)	787952 <input checked="" type="checkbox"/>
	R06.2M	Jet black, matt	powd-c	Y	2	M5x50	20 Piece(s)	2004854 <input type="checkbox"/>
	R07.2	Traffic white	powd-c	Y	2	M5x50	20 Piece(s)	787953 <input checked="" type="checkbox"/>
	R07.3	Cream	powd-c	Y	2	M5x50	20 Piece(s)	2004067 <input type="checkbox"/>



### 2.2.3 Window handles – Secustik®



#### Product description

- Handle with automatic locking
- Protection against being tampered with from the outside
- Patented locking mechanism to provide built-in basic security
- Lock-in position 90°
- Ten-year performance warranty
- Classification in accordance with DIN EN 13126-3

#### Scope of delivery

- 1 window handle
- For fixing screws, see table



#### INFO

Further information on Secustik® → *from page 22*











#### INFO

A flush-encased gearbox is required for use in aluminium profiles → *from page 110.*

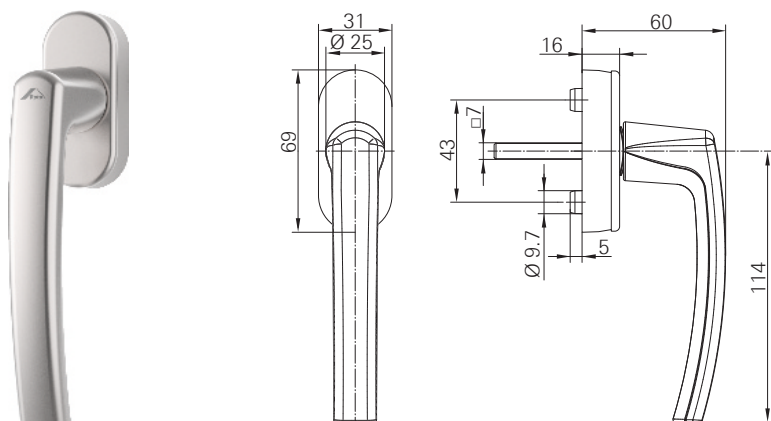
24	R01.1	Natural silver	anod.	Y	2	M5x35	20 Piece(s)	799579	<input type="checkbox"/>
	R01.3	Titanium	anod.	Y	2	M5x35	20 Piece(s)	738921	<input type="checkbox"/>
	R06.2M	Jet black, matt	powd-c	Y	2	M5x35	20 Piece(s)	794357	<input type="checkbox"/>
	R07.2	Traffic white	powd-c	Y	2	M5x40	20 Piece(s)	799790	<input type="checkbox"/>
32	R01.1	Natural silver	anod.	Y	2	M5x50	20 Piece(s)	799792	<input type="checkbox"/>
			anod.	N	2	M5x40	20 Piece(s)	618714	<input checked="" type="checkbox"/>
	R01.3	Titanium	anod.	N	2	M5x40	20 Piece(s)	618736	<input checked="" type="checkbox"/>
	R04.1	Grey brown	powd-c	N	–	–	20 Piece(s)	351759	<input type="checkbox"/>
	R05.3	Medium bronze	anod.	N	2	M5x40	20 Piece(s)	618735	<input checked="" type="checkbox"/>
	R05.5	Bronze	anod.	N	2	M5x40	20 Piece(s)	623781	<input type="checkbox"/>
	R06.2M	Jet black, matt	powd-c	N	–	–	20 Piece(s)	794349	<input type="checkbox"/>
			powd-c	Y	2	M5x50	20 Piece(s)	799793	<input type="checkbox"/>
R07.2	Traffic white	powd-c	N	2	M5x40	20 Piece(s)	618737	<input checked="" type="checkbox"/>	
powd-c		N	–	–	20 Piece(s)	775044	<input type="checkbox"/>		
35	R01.1	Natural silver	anod.	N	–	–	20 Piece(s)	775044	<input type="checkbox"/>
	R05.4	Dark bronze	anod.	Y	–	–	20 Piece(s)	627465	<input type="checkbox"/>
	R05.5	Bronze	anod.	N	–	–	20 Piece(s)	775135	<input type="checkbox"/>
	R07.2	Traffic white	powd-c	Y	–	–	20 Piece(s)	627468	<input type="checkbox"/>
powd-c			N	–	–	20 Piece(s)	775043	<input type="checkbox"/>	



								Nº
37	R01.1	Natural silver	anod.	Y	2	M5x50	20 Piece(s)	799795 <input type="checkbox"/>
			anod.	N	2	M5x50	20 Piece(s)	570401 <input type="checkbox"/>
	R01.3	Titanium	anod.	Y	2	M5x50	20 Piece(s)	799796 <input checked="" type="checkbox"/>
			anod.	N	2	M5x50	20 Piece(s)	487658 <input type="checkbox"/>
	R03.1	Brass matt	anod.	N	2	M5x50	20 Piece(s)	629478 <input type="checkbox"/>
	R04.1	Grey brown	powd-c	N	2	M5x50	20 Piece(s)	570402 <input type="checkbox"/>
	R05.3	Medium bronze	anod.	N	2	M5x50	20 Piece(s)	618738 <input checked="" type="checkbox"/>
	R05.5	Bronze	anod.	N	–	–	20 Piece(s)	351742 <input type="checkbox"/>
	R06.2M	Jet black, matt	powd-c	N	2	M5x50	20 Piece(s)	643331 <input type="checkbox"/>
	R07.2	Traffic white	powd-c	N	2	M5x45	20 Piece(s)	384421 <input type="checkbox"/>
powd-c			Y	2	M5x50	20 Piece(s)	799797 <input type="checkbox"/>	
powd-c			N	2	M5x50	20 Piece(s)	487657 <input type="checkbox"/>	
40	R01.1	Natural silver	anod.	Y	–	–	20 Piece(s)	627460 <input type="checkbox"/>
			anod.	N	–	–	20 Piece(s)	363584 <input type="checkbox"/>
	R01.2	Nickel silver	anod.	Y	–	–	20 Piece(s)	627456 <input type="checkbox"/>
	R01.3	Titanium	anod.	Y	–	–	20 Piece(s)	627458 <input type="checkbox"/>
	R03.1	Brass matt	anod.	Y	–	–	20 Piece(s)	627455 <input type="checkbox"/>
			anod.	N	–	–	20 Piece(s)	640188 <input type="checkbox"/>
	R04.1	Grey brown	powd-c	N	–	–	20 Piece(s)	363617 <input type="checkbox"/>
	R05.4	Dark bronze	anod.	Y	–	–	20 Piece(s)	627457 <input type="checkbox"/>
	R05.5	Bronze	anod.	Y	–	–	20 Piece(s)	627454 <input type="checkbox"/>
			anod.	N	–	–	20 Piece(s)	363619 <input type="checkbox"/>
	R07.1	Pure white	powd-c	N	–	–	20 Piece(s)	640189 <input type="checkbox"/>
	R07.2	Traffic white	powd-c	Y	–	–	20 Piece(s)	498770 <input type="checkbox"/>
R07.3	Cream	powd-c	Y	–	–	20 Piece(s)	498771 <input type="checkbox"/>	
		powd-c	N	–	–	20 Piece(s)	640263 <input type="checkbox"/>	
43	R01.1	Natural silver	anod.	Y	2	M5x55	20 Piece(s)	799799 <input type="checkbox"/>
			anod.	N	2	M5x55	20 Piece(s)	594331 <input type="checkbox"/>
	R01.3	Titanium	anod.	N	2	M5x55	20 Piece(s)	594333 <input type="checkbox"/>
	R04.1	Grey brown	powd-c	N	2	M5x55	20 Piece(s)	594335 <input type="checkbox"/>
	R05.3	Medium bronze	anod.	N	2	M5x55	20 Piece(s)	594336 <input type="checkbox"/>
	R05.5	Bronze	anod.	N	2	M5x55	20 Piece(s)	594337 <input type="checkbox"/>
	R07.2	Traffic white	powd-c	Y	2	M5x55	20 Piece(s)	799801 <input type="checkbox"/>
			powd-c	N	2	M5x55	20 Piece(s)	594338 <input type="checkbox"/>



## 2.2.4 Window handles – Secustik® for night ventilation



### Product description

- Handle with automatic locking
- Protection against being tampered with from the outside
- Patented locking mechanism to provide built-in basic security
- Lock-in position 90°
  - 45° lock-in position for night ventilation
- Ten-year performance warranty
- Classification in accordance with DIN EN 13126-3

### Scope of delivery

- 1 window handle
- For fixing screws, see table



### INFO

Further information on Secustik® → *from page 22*



### INFO

A flush-encased gearbox is required for use in aluminium profiles → *from page 110.*

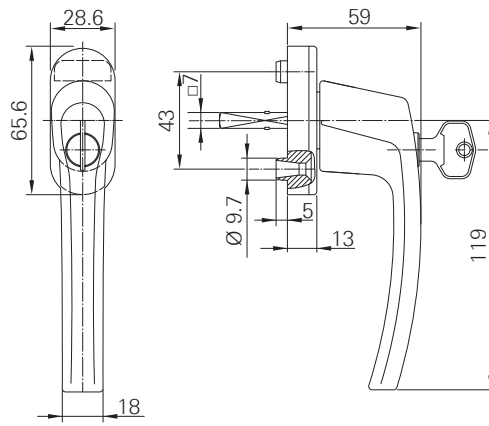
32	R01.1	Natural silver	anod.	Y	2	M5x45	20 Piece(s)	616693	■
	R01.3	Titanium	anod.	Y	2	M5x45	20 Piece(s)	616694	■
	R04.1	Grey brown	powd-c	Y	2	M5x45	20 Piece(s)	616695	■
	R05.3	Medium bronze	anod.	Y	2	M5x45	20 Piece(s)	616696	■
	R05.5	Bronze	anod.	Y	2	M5x45	20 Piece(s)	616697	■
	R07.2	Traffic white	powd-c	Y	2	M5x45	20 Piece(s)	616698	■
37	R01.1	Natural silver	anod.	Y	2	M5x50	20 Piece(s)	616699	■
	R01.2	Nickel silver	anod.	Y	2	M5x50	20 Piece(s)	616700	□
	R01.3	Titanium	anod.	Y	2	M5x50	20 Piece(s)	616701	■
	R04.1	Grey brown	powd-c	Y	2	M5x50	20 Piece(s)	607384	■
	R05.3	Medium bronze	anod.	Y	2	M5x50	20 Piece(s)	616702	■
	R05.5	Bronze	anod.	Y	2	M5x50	20 Piece(s)	616703	■
	R07.2	Traffic white	powd-c	Y	2	M5x50	20 Piece(s)	607395	■
	R03.1	Brass matt	anod.	Y	2	M5x50	20 Piece(s)	635031	■



								Nº
43	R01.1	Natural silver	anod.	Y	2	M5x55	20 Piece(s)	635032 <input checked="" type="checkbox"/>
	R01.2	Nickel silver	anod.	Y	2	M5x55	20 Piece(s)	635033 <input type="checkbox"/>
	R01.3	Titanium	anod.	Y	2	M5x55	20 Piece(s)	635034 <input checked="" type="checkbox"/>
	R03.1	Brass matt	anod.	Y	2	M5x55	20 Piece(s)	635035 <input checked="" type="checkbox"/>
	R04.1	Grey brown	powd-c	N	2	M5x55	20 Piece(s)	635036 <input checked="" type="checkbox"/>
	R05.3	Medium bronze	anod.	Y	2	M5x55	20 Piece(s)	635037 <input checked="" type="checkbox"/>
	R05.5	Bronze	anod.	Y	2	M5x55	20 Piece(s)	635038 <input checked="" type="checkbox"/>
	R07.2	Traffic white	powd-c	Y	2	M5x55	20 Piece(s)	635039 <input checked="" type="checkbox"/>



### 2.2.5 Window handles – lockable, 40 Nm



#### Product description

- Lockable handle with tested torque 40 Nm (basic security)
- Closed by a rotary cylinder with reversible key
- Can be unlocked and locked as required
- Can be operated when the handle is unlocked
- Lock-in position 90°
- Ten-year performance warranty
- Classification in accordance with DIN EN 13126-3

#### Scope of delivery










- 1 window handle
- 1 key
- For fixing screws, see table



#### INFO

A flush-encased gearbox is required for use in aluminium profiles → *from page 110.*

									Nº
24	R01.1	Natural silver	anod.	Y	-	-	-	15 Piece(s)	610560 <input type="checkbox"/>
	R07.2	Traffic white	powd-c	Y	-	-	-	15 Piece(s)	765011 <input type="checkbox"/>

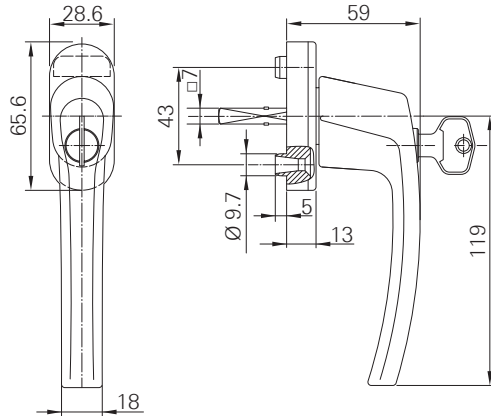
									N <sup>o</sup>
30	R01.1	Natural silver	anod.	Y	-	-	-	15 Piece(s)	227962 <input type="checkbox"/>
			anod.	N	-	-	-	15 Piece(s)	228125 <input type="checkbox"/>
	R01.3	Titanium	anod.	Y	-	-	-	15 Piece(s)	227863 <input type="checkbox"/>
			anod.	N	-	-	-	15 Piece(s)	228035 <input type="checkbox"/>
	R05.3	Medium bronze	anod.	Y	-	-	-	15 Piece(s)	227965 <input type="checkbox"/>
	R05.5	Bronze	anod.	Y	-	-	-	15 Piece(s)	227966 <input type="checkbox"/>
	R06.2M	Jet black, matt	powd-c	N	-	-	M5x50	15 Piece(s)	794358 <input type="checkbox"/>
	R07.2	Traffic white	powd-c	Y	-	-	-	15 Piece(s)	227868 <input type="checkbox"/>
		powd-c	N	-	-	-	15 Piece(s)	228039 <input type="checkbox"/>	
32	R01.1	Natural silver	anod.	N	-	2	M5x40	15 Piece(s)	618768 <input checked="" type="checkbox"/>
	R01.3	Titanium	anod.	N	-	2	M5x40	15 Piece(s)	618770 <input checked="" type="checkbox"/>
	R05.3	Medium bronze	anod.	N	-	2	M5x40	15 Piece(s)	618769 <input checked="" type="checkbox"/>
	R07.2	Traffic white	powd-c	N	-	2	M5x40	15 Piece(s)	618771 <input checked="" type="checkbox"/>
35	R01.1	Natural silver	anod.	Y	-	-	-	15 Piece(s)	227967 <input type="checkbox"/>
			anod.	N	-	2	M5x45	15 Piece(s)	280399 <input type="checkbox"/>
	R01.2	Nickel silver	anod.	N	-	-	-	15 Piece(s)	228131 <input type="checkbox"/>
	R01.3	Titanium	anod.	Y	-	-	-	15 Piece(s)	227871 <input type="checkbox"/>
			anod.	N	-	-	-	15 Piece(s)	228040 <input type="checkbox"/>
	R05.3	Medium bronze	anod.	Y	-	-	-	15 Piece(s)	227970 <input type="checkbox"/>
	R05.5	Bronze	anod.	N	-	-	-	15 Piece(s)	228134 <input type="checkbox"/>
			anod.	Y	-	-	-	15 Piece(s)	227971 <input type="checkbox"/>
	R07.1	Pure white	powd-c	N	-	-	-	15 Piece(s)	228043 <input type="checkbox"/>
	R07.2	Traffic white	powd-c	Y	-	-	-	15 Piece(s)	227876 <input type="checkbox"/>
		powd-c	N	-	2	M5x45	15 Piece(s)	246638 <input type="checkbox"/>	
R07.3	Cream	powd-c	N	-	-	-	15 Piece(s)	377606 <input type="checkbox"/>	
37	R01.1	Natural silver	anod.	N	-	2	M5x45	15 Piece(s)	384395 <input type="checkbox"/>
			anod.	Y	-	2	M5x45	15 Piece(s)	2004443 <input type="checkbox"/>
	R01.3	Titanium	anod.	N	-	2	M5x45	15 Piece(s)	384438 <input type="checkbox"/>
			anod.	Y	-	2	M5x45	15 Piece(s)	2004446 <input type="checkbox"/>
	R03.1	Brass matt	anod.	Y	-	2	M5x45	15 Piece(s)	2004444 <input type="checkbox"/>
	R05.3	Medium bronze	anod.	N	-	2	M5x45	15 Piece(s)	618772 <input checked="" type="checkbox"/>
	R05.5	Bronze	anod.	Y	-	2	M5x45	15 Piece(s)	2004445 <input type="checkbox"/>
	R06.2M	Jet black, matt	powd-c	Y	-	2	M5x45	15 Piece(s)	2004442 <input type="checkbox"/>
	R07.2	Traffic white	powd-c	N	-	2	M5x45	15 Piece(s)	384397 <input type="checkbox"/>
			powd-c	Y	-	2	M5x45	15 Piece(s)	2004441 <input type="checkbox"/>
R07.3	Cream	powd-c	Y	-	2	M5x45	15 Piece(s)	2004440 <input type="checkbox"/>	
40	R01.1	Natural silver	anod.	N	-	2	M5x50	15 Piece(s)	352026 <input type="checkbox"/>
	R01.3	Titanium	anod.	N	-	2	M5x55	15 Piece(s)	566529 <input type="checkbox"/>
	R04.1	Grey brown	powd-c	N	-	-	-	15 Piece(s)	377609 <input type="checkbox"/>
	R07.2	Traffic white	powd-c	N	-	2	M5x50	15 Piece(s)	331006 <input type="checkbox"/>
			powd-c	N	-	2	M5x55	15 Piece(s)	566528 <input type="checkbox"/>
	R07.3	Cream	powd-c	N	-	-	-	15 Piece(s)	377610 <input type="checkbox"/>



									N <sup>o</sup>
43	R01.1	Natural silver	anod.	N	-	2	M5x50	15 Piece(s)	594339 <input type="checkbox"/>
			anod.	Y	-	2	M5x50	15 Piece(s)	2004451 <input type="checkbox"/>
			anod.	N	-	2	M5x55	15 Piece(s)	618774 <input checked="" type="checkbox"/>
	R01.3	Titanium	anod.	N	-	2	M5x50	15 Piece(s)	594341 <input type="checkbox"/>
			anod. powd-c	Y	-	2	M5x50	15 Piece(s)	2004454 <input type="checkbox"/>
			anod.	N	-	2	M5x55	15 Piece(s)	618786 <input checked="" type="checkbox"/>
	R03.1	Brass matt	anod.	Y	-	2	M5x50	15 Piece(s)	2004452 <input type="checkbox"/>
	R04.4	Black brown	anod.	Y	-	2	M5x50	15 Piece(s)	2004447 <input type="checkbox"/>
	R05.5	Bronze	anod.	N	-	2	M5x50	15 Piece(s)	594345 <input type="checkbox"/>
			anod.	Y	-	2	M5x50	15 Piece(s)	2004453 <input type="checkbox"/>
	R06.2M	Jet black, matt	powd-c	Y	-	2	M5x50	15 Piece(s)	2004450 <input type="checkbox"/>
	R07.2	Traffic white	powd-c	N	-	2	M5x50	15 Piece(s)	594346 <input type="checkbox"/>
			powd-c	Y	-	2	M5x50	15 Piece(s)	2004449 <input type="checkbox"/>
			powd-c	N	-	2	M5x55	15 Piece(s)	618787 <input checked="" type="checkbox"/>
R07.3	Cream	powd-c	Y	-	2	M5x50	15 Piece(s)	2004448 <input type="checkbox"/>	



## 2.2.6 Window handles – lockable, 100 Nm



### Product description

- Lockable handle with tested torque 100 Nm
- Closed by a push cylinder with reversible key
- Simple and quick locking by pushing down the cylinder
- Meets the requirements of DIN EN 13126-3, RC 1 - RC 6
- Lock-in position 90°
- Ten-year performance warranty
- Classification in accordance with DIN EN 13126-3

### Scope of delivery

- 1 window handle
- 1 key
- For fixing screws, see table



### INFO

Further information on lockable handles → *from page 21.*



### INFO

A flush-encased gearbox is required for use in aluminium profiles → *from page 110.*

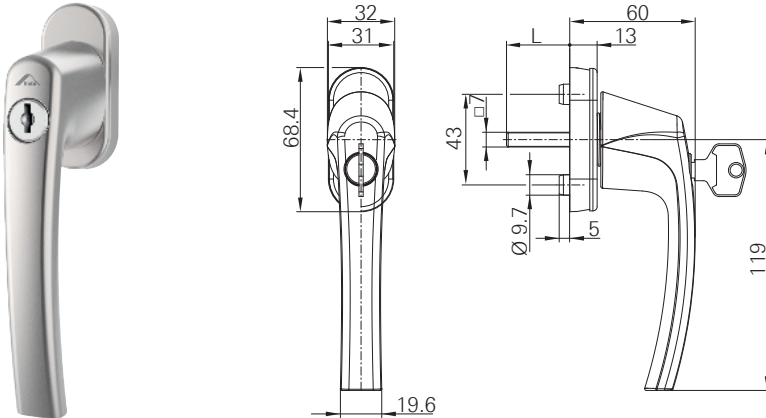
24	R01.1	Natural silver	anod.	N	–	2	M5x35	20 Piece(s)	858985 <input type="checkbox"/>
	R01.3	Titanium	anod.	N	–	2	M5x35	20 Piece(s)	858986 <input type="checkbox"/>
	R07.2	Traffic white	powd-c	N	–	2	M5x35	20 Piece(s)	858984 <input type="checkbox"/>
30	R01.1	Natural silver	anod.	N	–	–	–	15 Piece(s)	333964 <input type="checkbox"/>
	R07.2	Traffic white	powd-c	N	–	–	–	15 Piece(s)	333972 <input type="checkbox"/>
32	R01.1	Natural silver	anod.	Y	–	2	M5x40	15 Piece(s)	635057 <input type="checkbox"/>
			anod.	N	–	2	M5x40	15 Piece(s)	618788 <input type="checkbox"/>
	R01.2	Nickel silver	anod.	Y	–	2	M5x40	15 Piece(s)	635058 <input type="checkbox"/>
	R01.3	Titanium	anod.	Y	–	2	M5x40	15 Piece(s)	635059 <input type="checkbox"/>
			anod.	N	–	2	M5x40	15 Piece(s)	618790 <input type="checkbox"/>
	R03.1	Brass matt	anod.	Y	–	2	M5x40	15 Piece(s)	635060 <input type="checkbox"/>
	R05.3	Medium bronze	anod.	Y	–	2	M5x40	15 Piece(s)	635062 <input type="checkbox"/>
			anod.	N	–	2	M5x40	15 Piece(s)	618789 <input type="checkbox"/>
R07.2	Traffic white	powd-c	Y	–	2	M5x40	15 Piece(s)	635064 <input type="checkbox"/>	
		powd-c	N	–	2	M5x40	15 Piece(s)	618791 <input type="checkbox"/>	



									Nº
35	R01.1	Natural silver	anod.	Y	-	-	-	15 Piece(s)	333973 <input type="checkbox"/>
			anod.	N	-	2	M5x45	15 Piece(s)	347561 <input type="checkbox"/>
	R01.2	Nickel silver	anod.	N	-	-	-	15 Piece(s)	333984 <input type="checkbox"/>
	R01.3	Titanium	anod.	N	-	-	-	15 Piece(s)	333985 <input type="checkbox"/>
	R04.1	Grey brown	powd-c	N	-	-	-	15 Piece(s)	333987 <input type="checkbox"/>
	R05.3	Medium bronze	anod.	N	-	-	-	15 Piece(s)	333988 <input type="checkbox"/>
	R07.1	Pure white	powd-c	N	-	-	-	15 Piece(s)	333990 <input type="checkbox"/>
R07.2	Traffic white	powd-c	N	-	2	M5x45	15 Piece(s)	347563 <input type="checkbox"/>	
37	R01.1	Natural silver	anod.	Y	-	2	M5x45	15 Piece(s)	635065 <input checked="" type="checkbox"/>
			anod.	N	-	2	M5x45	15 Piece(s)	384422 <input type="checkbox"/>
	R01.2	Nickel silver	anod.	Y	-	2	M5x45	15 Piece(s)	635066 <input type="checkbox"/>
	R01.3	Titanium	anod.	Y	-	2	M5x45	15 Piece(s)	635067 <input checked="" type="checkbox"/>
			anod.	N	-	2	M5x45	15 Piece(s)	385078 <input type="checkbox"/>
	R03.1	Brass matt	anod.	Y	-	2	M5x45	15 Piece(s)	635068 <input checked="" type="checkbox"/>
	R04.1	Grey brown	powd-c	N	-	2	M5x45	20 Piece(s)	858974 <input type="checkbox"/>
	R05.3	Medium bronze	anod.	Y	-	2	M5x45	15 Piece(s)	635069 <input checked="" type="checkbox"/>
			anod.	N	-	2	M5x45	15 Piece(s)	618792 <input checked="" type="checkbox"/>
	R05.5	Bronze	anod.	N	-	2	M5x45	15 Piece(s)	624451 <input type="checkbox"/>
	R07.2	Traffic white	powd-c	N	-	2	M5x45	15 Piece(s)	635071 <input checked="" type="checkbox"/>
powd-c			N	-	2	M5x45	15 Piece(s)	384424 <input type="checkbox"/>	
R07.3	Cream	powd-c	N	-	2	M5x45	20 Piece(s)	858975 <input type="checkbox"/>	
40	R01.1	Natural silver	anod.	N	-	2	M5x50	15 Piece(s)	623134 <input type="checkbox"/>
	R01.3	Titanium	anod.	N	-	2	M5x50	15 Piece(s)	331004 <input type="checkbox"/>
	R07.2	Traffic white	powd-c	N	-	2	M5x50	15 Piece(s)	623175 <input type="checkbox"/>
43	R01.1	Natural silver	anod.	Y	-	-	-	15 Piece(s)	572421 <input checked="" type="checkbox"/>
			anod.	Y	-	2	M5x50	15 Piece(s)	635072 <input checked="" type="checkbox"/>
			anod.	N	-	2	M5x55	15 Piece(s)	618793 <input checked="" type="checkbox"/>
	R01.2	Nickel silver	anod.	Y	-	-	-	15 Piece(s)	572422 <input type="checkbox"/>
	R01.3	Titanium	anod.	Y	-	-	-	15 Piece(s)	572423 <input checked="" type="checkbox"/>
			anod.	Y	-	2	M5x50	15 Piece(s)	635074 <input checked="" type="checkbox"/>
			anod.	N	-	2	M5x55	15 Piece(s)	618805 <input checked="" type="checkbox"/>
	R03.1	Brass matt	anod.	Y	-	2	M5x50	15 Piece(s)	635075 <input checked="" type="checkbox"/>
	R04.1	Grey brown	powd-c	Y	-	2	M5x50	15 Piece(s)	635076 <input checked="" type="checkbox"/>
	R05.3	Medium bronze	anod.	Y	-	-	-	15 Piece(s)	572427 <input checked="" type="checkbox"/>
			anod.	Y	-	2	M5x50	15 Piece(s)	635077 <input checked="" type="checkbox"/>
			anod.	N	-	2	M5x55	15 Piece(s)	618794 <input checked="" type="checkbox"/>
	R07.2	Traffic white	powd-c	Y	-	-	-	15 Piece(s)	572429 <input checked="" type="checkbox"/>
			powd-c	Y	-	2	M5x50	15 Piece(s)	635079 <input checked="" type="checkbox"/>
powd-c			N	-	2	M5x50	15 Piece(s)	594354 <input type="checkbox"/>	
powd-c			N	-	2	M5x55	15 Piece(s)	618806 <input checked="" type="checkbox"/>	
45			powd-c	N	-	-	-	15 Piece(s)	347505 <input type="checkbox"/>



## 2.2.7 Window handles – lockable, 200 Nm



### Product description

- Lockable handle with tested torque 200 Nm
- Closed by a push cylinder with reversible key
- Simple and quick locking by pushing down the cylinder
- Meets the requirements of DIN EN 13126-3, RC 1 - RC 6
- Lock-in position 90°
- Ten-year performance warranty
- Classification in accordance with DIN EN 13126-3

### Scope of delivery

- 1 window handle
- 1 key
- Without fixing screws



### INFO

Further information on lockable handles → *from page 21.*



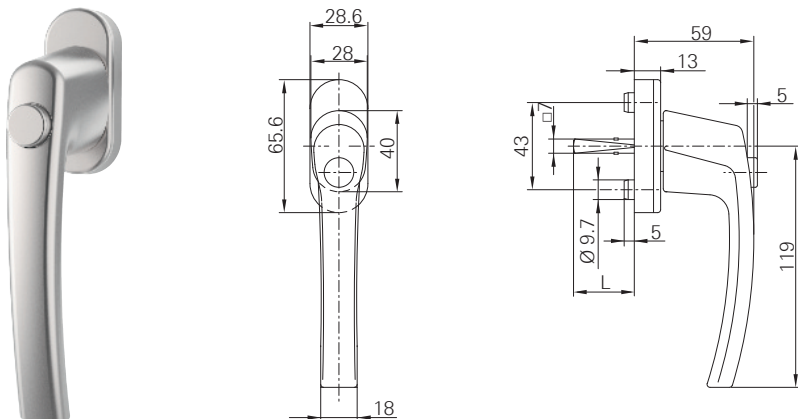
### INFO

A flush-encased gearbox is required for use in aluminium profiles → *from page 110.*

35	R01.1	Natural silver	anod.	Y	-	-	15 Piece(s)	227947 <input type="checkbox"/>
	R01.3	Titanium	anod.	Y	-	-	15 Piece(s)	227840 <input type="checkbox"/>
	R05.3	Medium bronze	anod.	Y	-	-	15 Piece(s)	227950 <input type="checkbox"/>
	R05.5	Bronze	anod.	Y	-	-	15 Piece(s)	227951 <input type="checkbox"/>
	R07.2	Traffic white	powd-c	Y	-	-	15 Piece(s)	227844 <input type="checkbox"/>



## 2.2.8 Window handles – push-to-open



### Product description

- Window handle with push-to-open mechanism
- The push function makes locking and unlocking possible
- Lock-in position 90°
- Ten-year performance warranty
- Classification in accordance with DIN EN 13126-3

### Scope of delivery

- 1 window handle
- For fixing screws, see table




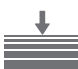






### INFO

A flush-encased gearbox is required for use in aluminium profiles → *from page 110.*

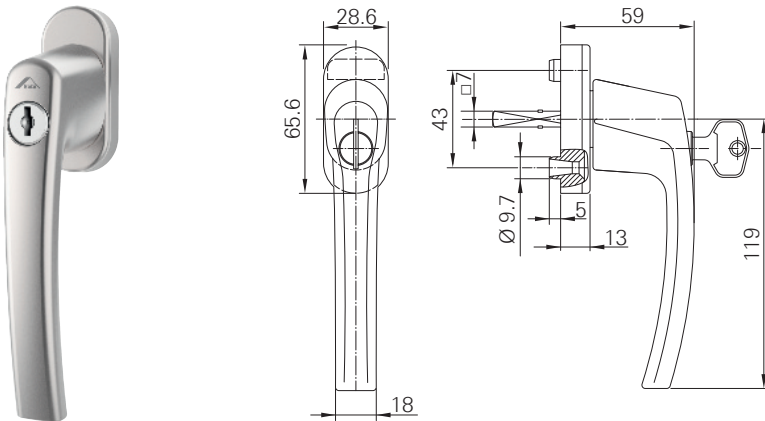
24	R01.1	Natural silver	anod.	N	2	M5x35	20 Piece(s)	858988	<input type="checkbox"/>
	R01.3	Titanium	anod.	N	2	M5x35	20 Piece(s)	858989	<input type="checkbox"/>
	R07.2	Traffic white	powd-c	N	2	M5x35	20 Piece(s)	858987	<input type="checkbox"/>
30	R01.1	Natural silver	anod.	N	-	-	15 Piece(s)	228135	<input type="checkbox"/>
	R07.2	Traffic white	powd-c	N	-	-	15 Piece(s)	228049	<input type="checkbox"/>
32	R01.1	Natural silver	anod.	N	2	M5x40	15 Piece(s)	618740	<input checked="" type="checkbox"/>
	R01.3	Titanium	anod.	N	2	M5x40	15 Piece(s)	618742	<input checked="" type="checkbox"/>
	R05.3	Medium bronze	anod.	N	2	M5x40	15 Piece(s)	618741	<input checked="" type="checkbox"/>
	R07.2	Traffic white	powd-c	N	2	M5x40	15 Piece(s)	618807	<input checked="" type="checkbox"/>
35	R01.1	Natural silver	anod.	N	-	-	15 Piece(s)	228140	<input type="checkbox"/>
	R01.3	Titanium	anod.	N	-	-	15 Piece(s)	228050	<input type="checkbox"/>
	R03.1	Brass matt	anod.	N	-	-	15 Piece(s)	228142	<input type="checkbox"/>
	R04.1	Grey brown	powd-c	N	-	-	15 Piece(s)	228052	<input type="checkbox"/>
	R05.3	Medium bronze	anod.	N	-	-	15 Piece(s)	228143	<input type="checkbox"/>
	R05.5	Bronze	anod.	N	-	-	15 Piece(s)	228144	<input type="checkbox"/>
	R07.2	Traffic white	powd-c	N	-	-	15 Piece(s)	228054	<input type="checkbox"/>



								Nº
37	R01.1	Natural silver	anod.	N	2	M5x45	15 Piece(s)	384435 <input type="checkbox"/>
			anod.	Y	2	M5x45	15 Piece(s)	2004427 <input type="checkbox"/>
	R01.3	Titanium	anod.	N	2	M5x45	15 Piece(s)	385079 <input type="checkbox"/>
			anod.	Y	2	M5x45	15 Piece(s)	2004430 <input type="checkbox"/>
	R03.1	Brass matt	anod.	Y	2	M5x45	15 Piece(s)	2004428 <input type="checkbox"/>
	R04.1	Grey brown	powd-c	N	2	M5x45	20 Piece(s)	858977 <input type="checkbox"/>
	R05.3	Medium bronze	anod.	N	2	M5x45	15 Piece(s)	618743 <input checked="" type="checkbox"/>
	R05.5	Bronze	anod.	Y	2	M5x45	15 Piece(s)	2004429 <input type="checkbox"/>
	R06.2M	Jet black, matt	powd-c	Y	2	M5x45	15 Piece(s)	2004426 <input type="checkbox"/>
	R07.2	Traffic white	powd-c	N	2	M5x45	15 Piece(s)	384437 <input type="checkbox"/>
			powd-c	Y	2	M5x45	15 Piece(s)	2004425 <input type="checkbox"/>
R07.3	Cream	powd-c	N	2	M5x45	20 Piece(s)	858976 <input type="checkbox"/>	
		powd-c	Y	2	M5x45	15 Piece(s)	2004424 <input type="checkbox"/>	
43	R01.1	Natural silver	anod.	N	2	M5x50	15 Piece(s)	598416 <input type="checkbox"/>
			powd-c	Y	2	M5x50	15 Piece(s)	2004435 <input type="checkbox"/>
			anod.	N	2	M5x55	15 Piece(s)	618744 <input checked="" type="checkbox"/>
	R01.3	Titanium	anod.	N	2	M5x55	15 Piece(s)	618766 <input checked="" type="checkbox"/>
			anod.	Y	2	M5x50	15 Piece(s)	2004438 <input type="checkbox"/>
	R03.1	Brass matt	anod.	Y	2	M5x50	15 Piece(s)	2004436 <input type="checkbox"/>
	R05.5	Bronze	anod.	N	2	M5x50	15 Piece(s)	598421 <input type="checkbox"/>
			anod.	Y	2	M5x50	15 Piece(s)	2004437 <input type="checkbox"/>
	R06.2M	Jet black, matt	powd-c	Y	2	M5x50	15 Piece(s)	2004434 <input type="checkbox"/>
	R07.2	Traffic white	powd-c	N	2	M5x50	15 Piece(s)	598422 <input type="checkbox"/>
			powd-c	Y	2	M5x50	15 Piece(s)	2004433 <input type="checkbox"/>
			powd-c	N	2	M5x55	15 Piece(s)	618767 <input checked="" type="checkbox"/>
	R07.3	Cream	powd-c	Y	2	M5x50	15 Piece(s)	2004432 <input type="checkbox"/>



## 2.2.9 Window handles – TiltFirst, lockable, 40 Nm



### Product description

- For window systems with the TiltFirst application (tilting before turning)
- Closed by a rotary cylinder with reversible key
- Can be locked in the 0° and 90° position
- Lock-in position 90°
- Ten-year performance warranty
- Classification in accordance with DIN EN 13126-3

### Scope of delivery

- 1 window handle
- 1 key
- For fixing screws, see table



### INFO

Further information on TiltFirst → *from page 24.*



### INFO

A flush-encased gearbox is required for use in aluminium profiles → *from page 110.*

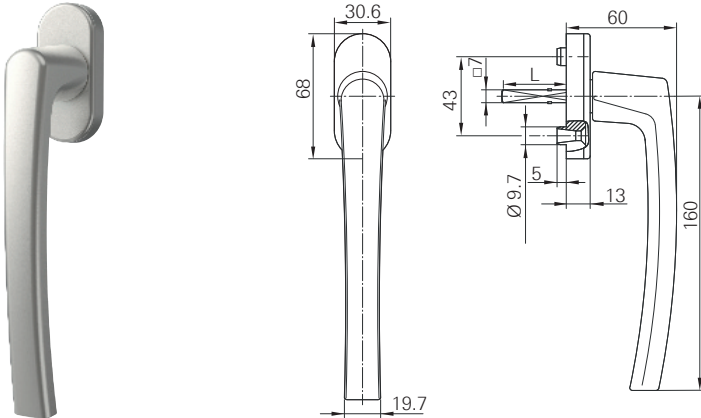
24	R01.1	Natural silver	anod.	Y	2	M5x40	15 Piece(s)	799843 <input type="checkbox"/>	
			anod.	N	2	M5x35	20 Piece(s)	858991 <input type="checkbox"/>	
	R07.2	Traffic white	powd-c	Y	2	M5x40	15 Piece(s)	799845 <input type="checkbox"/>	
			powd-c	N	2	M5x35	20 Piece(s)	858990 <input type="checkbox"/>	
32	R01.1	Natural silver	anod.	N	2	M5x40	15 Piece(s)	618808 <input checked="" type="checkbox"/>	
			anod.	Y	2	M5x45	15 Piece(s)	799847 <input type="checkbox"/>	
	R01.2	Nickel silver	anod.	Y	–	–	15 Piece(s)	335310 <input type="checkbox"/>	
	R01.3	Titanium	anod.	Y	2	M5x45	15 Piece(s)	799848 <input type="checkbox"/>	
	R03.1	Brass matt	anod.	Y	–	–	15 Piece(s)	335311 <input checked="" type="checkbox"/>	
	R05.4	Dark bronze	anod.	Y	–	–	15 Piece(s)	335312 <input type="checkbox"/>	
R07.2	Traffic white	powd-c	N	2	M5x40	15 Piece(s)	618811 <input checked="" type="checkbox"/>		
		powd-c	Y	2	M5x45	15 Piece(s)	799849 <input type="checkbox"/>		



								Nº
37	R01.1	Natural silver	anod.	N	2	M5x45	15 Piece(s)	618812 <input checked="" type="checkbox"/>
			anod.	Y	2	M5x50	15 Piece(s)	799851 <input type="checkbox"/>
	R01.3	Titanium	anod.	N	2	M5x45	15 Piece(s)	618814 <input checked="" type="checkbox"/>
	R04.1	Grey brown	powd-c	Y	-	-	15 Piece(s)	347801 <input type="checkbox"/>
			powd-c	N	2	M5x45	20 Piece(s)	858978 <input type="checkbox"/>
	R05.3	Medium bronze	anod.	N	2	M5x45	15 Piece(s)	618813 <input checked="" type="checkbox"/>
	R05.5	Bronze	anod.	Y	-	-	15 Piece(s)	494034 <input checked="" type="checkbox"/>
	R07.2	Traffic white	powd-c	N	2	M5x45	15 Piece(s)	618815 <input checked="" type="checkbox"/>
R07.3	Cream	powd-c	N	2	M5x45	20 Piece(s)	858979 <input type="checkbox"/>	
40	R01.1	Natural silver	anod.	Y	-	-	15 Piece(s)	377611 <input type="checkbox"/>
	R01.3	Titanium	anod.	Y	-	-	15 Piece(s)	377612 <input type="checkbox"/>
	R07.2	Traffic white	powd-c	Y	-	-	15 Piece(s)	377615 <input type="checkbox"/>
43	R01.1	Natural silver	anod.	N	2	M5x50	15 Piece(s)	594355 <input type="checkbox"/>
	R01.3	Titanium	anod.	N	2	M5x50	15 Piece(s)	594357 <input type="checkbox"/>
	R07.2	Traffic white	powd-c	N	2	M5x50	15 Piece(s)	594362 <input type="checkbox"/>
			powd-c	N	2	M5x55	15 Piece(s)	618819 <input checked="" type="checkbox"/>



## 2.2.10 Window handles – comfort windows



### Product description

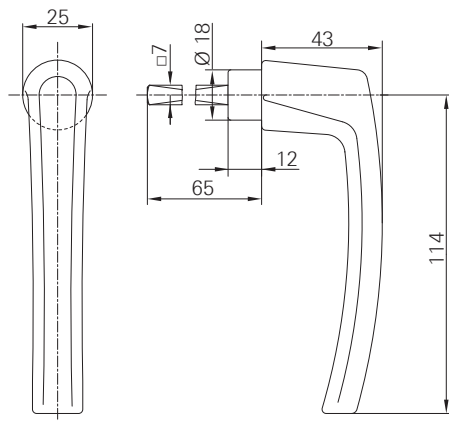
- Basic handle without additional functions
- Lock-in position 90°
- 10-year performance warranty
- Classification in accordance with DIN EN 13126-3

### Scope of delivery

- 1 window handle
- Without fixing screws

35	R01.1	Natural silver	anod.	Y	-	-	1 Piece(s)	211598	
	R01.2	Nickel silver	anod.	Y	-	-	1 Piece(s)	211599	
	R01.3	Titanium	anod.	Y	-	-	1 Piece(s)	288728	
	R01.5	Silver	anod.	Y	-	-	1 Piece(s)	623491	
	R05.3	Medium bronze	anod.	Y	-	-	1 Piece(s)	211597	
	R05.4	Dark bronze	anod.	Y	-	-	1 Piece(s)	288727	
	R06.2M	Jet black, matt	powd-c	Y	-	-	1 Piece(s)	794352	
	R07.2	Traffic white	powd-c	Y	-	-	1 Piece(s)	211596	
43	R01.1	Natural silver	anod.	Y	-	-	1 Piece(s)	601161	
	R01.2	Nickel silver	anod.	Y	-	-	1 Piece(s)	601162	
	R01.3	Titanium	anod.	Y	-	-	1 Piece(s)	601163	
	R05.3	Medium bronze	anod.	Y	-	-	1 Piece(s)	601164	
	R05.4	Dark bronze	anod.	Y	-	-	1 Piece(s)	601165	
	R07.2	Traffic white	powd-c	Y	-	-	1 Piece(s)	601166	

## 2.2.11 Window handles – service handle



### Product description

- Service handle without additional functions

### Scope of delivery

- 1 window handle
- For fixing screws, see table



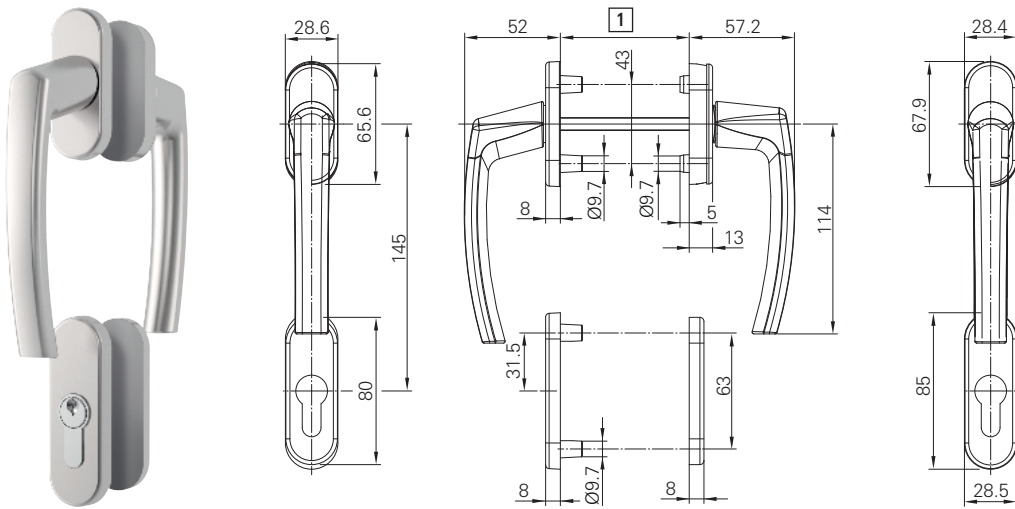
### INFO

An escutcheon for service handle is required for use with Roto Line. → *from page 81*

65	R07.2	Traffic white	powd-c	N	-	-	30 Piece(s)	257628 <input type="checkbox"/>



## 2.2.12 Balcony door handles – escutcheon with handle on the outside and inside



[1] Door leaf thickness depending on spindle length:

Spindle length 100 mm = 48 to 83 mm

Spindle length 127 mm = 52 to 110 mm



### Product description

- Handle set with escutcheon version
- Outside: handle securely pinned
- Inside and outside: standard handle with profile cylinder escutcheon
- Concealed screw fixing
- 90° lock-in position
- Ten-year performance warranty

### Scope of delivery

- 2 window handles
- 2 profile cylinder escutcheons
- 4 fixing screws, can be shortened






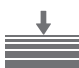




### INFO

Profile cylinder is not included in the scope of delivery.



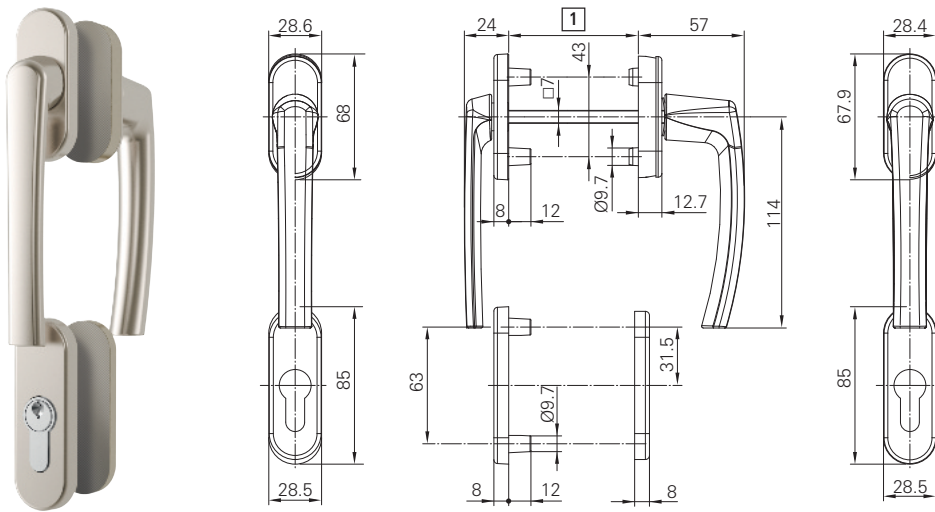
### INFO

A flush-encased gearbox is required for use in aluminium profiles → *from page 110*.

								Nº
100	R01.1	Natural silver	anod.	Y	4	M5x100	1 Piece(s)	228292 <input checked="" type="checkbox"/>
			anod.	N	4	M5x100	1 Piece(s)	228380 <input type="checkbox"/>
	R01.2	Nickel silver	anod.	Y	4	M5x100	1 Piece(s)	228293 <input type="checkbox"/>
			anod.	N	4	M5x100	1 Piece(s)	228381 <input type="checkbox"/>
	R01.3	Titanium	anod.	Y	4	M5x100	1 Piece(s)	228233 <input checked="" type="checkbox"/>
			anod.	N	4	M5x100	1 Piece(s)	228333 <input type="checkbox"/>
	R03.1	Brass matt	anod.	Y	4	M5x100	1 Piece(s)	228294 <input checked="" type="checkbox"/>
			anod.	N	4	M5x100	1 Piece(s)	228382 <input type="checkbox"/>
	R04.1	Grey brown	powd-c	Y	4	M5x100	1 Piece(s)	228235 <input checked="" type="checkbox"/>
			powd-c	N	4	M5x100	1 Piece(s)	228335 <input type="checkbox"/>
	R05.3	Medium bronze	anod.	Y	4	M5x100	1 Piece(s)	228295 <input checked="" type="checkbox"/>
			anod.	N	4	M5x100	1 Piece(s)	228383 <input type="checkbox"/>
	R05.5	Bronze	anod.	Y	4	M5x100	1 Piece(s)	228296 <input checked="" type="checkbox"/>
			anod.	N	4	M5x100	1 Piece(s)	228384 <input type="checkbox"/>
	R06.2M	Jet black, matt	powd-c	N	4	M5x100	1 Piece(s)	794348 <input type="checkbox"/>
	R07.1	Pure white	powd-c	Y	4	M5x100	1 Piece(s)	228236 <input type="checkbox"/>
powd-c			N	4	M5x100	1 Piece(s)	228336 <input type="checkbox"/>	
R07.2	Traffic white	powd-c	Y	4	M5x100	1 Piece(s)	228237 <input checked="" type="checkbox"/>	
		powd-c	N	4	M5x100	1 Piece(s)	228337 <input type="checkbox"/>	
127	R01.1	Natural silver	anod.	N	4	M5x110	1 Piece(s)	601694 <input type="checkbox"/>
	R01.3	Titanium	anod.	N	4	M5x110	1 Piece(s)	601706 <input type="checkbox"/>
	R07.2	Traffic white	powd-c	N	4	M5x110	1 Piece(s)	601711 <input type="checkbox"/>



### 2.2.13 Balcony door handles – escutcheon with flat handle on the outside and escutcheon with handle on the inside



[1] Door leaf thickness depending on spindle length:

Spindle length 100 mm = 48 to 83 mm

Spindle length 127 mm = 52 to 110 mm



#### Product description

- Handle set with escutcheon version
- Outside: handle securely pinned
- Outside: flat handle with profile cylinder escutcheon
- Inside: standard handle with profile cylinder escutcheon
- Concealed screw fixing
- 90° lock-in position
- Ten-year performance warranty

#### Scope of delivery









- 2 window handles (flat handle, standard handle)
- 2 profile cylinder escutcheons
- 4 fixing screws, can be shortened



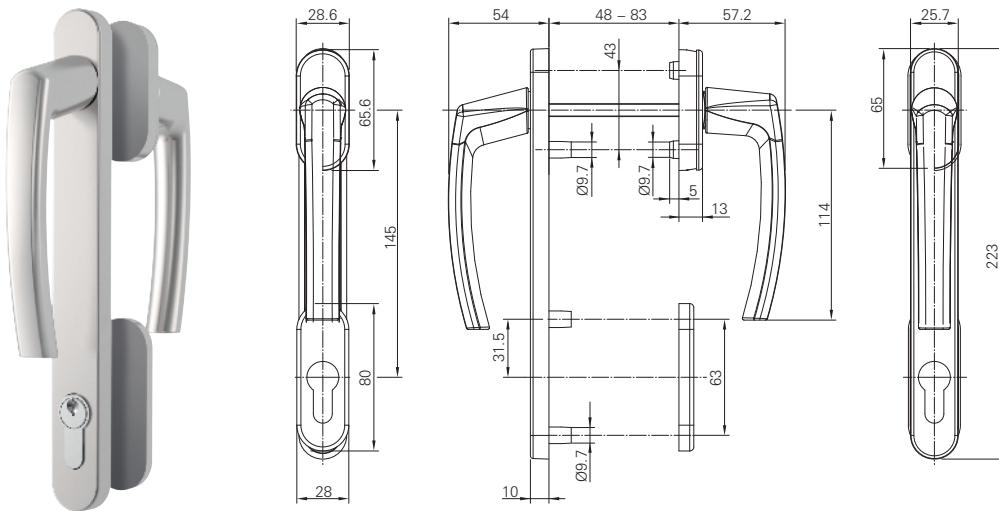
#### INFO

Profile cylinder is not included in the scope of delivery.

						#			Nº
100	R01.1	Natural silver	anod.	Y	4	M5x100	1 Piece(s)	228302	<input checked="" type="checkbox"/>
			anod.	N	4	M5x100	1 Piece(s)	228390	<input type="checkbox"/>
	R01.3	Titanium	anod.	Y	4	M5x100	1 Piece(s)	228245	<input checked="" type="checkbox"/>
			anod.	N	4	M5x100	1 Piece(s)	228345	<input type="checkbox"/>
	R04.1	Grey brown	powd-c	N	4	M5x100	1 Piece(s)	228347	<input type="checkbox"/>
	R05.3	Medium bronze	anod.	Y	4	M5x100	1 Piece(s)	228305	<input checked="" type="checkbox"/>
			anod.	N	4	M5x100	1 Piece(s)	228393	<input type="checkbox"/>
	R05.5	Bronze	anod.	Y	4	M5x100	1 Piece(s)	228306	<input checked="" type="checkbox"/>
			anod.	N	4	M5x100	1 Piece(s)	228394	<input type="checkbox"/>
	R07.2	Traffic white	powd-c	Y	4	M5x100	1 Piece(s)	228249	<input checked="" type="checkbox"/>
			powd-c	N	4	M5x100	1 Piece(s)	228349	<input type="checkbox"/>

								Nº
127	R01.1	Natural silver	anod.	N	4	M5x110	1 Piece(s)	601712 <input type="checkbox"/>
	R01.3	Titanium	anod.	N	4	M5x110	1 Piece(s)	601714 <input type="checkbox"/>
	R06.2M	Jet black, matt	powd-c	N	4	M5x110	1 Piece(s)	794354 <input type="checkbox"/>
	R07.2	Traffic white	powd-c	N	4	M5x110	1 Piece(s)	601729 <input type="checkbox"/>

### 2.2.14 Balcony door handles – long plate on the outside and escutcheon with handle on the inside



#### Product description

- Outside: standard handle with long plate, securely pinned
- Inside: standard handle with profile cylinder escutcheon
- Concealed screw fixing
- Lock-in position 90°
- Ten-year performance warranty

#### Scope of delivery

- 2 window handles
- 1 profile cylinder escutcheon
- 4 fixing screws











#### INFO

Profile cylinder is not included in the scope of delivery.



#### INFO

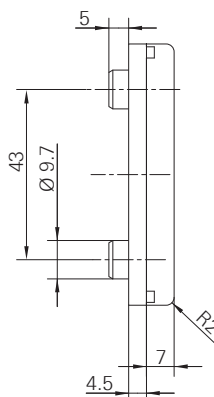
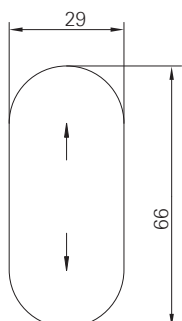
A flush-encased gearbox is required for use in aluminium profiles → *from page 110.*

								Nº
100	R01.1	Natural silver	anod.	N	4	M5x100	1 Piece(s)	228385 <input type="checkbox"/>
	R01.3	Titanium	anod.	N	4	M5x100	1 Piece(s)	228339 <input type="checkbox"/>
	R07.2	Traffic white	powd-c	N	4	M5x100	1 Piece(s)	228343 <input type="checkbox"/>



## 2.2.15 Accessories

### 2.2.15.1 Escutcheon for service handle



#### Product description

- Handle hole concealed escutcheon with vertically movable cover
- In conjunction with Roto Line service handle → *from page 76*.

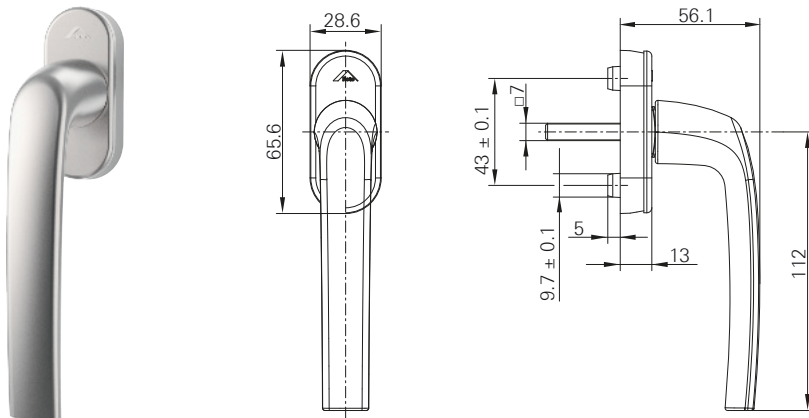
#### Scope of delivery

- 1 escutcheon
- Without fixing screws

				N <sup>o</sup>
R01.1	Natural silver	anod.	20 Piece(s)	228100 <input type="checkbox"/>
R01.2	Nickel silver	anod.	20 Piece(s)	228101 <input type="checkbox"/>
R01.3	Titanium	anod.	20 Piece(s)	228010 <input type="checkbox"/>
R03.1	Brass matt	anod.	20 Piece(s)	228102 <input type="checkbox"/>
R04.1	Grey brown	powd-c	20 Piece(s)	228012 <input type="checkbox"/>
R05.3	Medium bronze	anod.	20 Piece(s)	228103 <input type="checkbox"/>
R05.5	Bronze	anod.	20 Piece(s)	228104 <input type="checkbox"/>
R07.2	Traffic white	powd-c	20 Piece(s)	228014 <input type="checkbox"/>

## 2.3 Roto Samba

### 2.3.1 Window handles – standard



#### Product description

- Basic handle without additional functions
- Lock-in position 90°
- Ten-year performance warranty
- Classification in accordance with DIN EN 13126-3

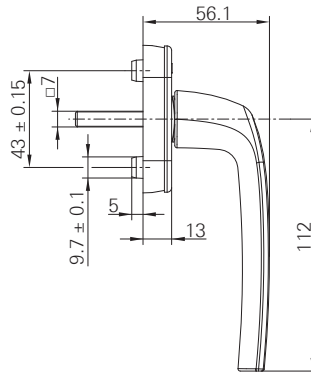
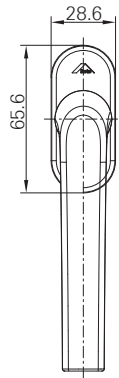
#### Scope of delivery

- 1 window handle
- 2 fixing screws

32	R01.1	Natural silver	anod.	Y	2	M5x40	100 Piece(s)	639648	■
	R01.3	Titanium	anod.	Y	2	M5x40	100 Piece(s)	639667	■
	R03.1	Brass matt	anod.	Y	2	M5x40	100 Piece(s)	639651	■
	R04.1	Grey brown	powd-c	Y	2	M5x40	100 Piece(s)	810076	□
	R05.5	Bronze	anod.	Y	2	M5x40	100 Piece(s)	639654	■
	R07.2	Traffic white	powd-c	Y	2	M5x40	100 Piece(s)	810075	□
37	R01.1	Natural silver	anod.	Y	2	M5x45	100 Piece(s)	639649	■
	R01.3	Titanium	anod.	Y	2	M5x45	100 Piece(s)	639668	■
	R03.1	Brass matt	anod.	Y	2	M5x45	100 Piece(s)	639652	■
	R04.1	Grey brown	powd-c	Y	2	M5x45	100 Piece(s)	787954	■
	R05.5	Bronze	anod.	Y	2	M5x45	100 Piece(s)	639665	■
	R07.2	Traffic white	powd-c	Y	2	M5x45	100 Piece(s)	787955	■
43	R01.1	Natural silver	anod.	Y	2	M5x50	100 Piece(s)	639650	■
	R01.3	Titanium	anod.	Y	2	M5x50	100 Piece(s)	639669	■
	R03.1	Brass matt	anod.	Y	2	M5x50	100 Piece(s)	639653	■
	R04.1	Grey brown	powd-c	Y	2	M5x50	100 Piece(s)	787956	■
	R05.5	Bronze	anod.	Y	2	M5x50	100 Piece(s)	639666	■
	R07.2	Traffic white	powd-c	Y	2	M5x50	100 Piece(s)	787957	■



### 2.3.2 Window handles – standard for night ventilation



#### Product description

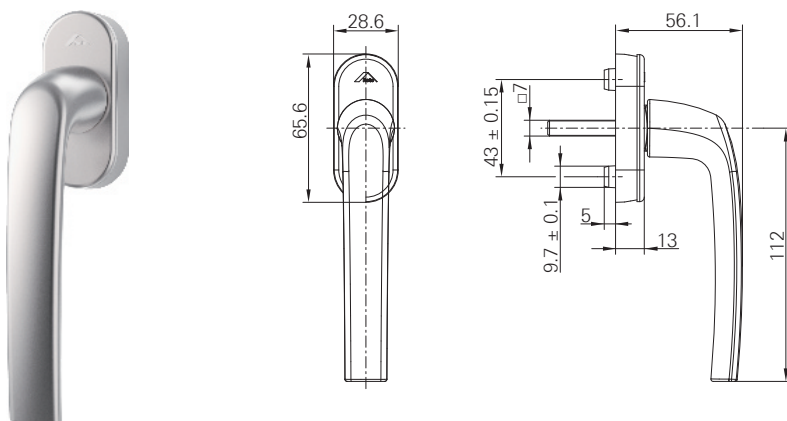
- Basic handle without additional functions
- Lock-in position 90°, lock-in position 45° for night ventilation
- Ten-year performance warranty
- Classification in accordance with DIN EN 13126-3

#### Scope of delivery

- 1 window handle
- 2 fixing screws

32	R01.1	Natural silver	anod.	Y	2	M5x40	100 Piece(s)	639676	<input type="checkbox"/>
	R01.3	Titanium	anod.	Y	2	M5x40	100 Piece(s)	639695	<input type="checkbox"/>
	R04.1	Grey brown	powd-c	Y	2	M5x40	100 Piece(s)	639673	<input type="checkbox"/>
	R05.5	Bronze	anod.	Y	2	M5x40	100 Piece(s)	639682	<input type="checkbox"/>
	R07.2	Traffic white	powd-c	Y	2	M5x40	100 Piece(s)	639670	<input type="checkbox"/>
37	R01.1	Natural silver	anod.	Y	2	M5x45	100 Piece(s)	639677	<input type="checkbox"/>
	R01.3	Titanium	anod.	Y	2	M5x45	100 Piece(s)	639696	<input type="checkbox"/>
	R03.1	Brass matt	anod.	Y	2	M5x45	100 Piece(s)	639680	<input type="checkbox"/>
	R04.1	Grey brown	powd-c	Y	2	M5x45	100 Piece(s)	787958	<input type="checkbox"/>
	R05.5	Bronze	anod.	Y	2	M5x45	100 Piece(s)	639683	<input type="checkbox"/>
	R07.2	Traffic white	powd-c	Y	2	M5x45	100 Piece(s)	787959	<input type="checkbox"/>
43	R01.1	Natural silver	anod.	Y	2	M5x50	100 Piece(s)	639678	<input type="checkbox"/>
	R01.3	Titanium	anod.	Y	2	M5x50	100 Piece(s)	639697	<input type="checkbox"/>
	R03.1	Brass matt	anod.	Y	2	M5x50	100 Piece(s)	639681	<input type="checkbox"/>
	R04.1	Grey brown	powd-c	Y	2	M5x50	100 Piece(s)	787960	<input type="checkbox"/>
	R05.5	Bronze	anod.	Y	2	M5x50	100 Piece(s)	639684	<input type="checkbox"/>
	R07.2	Traffic white	powd-c	Y	2	M5x50	100 Piece(s)	787961	<input type="checkbox"/>

### 2.3.3 Window handles – Secustik®



#### Product description

- Handle with automatic locking
- Protection against being tampered with from the outside
- Patented locking mechanism to provide built-in basic security
- Lock-in position 90°
- Ten-year performance warranty
- Classification in accordance with DIN EN 13126-3

#### Scope of delivery

- 1 window handle
- 2 fixing screws

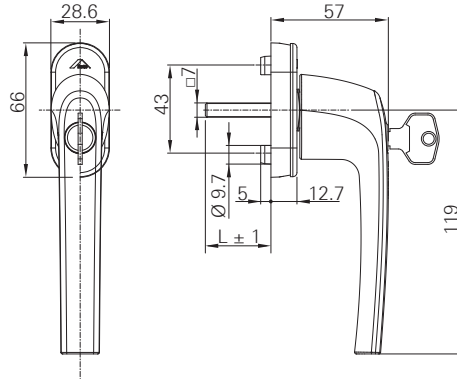
#### **i** INFO

Further information on Secustik® → *from page 22*

32	R01.1	Natural silver	anod.	Y	2	M5x40	80 Piece(s)	639704	<input type="checkbox"/>
	R01.3	Titanium	anod.	Y	2	M5x40	80 Piece(s)	639715	<input type="checkbox"/>
	R04.1	Grey brown	powd-c	Y	2	M5x40	80 Piece(s)	639701	<input type="checkbox"/>
	R05.5	Bronze	anod.	Y	2	M5x40	80 Piece(s)	639712	<input type="checkbox"/>
	R07.2	Traffic white	powd-c	Y	2	M5x40	80 Piece(s)	639698	<input type="checkbox"/>
37	R01.1	Natural silver	anod.	Y	2	M5x50	80 Piece(s)	639706	<input type="checkbox"/>
	R01.3	Titanium	anod.	Y	2	M5x50	80 Piece(s)	639716	<input type="checkbox"/>
	R03.1	Brass matt	anod.	Y	2	M5x50	80 Piece(s)	639710	<input type="checkbox"/>
	R04.1	Grey brown	powd-c	Y	2	M5x50	80 Piece(s)	639702	<input type="checkbox"/>
	R05.5	Bronze	anod.	Y	2	M5x50	80 Piece(s)	639713	<input type="checkbox"/>
	R07.2	Traffic white	powd-c	Y	2	M5x50	80 Piece(s)	639699	<input type="checkbox"/>
43	R01.1	Natural silver	anod.	Y	2	M5x55	80 Piece(s)	639707	<input type="checkbox"/>
	R01.3	Titanium	anod.	Y	2	M5x55	80 Piece(s)	639717	<input type="checkbox"/>
	R03.1	Brass matt	anod.	Y	2	M5x55	80 Piece(s)	639711	<input type="checkbox"/>
	R04.1	Grey brown	powd-c	Y	2	M5x55	80 Piece(s)	639703	<input type="checkbox"/>
	R05.5	Bronze	anod.	Y	2	M5x55	80 Piece(s)	639714	<input type="checkbox"/>
	R07.2	Traffic white	powd-c	Y	2	M5x55	80 Piece(s)	639700	<input type="checkbox"/>



### 2.3.4 Window handles – lockable, 40 Nm



#### Product description

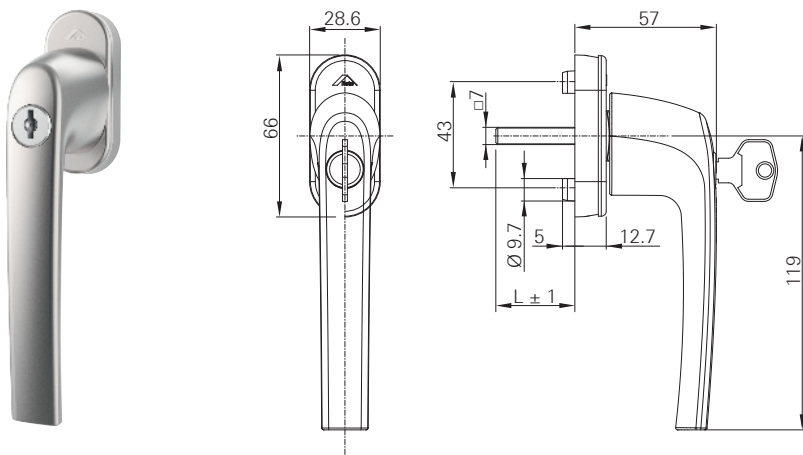
- Lockable handle with tested torque 40 Nm (basic security)
- Closed by a rotary cylinder with reversible key
- Can be unlocked and locked as required
- Can be operated when the handle is unlocked
- Lock-in position 90°
- Ten-year performance warranty
- Classification in accordance with DIN EN 13126-3

#### Scope of delivery

- 1 window handle
- 1 key
- 2 fixing screws

32	R01.1	Natural silver	anod.	Y	2	M5x40	40 Piece(s)	639693	
	R01.3	Titanium	anod.	Y	2	M5x40	40 Piece(s)	639744	
	R04.1	Grey brown	powd-c	Y	2	M5x40	40 Piece(s)	639721	
	R05.5	Bronze	anod.	Y	2	M5x40	40 Piece(s)	639741	
	R07.2	Traffic white	powd-c	Y	2	M5x40	40 Piece(s)	639718	
37	R01.1	Natural silver	anod.	Y	2	M5x45	40 Piece(s)	639694	
	R01.3	Titanium	anod.	Y	2	M5x45	40 Piece(s)	639745	
	R04.1	Grey brown	powd-c	Y	2	M5x45	40 Piece(s)	639722	
	R05.5	Bronze	anod.	Y	2	M5x45	40 Piece(s)	639742	
	R07.2	Traffic white	powd-c	Y	2	M5x45	40 Piece(s)	639719	
43	R01.1	Natural silver	anod.	Y	2	M5x50	40 Piece(s)	639735	
	R01.3	Titanium	anod.	Y	2	M5x50	40 Piece(s)	639746	
	R04.1	Grey brown	powd-c	Y	2	M5x50	40 Piece(s)	639723	
	R05.5	Bronze	anod.	Y	2	M5x50	40 Piece(s)	639743	
	R07.2	Traffic white	powd-c	Y	2	M5x50	40 Piece(s)	639720	

## 2.3.5 Window handles – lockable, 100 Nm



### Product description

- Lockable handle with tested torque 100 Nm
- Closed by a push cylinder with reversible key
- Simple and quick locking by pushing down the cylinder
- Meets the requirements of DIN EN 1627-1630, RC 1 - RC 6
- Lock-in position 90°
- Ten-year performance warranty
- Classification in accordance with DIN EN 13126-3

### Scope of delivery

- 1 window handle
- 1 key
- 2 fixing screws



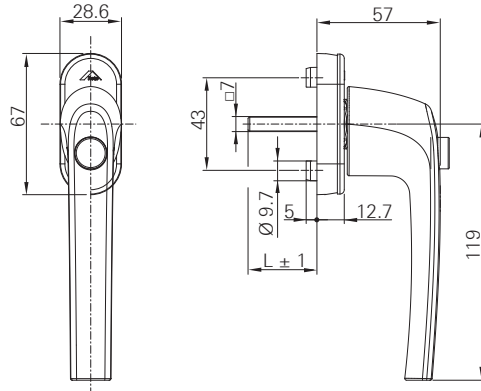
### INFO

Further information on lockable handles → *from page 21.*

32	R01.1	Natural silver	anod.	Y	2	M5x40	40 Piece(s)	639753
	R07.2	Traffic white	powd-c	Y	2	M5x40	40 Piece(s)	639747
37	R01.1	Natural silver	anod.	Y	2	M5x45	40 Piece(s)	639754
	R01.3	Titanium	anod.	Y	2	M5x45	40 Piece(s)	639763
	R04.1	Grey brown	powd-c	Y	2	M5x45	40 Piece(s)	639751
	R05.5	Bronze	anod.	Y	2	M5x45	40 Piece(s)	639760
	R07.2	Traffic white	powd-c	Y	2	M5x45	40 Piece(s)	639748
43	R01.1	Natural silver	anod.	Y	2	M5x50	40 Piece(s)	639755
	R01.3	Titanium	anod.	Y	2	M5x50	40 Piece(s)	639764
	R04.1	Grey brown	powd-c	Y	2	M5x50	40 Piece(s)	639752
	R07.2	Traffic white	powd-c	Y	2	M5x50	40 Piece(s)	639749



### 2.3.6 Window handles – push-to-open



#### Product description

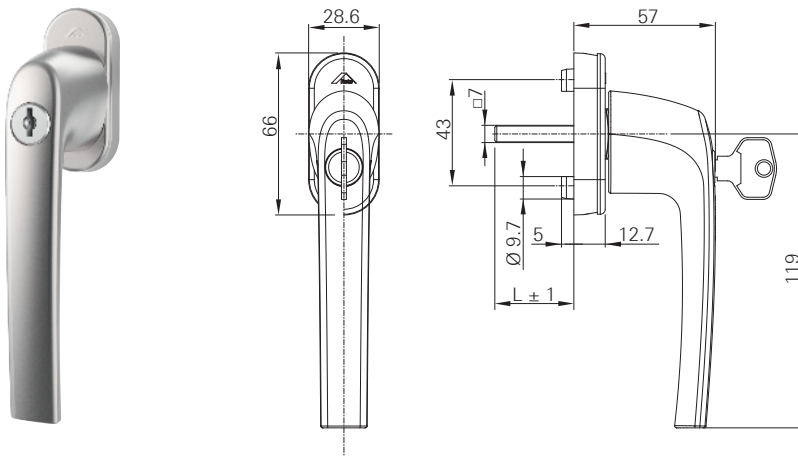
- Window handle with push-to-open mechanism
- The push function makes locking and unlocking possible
- Lock-in position 90°
- Ten-year performance warranty
- Classification in accordance with DIN EN 13126-3

#### Scope of delivery

- 1 window handle
- 2 fixing screws

32	R01.1	Natural silver	anod.	Y	2	M5x40	40 Piece(s)	639799	
	R01.3	Titanium	anod.	Y	2	M5x40	40 Piece(s)	639808	
	R07.2	Traffic white	powd-c	Y	2	M5x40	40 Piece(s)	639783	
37	R01.1	Natural silver	anod.	Y	2	M5x45	40 Piece(s)	639800	
	R01.3	Titanium	anod.	Y	2	M5x45	40 Piece(s)	639809	
	R07.2	Traffic white	powd-c	Y	2	M5x45	40 Piece(s)	639784	
43	R01.1	Natural silver	anod.	Y	2	M5x50	40 Piece(s)	639801	
	R01.3	Titanium	anod.	Y	2	M5x50	40 Piece(s)	639810	
	R07.2	Traffic white	powd-c	Y	2	M5x50	40 Piece(s)	639795	

### 2.3.7 Window handles – TiltFirst, lockable, 40 Nm



#### Product description

- For window systems with the TiltFirst application (tilting before turning)
- Closed by a rotary cylinder with reversible key
- Can be locked in the 0° and 90° position
- Lock-in position 90°
- Ten-year performance warranty
- Classification in accordance with DIN EN 13126-3

#### Scope of delivery

- 1 window handle
- 1 key
- 2 fixing screws



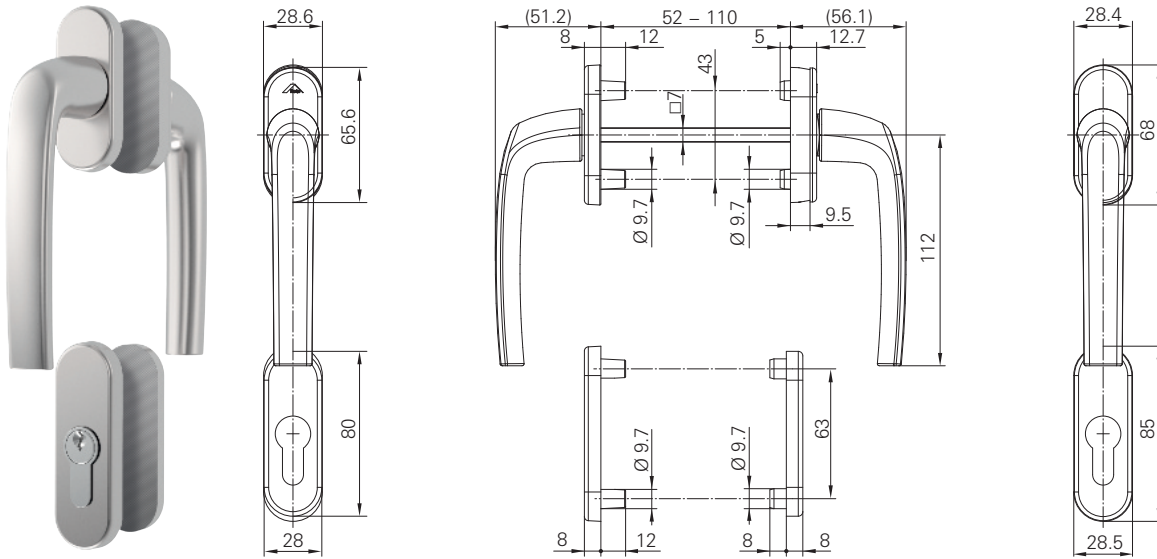
#### INFO

Further information on TiltFirst → *from page 24.*

37	R01.1	Natural silver	anod.	Y	2	M5x45	40 Piece(s)	639772	
	R01.3	Titanium	anod.	Y	2	M5x45	40 Piece(s)	639781	
	R07.2	Traffic white	powd-c	Y	2	M5x45	40 Piece(s)	639766	
43	R01.1	Natural silver	anod.	Y	2	M5x50	40 Piece(s)	639773	
	R07.2	Traffic white	powd-c	Y	2	M5x50	40 Piece(s)	639767	



### 2.3.8 Balcony door handles – outside and inside escutcheon with handle



#### Product description

- Handle set with escutcheon version
- Outside: handle securely pinned
- Outside and inside: standard handle with profile cylinder escutcheon
- Concealed screw fixing
- Lock-in position 90°
- Ten-year performance warranty

#### Scope of delivery

- 2 window handles
- 2 profile cylinder escutcheons
- 4 fixing screws, can be shortened



#### INFO

Profile cylinder is not included in the scope of delivery.

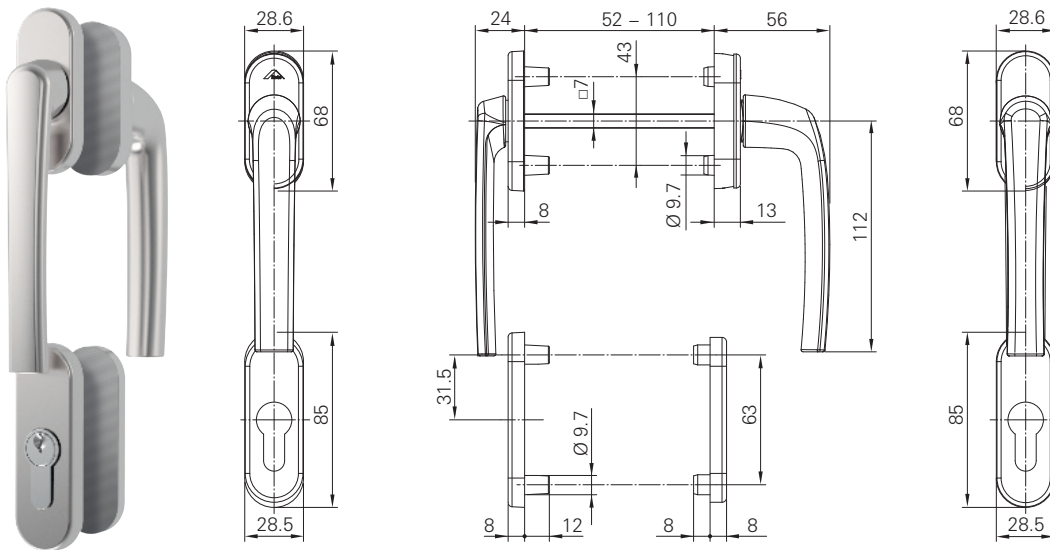


#### INFO

A flush-encased gearbox is required for use in aluminium profiles → *from page 110*.

127	R01.1	Natural silver	anod.	Y	2	M5x110	1 Piece(s)	639815
	R01.3	Titanium	anod.	Y	2	M5x110	1 Piece(s)	639818
	R04.1	Grey brown	powd-c	Y	2	M5x110	1 Piece(s)	639814
	R07.2	Traffic white	powd-c	Y	2	M5x110	1 Piece(s)	639813

### 2.3.9 Balcony door handles – escutcheon with flat handle on the outside and escutcheon with handle on the inside



#### Product description

- Handle set with escutcheon version
- Outside: handle securely pinned
- Outside: flat handle with profile cylinder escutcheon
- Inside: standard handle with profile cylinder escutcheon
- Concealed screw fixing
- Lock-in position 90°
- Ten-year performance warranty

#### Scope of delivery

- 2 window handles
- 2 profile cylinder escutcheons
- 4 fixing screws



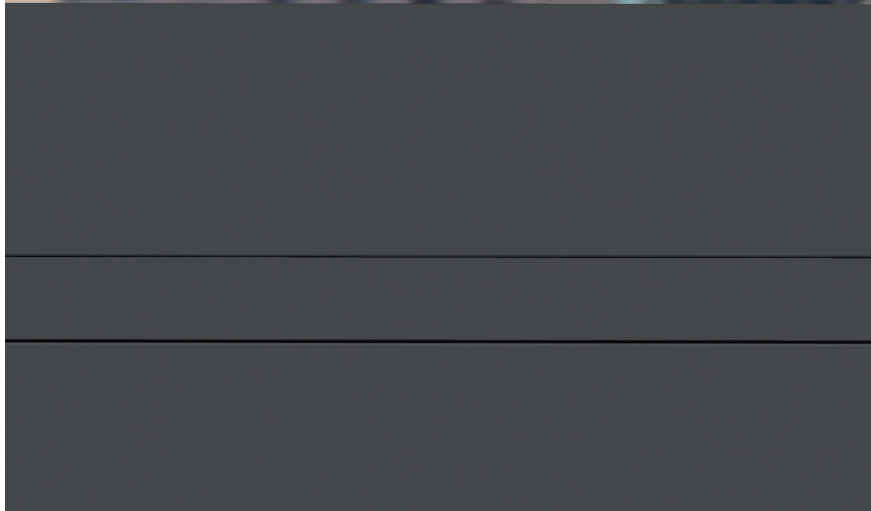
#### INFO

Profile cylinder is not included in the scope of delivery.

127	R01.1	Natural silver	anod.	Y	2	M5x110	1 Piece(s)	640333 <input type="checkbox"/>
	R01.3	Titanium	anod.	Y	2	M5x110	1 Piece(s)	640335 <input type="checkbox"/>
	R04.1	Grey brown	powd-c	Y	2	M5x110	1 Piece(s)	640332 <input type="checkbox"/>
	R07.2	Traffic white	powd-c	Y	2	M5x110	1 Piece(s)	640331 <input type="checkbox"/>



# Roto AL







## Roto Line

Window handles – standard	96
Window handles – lockable, 40 Nm	97
Window handles – lockable, 100 Nm	98
Window handles – TiltFirst, lockable, 40 Nm	99
Window handles – geared-handle	100
Window handles – geared-handle, lockable, 100 Nm	101
Window handles – geared-handle, lockable, 100 Nm for TiltFirst	103
Window handles – handle without escutcheon	104
Window handles – handle without escutcheon; lockable	105
Set – handle without escutcheon, ring and mounting plate	106
Set – handle without escutcheon; lockable, ring and mounting plate	107
Window handles – reverse-action espagnolette	108
Window handles – service handle	109
Accessories	110

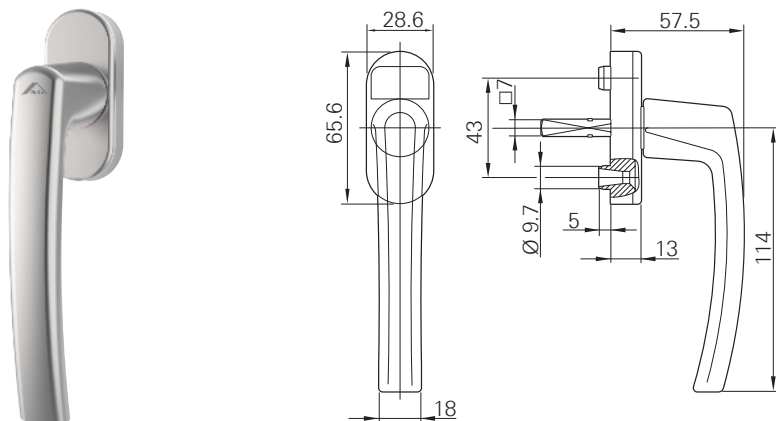
## Roto Freestyle

Window handles – geared-handle	121
Window handles – reverse-action espagnolette	122
Accessories	123

### 3 Roto AL

#### 3.1 Roto Line

##### 3.1.1 Window handles – standard



##### Product description

- Basic handle without additional functions
- Lock-in position 90°
- Ten-year performance warranty
- Classification in accordance with DIN EN 13126-3

##### Scope of delivery

- 1 window handle
- For fixing screws, see table



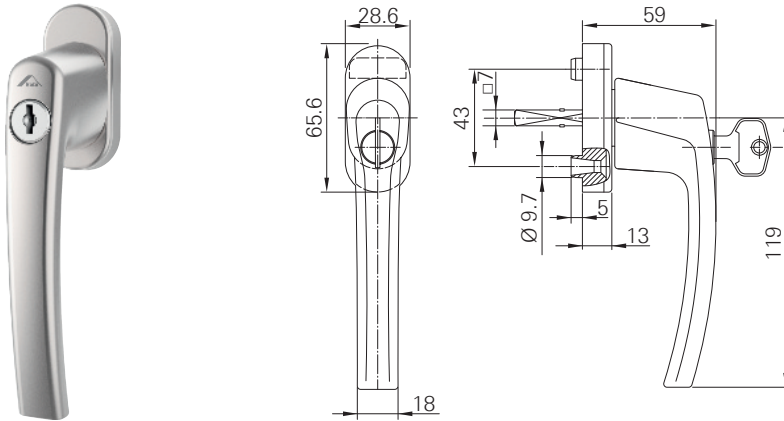
##### INFO

A flush-encased gearbox is required for use in aluminium profiles → *from page 110.*

24	R01.1	Natural silver		-	anod.	Y	-	-	20 Piece(s)	262466 <input type="checkbox"/>
	R01.1	Natural silver		-	anod.	Y	2	M5x35	20 Piece(s)	799867 <input type="checkbox"/>
	R01.1	Natural silver		-	anod.	N	2	M5x35	20 Piece(s)	858981 <input type="checkbox"/>
	R01.3	Titanium		-	anod.	Y	-	-	20 Piece(s)	341748 <input type="checkbox"/>
	R01.3	Titanium		-	anod.	N	2	M5x35	20 Piece(s)	858983 <input type="checkbox"/>
	R04.1	Grey brown		-	powd-c	N	2	M5x35	20 Piece(s)	858982 <input type="checkbox"/>
	R06.2M	Jet black, matt		-	powd-c	Y	2	M5x30	20 Piece(s)	857277 <input type="checkbox"/>
	R06.2M	Jet black, matt		-	powd-c	Y	2	M5x35	20 Piece(s)	794253 <input type="checkbox"/>
	R07.2	Traffic white		-	powd-c	Y	2	M5x35	20 Piece(s)	490545 <input type="checkbox"/>
	R07.2	Traffic white		-	powd-c	N	2	M5x35	20 Piece(s)	858980 <input type="checkbox"/>
	SF	Special colour	Escutcheon: Signal white	powd-c	Y	2	M5x35	20 Piece(s)	800294 <input type="checkbox"/>	
	SF	Special colour	Escutcheon: Steel grey	powd-c	Y	2	M5x35	20 Piece(s)	800385 <input type="checkbox"/>	
SF	Special colour	Escutcheon: Jet black	powd-c	Y	2	M5x35	20 Piece(s)	788812 <input type="checkbox"/>		



### 3.1.2 Window handles – lockable, 40 Nm



#### Product description

- Lockable handle with tested torque 40 Nm (basic security)
- Closed by a rotary cylinder with reversible key
- Can be unlocked and locked as required
- Can be operated when the handle is unlocked
- Lock-in position 90°
- Ten-year performance warranty
- Classification in accordance with DIN EN 13126-3

#### Scope of delivery

- 1 window handle
- 1 key
- For fixing screws, see table

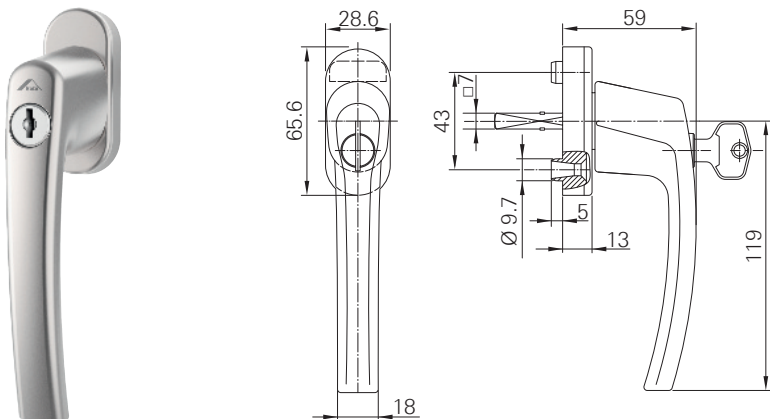


#### INFO

A flush-encased gearbox is required for use in aluminium profiles → *from page 110.*

									<b>Nº</b>
24	R01.1	Natural silver	anod.	Y	–	–	15 Piece(s)	610560 <input type="checkbox"/>	
	R01.5	Silver	anod.	N	2	M5x30	15 Piece(s)	640325 <input type="checkbox"/>	
	R06.2	Jet black	powd-c	Y	2	M5x40	15 Piece(s)	840755 <input type="checkbox"/>	
	R07.2	Traffic white	powd-c	Y	–	–	15 Piece(s)	765011 <input type="checkbox"/>	

### 3.1.3 Window handles – lockable, 100 Nm



#### Product description

- Lockable handle with tested torque 100 Nm
- Closed by a push cylinder with reversible key
- Simple and quick locking by pushing down the cylinder
- Meets the requirements of DIN EN 13126-3, RC 1 - RC 6
- Lock-in position 90°
- Ten-year performance warranty
- Classification in accordance with DIN EN 13126-3

#### Scope of delivery

- 1 window handle
- 1 key
- For fixing screws, see table






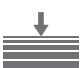




#### INFO

Further information on lockable handles → *from page 21.*



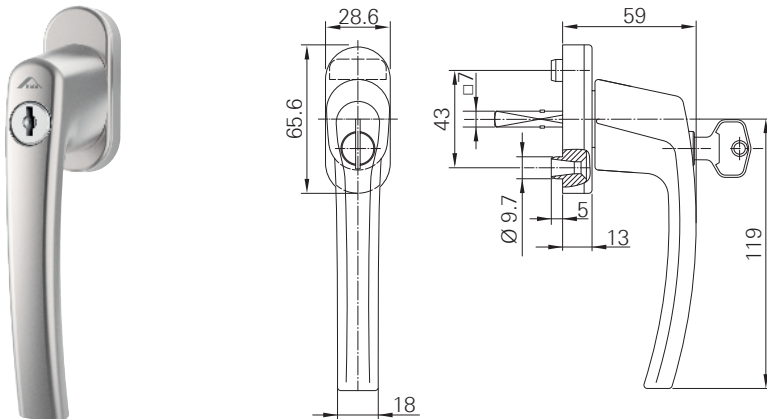
#### INFO

A flush-encased gearbox is required for use in aluminium profiles → *from page 110.*

								<b>Nº</b>
24	R01.1	Natural silver	anod.	Y	2	M5x30	20 Piece(s)	819857 <input type="checkbox"/>
	R01.1	Natural silver	anod.	N	2	M5x35	20 Piece(s)	858985 <input type="checkbox"/>
	R01.3	Titanium	anod.	N	2	M5x35	20 Piece(s)	858986 <input type="checkbox"/>
	R07.2	Traffic white	powd-c	Y	2	M5x30	20 Piece(s)	819856 <input type="checkbox"/>
	R07.2	Traffic white	powd-c	N	2	M5x35	20 Piece(s)	858984 <input type="checkbox"/>



### 3.1.4 Window handles – TiltFirst, lockable, 40 Nm



#### Product description

- For window systems with the TiltFirst application (tilting before turning)
- Closed by a rotary cylinder with reversible key
- Can be locked in the 0° and 90° position
- Lock-in position 90°
- Ten-year performance warranty
- Classification in accordance with DIN EN 13126-3

#### Scope of delivery

- 1 window handle
- 1 key
- For fixing screws, see table



#### INFO

Further information on TiltFirst → *from page 24.*

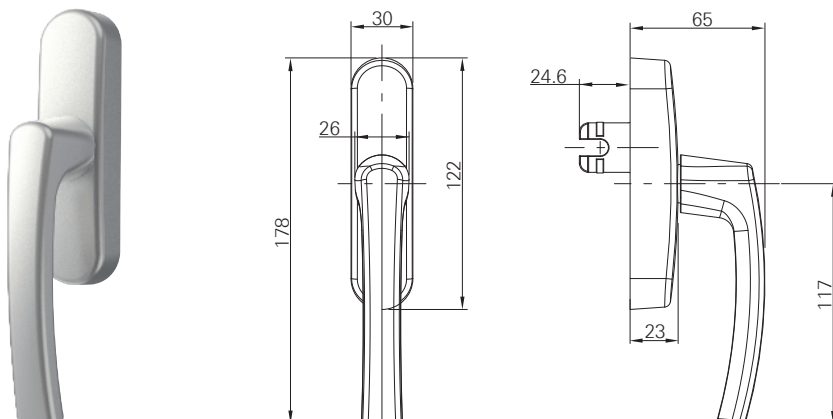


#### INFO

A flush-encased gearbox is required for use in aluminium profiles → *from page 110.*

24	R01.1	Natural silver		–	anod.	Y	2	M5x40	15 Piece(s)	799843 <input type="checkbox"/>
	R01.1	Natural silver		–	anod.	Y	2	M5x30	15 Piece(s)	820885 <input type="checkbox"/>
	R01.1	Natural silver		–	anod.	N	2	M5x35	20 Piece(s)	858991 <input type="checkbox"/>
	R01.3	Titanium		–	anod.	Y	2	M5x40	15 Piece(s)	799844 <input type="checkbox"/>
	R07.2	Traffic white		–	powd-c	Y	2	M5x40	15 Piece(s)	799845 <input type="checkbox"/>
	R07.2	Traffic white		–	powd-c	Y	2	M5x30	15 Piece(s)	820886 <input type="checkbox"/>
	R07.2	Traffic white		–	powd-c	N	2	M5x35	20 Piece(s)	858990 <input type="checkbox"/>
	SF	Special colour	Escutcheon: Signal white	–	powd-c	Y	2	M5x35	15 Piece(s)	800421 <input type="checkbox"/>
	SF	Special colour	Escutcheon: Steel grey	–	anod.	Y	2	M5x35	15 Piece(s)	800422 <input type="checkbox"/>
SF	Special colour	Escutcheon: Jet black	–	powd-c	Y	2	M5x35	15 Piece(s)	788850 <input type="checkbox"/>	

### 3.1.5 Window handles – geared-handle



#### Product description

- Basic handle without additional functions
- Lock-in position 90°

#### Scope of delivery

- 1 window handle
- Without fixing screws

26	R01.1	Natural silver	anod.	Y	-	-	10 Piece(s)	238671 <input checked="" type="checkbox"/>
			anod.	N	-	-	10 Piece(s)	384509 <input checked="" type="checkbox"/>
			wet p	Y	-	-	10 Piece(s)	384325 <input checked="" type="checkbox"/>
	R01.5	Silver	powd-c	Y	-	-	10 Piece(s)	377474 <input checked="" type="checkbox"/>
			powd-c	N	-	-	10 Piece(s)	384503 <input checked="" type="checkbox"/>
	R05.4	Dark bronze	powd-c	Y	-	-	10 Piece(s)	377478 <input checked="" type="checkbox"/>
			powd-c	N	-	-	10 Piece(s)	384504 <input checked="" type="checkbox"/>
	R06.2M	Jet black, matt	powd-c	Y	-	-	10 Piece(s)	377475 <input checked="" type="checkbox"/>
			powd-c	N	-	-	10 Piece(s)	384505 <input checked="" type="checkbox"/>
	R06.2	Jet black	powd-c	N	-	-	10 Piece(s)	385190 <input checked="" type="checkbox"/>
	R07.1	Pure white	powd-c	Y	-	-	10 Piece(s)	377476 <input checked="" type="checkbox"/>
			powd-c	N	-	-	10 Piece(s)	384506 <input checked="" type="checkbox"/>
	R07.2	Traffic white	powd-c	Y	-	-	10 Piece(s)	377477 <input checked="" type="checkbox"/>
			powd-c	N	-	-	10 Piece(s)	384507 <input checked="" type="checkbox"/>
R03.3	Gold	met p	N	-	-	10 Piece(s)	457093 <input checked="" type="checkbox"/>	
R03.4	Stainless-steel design	met p	Y	-	-	10 Piece(s)	335880 <input checked="" type="checkbox"/>	
SF	Special colour	wet p powd-c	Y	-	-	10 Piece(s)	377479 <input checked="" type="checkbox"/>	
		wet p powd-c	N	-	-	10 Piece(s)	384508 <input checked="" type="checkbox"/>	
R00.0	Uncoated	-	N	-	-	10 Piece(s)	632981 <input checked="" type="checkbox"/>	
32	R01.1	Natural silver	anod.	Y	-	-	10 Piece(s)	384516 <input type="checkbox"/>
	R06.2M	Jet black, matt	powd-c	Y	-	-	10 Piece(s)	384084 <input type="checkbox"/>
	R07.1	Pure white	powd-c	Y	-	-	10 Piece(s)	384095 <input type="checkbox"/>
	R07.2	Traffic white	anod.	Y	-	-	10 Piece(s)	384096 <input type="checkbox"/>
	R00.0	Uncoated	-	N	-	-	10 Piece(s)	814535 <input type="checkbox"/>

Accessories for geared-handle → *from page 114.*

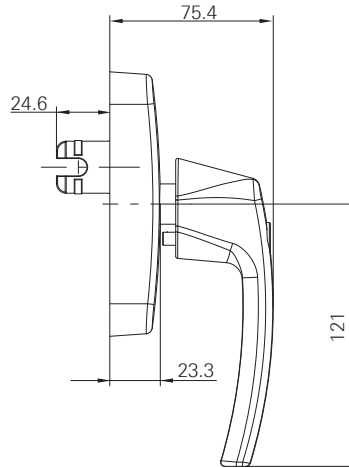
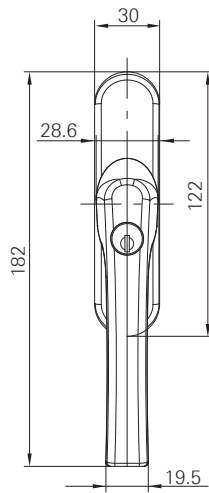
Fork for geared-handle → *from page 114*, other fork lengths are available upon request.



**INFO**

The uncoated handle is not supplied assembled.

**3.1.6 Window handles – geared-handle, lockable, 100 Nm**



**Product description**

- Lockable handle with tested torque 100 Nm
- Closed by a cylinder with reversible key
- Lock-in position 90°




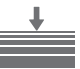





**Scope of delivery**

- 1 window handle
- 2 keys
- Without fixing screws

26	R01.1	Natural silver	wet p	Y	-	-	10 Piece(s)	384524 <input type="checkbox"/>
			wet p	N	-	-	10 Piece(s)	384525 <input type="checkbox"/>
	R01.5	Silver	powd-c	Y	-	-	10 Piece(s)	378843 <input type="checkbox"/>
	R03.4	Stainless-steel design	Nickel-plated	Y	-	-	10 Piece(s)	335881 <input type="checkbox"/>
	R05.4	Dark bronze	powd-c	Y	-	-	10 Piece(s)	378917 <input type="checkbox"/>
	R06.2M	Jet black, matt	powd-c	Y	-	-	10 Piece(s)	378844 <input type="checkbox"/>
	R06.2	Jet black	powd-c	Y	-	-	10 Piece(s)	385193 <input type="checkbox"/>
	R07.1	Pure white	powd-c	Y	-	-	10 Piece(s)	378915 <input type="checkbox"/>
			powd-c	N	-	-	10 Piece(s)	384521 <input type="checkbox"/>
	R07.2	Traffic white	powd-c	Y	-	-	10 Piece(s)	378916 <input type="checkbox"/>
	SF	Special colour	wet p powd-c	Y	-	-	10 Piece(s)	378918 <input type="checkbox"/>
			wet p powd-c	N	-	-	10 Piece(s)	384523 <input type="checkbox"/>
R00.0	Uncoated	-	-	N	-	-	10 Piece(s)	238700 <input type="checkbox"/>

**Roto AL**  
**Roto Line**

Window handles – geared-handle, lockable, 100 Nm

								
32	R01.5	Silver	anod.	Y	-	-	10 Piece(s)	384099 <input type="checkbox"/>

Accessories for geared-handle → *from page 114*.

Fork for geared-handle → *from page 114*, other fork lengths are available upon request.

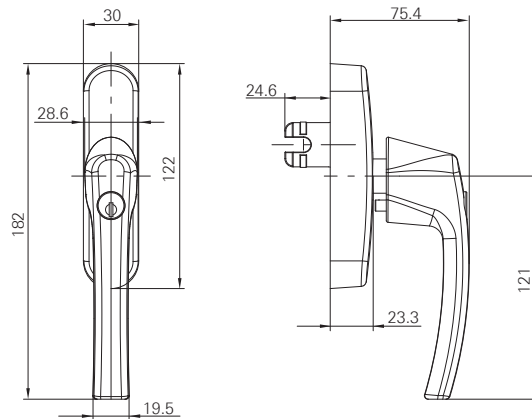


**INFO**

The uncoated handle is not supplied assembled.



### 3.1.7 Window handles – geared-handle, lockable, 100 Nm for TiltFirst



#### Product description

- Lockable handle with tested torque 100 Nm
- Closed by a push cylinder with reversible key
- Simple and quick locking by pushing down the cylinder
- For window systems with the TiltFirst application (tilting before turning)
- Lock-in position 90°

#### Scope of delivery

- 1 window handle
- 2 keys
- Without fixing screws



#### INFO

Further information on TiltFirst → *from page 24.*

26	R01.1	Natural silver	wet p	Y	-	-	10 Piece(s)	384534
	R01.5	Silver	powd-c	Y	-	-	10 Piece(s)	378919
	R05.4	Dark bronze	powd-c	Y	-	-	10 Piece(s)	378923
	R06.2M	Jet black, matt	powd-c	Y	-	-	10 Piece(s)	378920
	R06.2	Jet black	powd-c	Y	-	-	10 Piece(s)	385215
	R07.2	Traffic white	powd-c	Y	-	-	10 Piece(s)	378922
	R07.1	Pure white	powd-c	Y	-	-	10 Piece(s)	378921
	SF	Special colour	wet p powd-c	Y	-	-	10 Piece(s)	378924
R00.0	Uncoated	-	-	N	-	-	10 Piece(s)	238716

Accessories for geared-handle → *from page 114.*

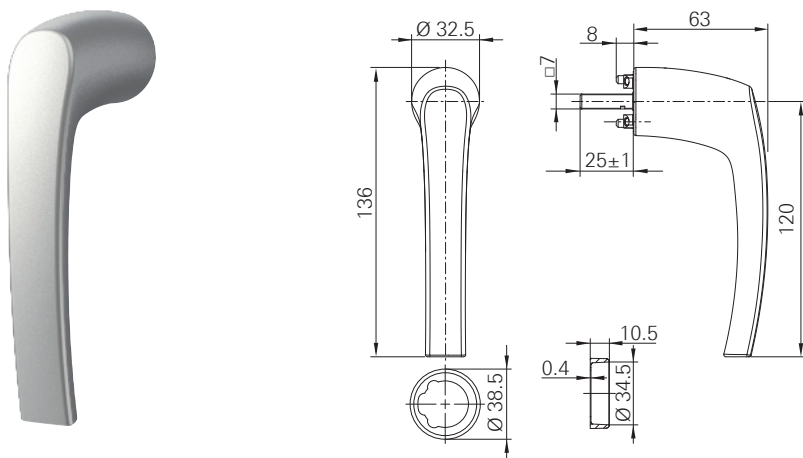
Fork for geared-handle → *from page 114*, other fork lengths are available upon request.



#### INFO

The uncoated handle is not supplied assembled.

### 3.1.8 Window handles – handle without escutcheon



#### Product description

- Basic handle without additional functions
- Can be optionally combined with colour-coordinated ring escutcheon
- Concealed screw fixing
- Lock-in position 90°

#### Scope of delivery

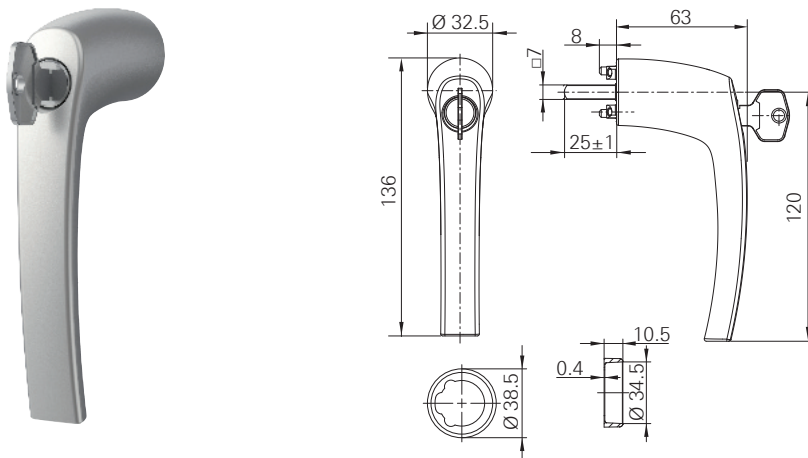
- 1 window handle
- 2 fixing screws
- 1 transport safety device

25	R01.1	Natural silver	wet p	N	2	M4x12.5	10 Piece(s)	623294
	R01.5	Silver	powd-c	N	2	M4x12.5	10 Piece(s)	377908
	R03.4	Stainless-steel design	met p	N	2	M4x12.5	10 Piece(s)	619288
	R05.4	Dark bronze	anod.	N	2	M4x12.5	10 Piece(s)	377912
	R06.2M	Jet black, matt	powd-c	N	2	M4x12.5	10 Piece(s)	377909
	R07.1	Pure white	powd-c	N	2	M4x12.5	10 Piece(s)	377910
	R07.2	Traffic white	powd-c	N	2	M4x12.5	10 Piece(s)	377911
	SF	Special colour	wet p powd-c	N	2	M4x12.5	10 Piece(s)	377913

Accessories for handle without escutcheon → *from page 116.*



### 3.1.9 Window handles – handle without escutcheon; lockable



#### Product description

- Lockable handle with tested torque 40 Nm
- Closed by a rotary cylinder with reversible key
- Can be unlocked and locked as required
- Can be operated when the handle is unlocked
- Lock-in position 90°

#### Scope of delivery

- 1 window handle
- 1 key
- 2 fixing screws
- 1 transport safety device

25	R01.1	Natural silver	wet p	N	2	M4x12.5	10 Piece(s)	623475 <input type="checkbox"/>
	R01.5	Silver	powd-c	N	2	M4x12.5	10 Piece(s)	377914 <input type="checkbox"/>
	R03.4	Stainless-steel design	anod.	N	2	M4x12.5	10 Piece(s)	619289 <input type="checkbox"/>
	R05.4	Dark bronze	anod.	N	2	M4x12.5	10 Piece(s)	377918 <input type="checkbox"/>
	R06.2	Jet black	powd-c	N	2	M4x12.5	10 Piece(s)	377915 <input type="checkbox"/>
	R07.2	Traffic white	powd-c	N	2	M4x12.5	10 Piece(s)	377917 <input type="checkbox"/>
	SF	Special colour	wet p powd-c	N	2	M4x12.5	10 Piece(s)	377919 <input type="checkbox"/>

Accessories for handle without escutcheon → *from page 116.*

### 3.1.10 Set – handle without escutcheon, ring and mounting plate



#### Product description

- Basic handle without additional functions
- Concealed screw fixing
- Lock-in position 90°
- Aluminium ring escutcheon
- Mounting plate for attaching handles without escutcheon to aluminium profiles

#### Scope of delivery

- 1 window handle
  - 2 fixing screws
  - 1 transport safety device
  - 1 ring
  - 1 mounting plate
- Without fixing screws

						N <sup>o</sup>
R01.1	25	Natural silver	anod.	N	10 Piece(s)	857301 <input type="checkbox"/>
R01.5		Silver	anod.	N	10 Piece(s)	857302 <input type="checkbox"/>
R05.4		Dark bronze	anod.	N	10 Piece(s)	857303 <input type="checkbox"/>
R06.2M		Jet black, matt	powd-c	N	10 Piece(s)	857304 <input type="checkbox"/>
R07.2		Traffic white	powd-c	N	10 Piece(s)	857315 <input type="checkbox"/>



### 3.1.11 Set – handle without escutcheon; lockable, ring and mounting plate



#### Product description

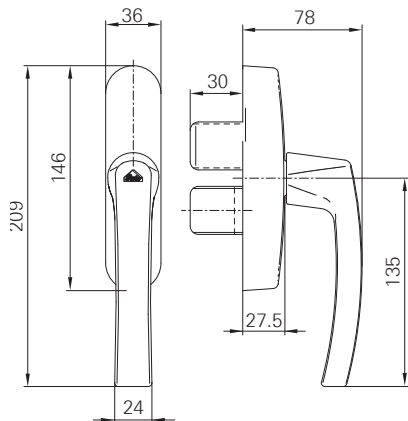
- Lockable handle with tested torque 40 Nm
- Closed by a rotary cylinder with reversible key
- Can be unlocked and locked as required
- Can be operated when the handle is unlocked
- Lock-in position 90°
- Aluminium ring escutcheon
- Mounting plate for attaching handles without escutcheon to aluminium profiles

#### Scope of delivery

- 1 window handle
  - 2 fixing screws
  - 1 key
  - 1 transport safety device
  - 1 ring
  - 1 mounting plate
- Without fixing screws

						Nº
25	R01.1	Natural silver	N	anod.	10 Piece(s)	857316 <input type="checkbox"/>
	R01.5	Silver	N	anod.	10 Piece(s)	857317 <input type="checkbox"/>
	R05.4	Dark bronze	N	anod.	10 Piece(s)	857320 <input type="checkbox"/>
	R06.2M	Jet black, matt	N	powd-c	10 Piece(s)	857318 <input type="checkbox"/>
	R07.2	Traffic white	N	powd-c	10 Piece(s)	857319 <input type="checkbox"/>

### 3.1.12 Window handles – reverse-action espagnolette



#### Product description

- Reverse-action espagnolette without additional functions
- Lock-in position 90°

#### Scope of delivery

- 1 window handle
- Without fixing screws

30	R01.1	Natural silver	anod.	Y	-	-	10 Piece(s)	238736 <input type="checkbox"/>
	R01.5	Silver	powd-c	Y	-	-	10 Piece(s)	378925 <input checked="" type="checkbox"/>
	R03.4	Stainless-steel design	Nickel-plated	Y	-	-	10 Piece(s)	457115 <input checked="" type="checkbox"/>
	R05.4	Dark bronze	powd-c	Y	-	-	10 Piece(s)	378929 <input checked="" type="checkbox"/>
	R06.2	Jet black	powd-c	Y	-	-	10 Piece(s)	385217 <input type="checkbox"/>
	R06.2M	Jet black, matt	powd-c	Y	-	-	10 Piece(s)	378926 <input checked="" type="checkbox"/>
	R07.2	Traffic white	powd-c	Y	-	-	10 Piece(s)	378928 <input checked="" type="checkbox"/>
	SF	Special colour	wet p powd-c	Y	-	-	10 Piece(s)	378930 <input checked="" type="checkbox"/>
R00.0	Uncoated	-	-	N	-	-	10 Piece(s)	238742 <input checked="" type="checkbox"/>

Compatible connector set for reverse-action espagnolette → *from page 120*

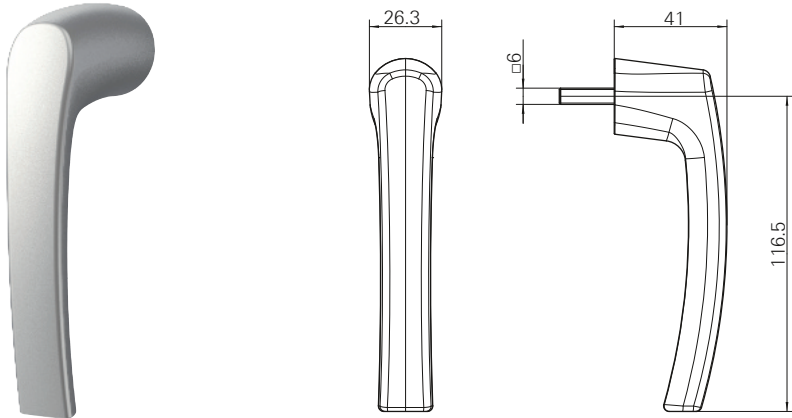


#### INFO

The uncoated handle is not supplied assembled.



### 3.1.13 Window handles – service handle



#### Product description

- Service handle without additional functions

#### Scope of delivery

- 1 window handle
- Without fixing screws



#### INFO

A service gear-handle is required for use with Roto Line. → *from page 119*

20	R01.1	Natural silver	wet p	N	-	-	10 Piece(s)	570467	<input type="checkbox"/>
	SF	Special colour	wet p powd-c	N	-	-	10 Piece(s)	570468	<input type="checkbox"/>

### 3.1.14 Accessories

#### 3.1.14.1 Flush-encased gearbox

##### 3.1.14.1.1 Flush-encased gearbox without mishandling device



#### Product description

- Flush-encased gearbox without additional functions
- Lock-in position 90°

#### Scope of delivery

- 1 flush-encased gearbox
- Without window handle



#### INFO

All Roto handles with square spindle can be used.

				<b>Nº</b>
Flush-encased gearbox without mishandling device	24 mm	Coupling point, 10 mm	10 Piece(s)	378338



### 3.1.14.1.2 Flush-encased gearbox with mishandling device



#### Product description

- Flush-encased gearbox with mishandling device as additional function
- Lock-in position 90°

#### Scope of delivery

- 1 flush-encased gearbox
- Without window handle



#### INFO

All Roto handles with square spindle can be used.

				<b>Nº</b>
Flush-encased gearbox with mishandling device	24 mm	Coupling point, 10 mm	50 Piece(s)	378337

### 3.1.14.1.3 SEC flush-encased gearbox without mishandling device



#### Product description

- Flush-encased gearbox without additional functions
- Lock-in position 90°
- Suitable for use as RC 2 and RC 3








#### Scope of delivery

- 1 flush-encased gearbox
- Without window handle



#### INFO

All Roto handles with square spindle can be used. Additional hardware components are required for a window to be RC-compatible.

					
SEC flush-encased gearbox AL without mishandling device	24 mm	Coupling point, 10 mm	RC 2 RC 3	10 Piece(s)	457210 



### 3.1.14.1.4 SEC flush-encased gearbox with mishandling device



#### Product description

- Flush-encased gearbox with mishandling device as additional function
- Lock-in position 90°
- Suitable for use as RC 2 and RC 3

#### Scope of delivery

- 1 flush-encased gearbox
- Without window handle



#### INFO

All Roto handles with square spindle can be used. Additional hardware components are required for a window to be RC-compatible.

AL SEC flush-encased gearbox with mishandling device		24 mm	Screwed together	RC 2 RC 3	10 Piece(s)	607736 <input type="checkbox"/>

### 3.1.14.2 Geared-handle

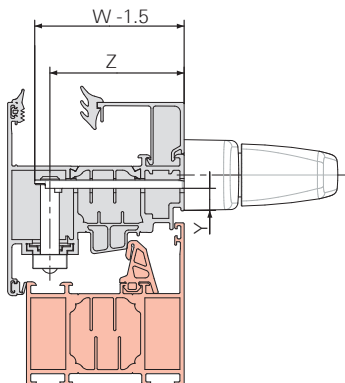
#### 3.1.14.2.1 Fork



#### INFO

Can be used with all Roto Line geared-handles.

#### Geared-handle



	W (length 1) / Y (length 2)
	Z (minimum)
	Z (maximum)

					Nº
Fork 1	19 / 10	8	12	100 Piece(s)	490240
Fork 2	32 / 10	21	25	100 Piece(s)	482309
Fork 3	37 / 10	26	30	100 Piece(s)	482310
Fork 4	37 / 4	26	30	100 Piece(s)	482311
Fork 5	46 / 10	35	39	100 Piece(s)	482312
Fork 6	46 / 4	35	39	100 Piece(s)	482313
Fork 7	50 / 10	39	43	100 Piece(s)	482314
Fork 8	53 / 10	42	46	100 Piece(s)	482315
Fork 9	53 / 4	42	46	100 Piece(s)	482316
Fork 10	55 / 10	44	48	100 Piece(s)	482317
Fork 11	60 / 10	49	53	100 Piece(s)	482318
Fork 12	67 / 10	56	60	100 Piece(s)	490611



### 3.1.14.2.2 T connector set



#### Product description

- Connector set for attaching geared-handles
- Predetermined breaking point to enable the installation of two main corner drives on the central locking system

#### Scope of delivery

- 1 T connector
- 2 fixing screws



#### INFO

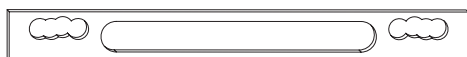
All Roto Line geared-handles can be used.

→ 3.1.5 "Window handles – geared-handle" from page 100

→ 3.1.6 "Window handles – geared-handle, lockable, 100 Nm" from page 101

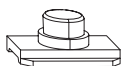
AL T connector set	Coupling point, 10 mm	2	M5x12	10 Piece(s)	728981

### 3.1.14.2.3 Espagnolette support



Espagnolette support	For Roto Line AL geared-handle	13.5	100 Piece(s)	331937

### 3.1.14.2.4 Connector bolt, insertable



Insertable connector bolt	For Roto Line AL geared-handle	100 Piece(s)	254601

### 3.1.14.3 Handle without escutcheon

#### 3.1.14.3.1 Ring for handle without escutcheon



#### Product description

- Aluminium ring escutcheon
- In conjunction with window handles without escutcheon
  - 3.1.8 “Window handles – handle without escutcheon” from page 104
  - 3.1.9 “Window handles – handle without escutcheon; lockable” from page 105
- Colour-coordinated to match the Roto window handles

#### Scope of delivery

- 1 ring

				N <sup>o</sup>
R01.1	Natural silver	wet p	10 Piece(s)	623476 
R01.5	Silver	powd-c	10 Piece(s)	377979 
R03.4	Stainless-steel design	anod.	10 Piece(s)	619290 
R05.4	Dark bronze	anod.	10 Piece(s)	377983 
R06.2M	Jet black, matt	powd-c	10 Piece(s)	377980 
R07.1	Pure white	powd-c	10 Piece(s)	377981 
R07.2	Traffic white	powd-c	10 Piece(s)	377982 
SF	Special colour	wet p powd-c	10 Piece(s)	377984 



### 3.1.14.3.2 Mounting plate for escutcheonless handle



#### Product description

- Mounting plate for attaching escutcheonless handles at aluminium profiles

#### Scope of delivery

- 1 mounting plate
- Without fixing screws

Mounting plate for handle without escutcheon	-	-	-	10 Piece(s)	378134

### 3.1.14.3.3 Detachable key



#### Product description

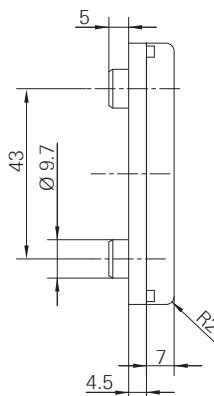
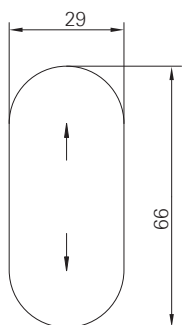
- Removal tool for the transport safety device of the handle without escutcheon
- In conjunction with Roto Line handle without escutcheon
  - 3.1.8 "Window handles – handle without escutcheon" from page 104
  - 3.1.9 "Window handles – handle without escutcheon; lockable" from page 105

#### Scope of delivery

- 1 key

Release key for handle without escutcheon	-	-	-	10 Piece(s)	377995

### 3.1.14.4 Escutcheon for service handle



#### Product description

- Handle hole concealed escutcheon with vertically movable cover
- In conjunction with Roto Line service handle → *from page 76*.

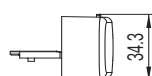
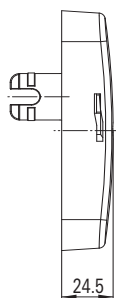
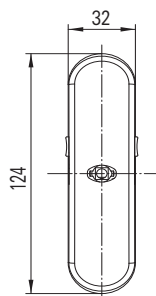
#### Scope of delivery

- 1 escutcheon
- Without fixing screws

				Nº
R01.1	Natural silver	anod.	20 Piece(s)	228100 <input type="checkbox"/>
R01.2	Nickel silver	anod.	20 Piece(s)	228101 <input type="checkbox"/>
R01.3	Titanium	anod.	20 Piece(s)	228010 <input type="checkbox"/>
R03.1	Brass matt	anod.	20 Piece(s)	228102 <input type="checkbox"/>
R04.1	Grey brown	powd-c	20 Piece(s)	228012 <input type="checkbox"/>
R05.3	Medium bronze	anod.	20 Piece(s)	228103 <input type="checkbox"/>
R05.5	Bronze	anod.	20 Piece(s)	228104 <input type="checkbox"/>
R07.2	Traffic white	powd-c	20 Piece(s)	228014 <input type="checkbox"/>



### 3.1.14.5 Service gear-handle



#### Product description

- Service gear-handle without additional functions
- 90° lock-in position

#### Scope of delivery

- 1 service gear-handle
- Without fixing screws



#### INFO

In conjunction with Roto Line service handle → *from page 109*

26	R01.1	Natural silver	wet p	N	-	-	10 Piece(s)	570458 <input type="checkbox"/>
	R01.5	Silver	powd-c	N	-	-	10 Piece(s)	570459 <input type="checkbox"/>
	R05.4	Dark bronze	powd-c	N	-	-	10 Piece(s)	570463 <input type="checkbox"/>
	R06.2	Jet black	powd-c	N	-	-	10 Piece(s)	570462 <input type="checkbox"/>
	R07.2	Traffic white	powd-c	N	-	-	10 Piece(s)	570460 <input type="checkbox"/>
	SF	Special colour	wet p powd-c	N	-	-	10 Piece(s)	570464 <input type="checkbox"/>
	R00.0	Uncoated	-	N	-	-	10 Piece(s)	570461 <input type="checkbox"/>

### 3.1.14.6 Connector set for reverse-action espagnolette



#### Product description

- Connector set for attaching reverse-action espagnolettes
- Connecting rod is mounted by 6 mm coupling point

#### Scope of delivery

- 1 connector for Roto Line reverse-action espagnolette, top
- 1 connector for Roto Line reverse-action espagnolette, bottom
- 2 fixing screws



#### INFO

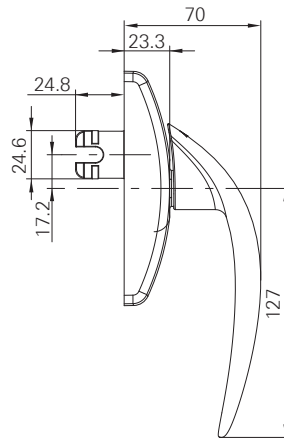
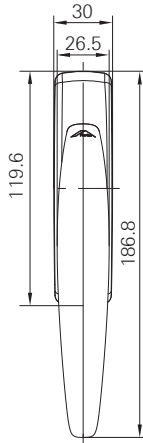
All Roto Line reverse-action espagnolettes can be used → *from page 108*.

Connector set for reverse-action espagnolette	Coupling point, 6 mm	2	M5x12	10 Piece(s)	212325 <input type="checkbox"/>



## 3.2 Roto Freestyle

### 3.2.1 Window handles – geared-handle



#### Product description

- Basic handle without additional functions for AL 300
- Lock-in position 90°

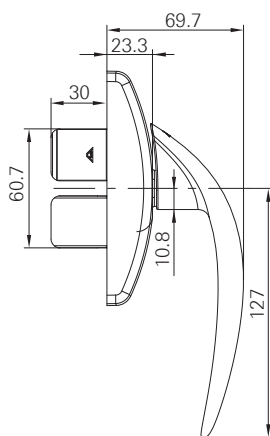
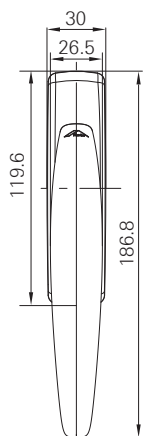
#### Scope of delivery

- 1 window handle
- Without fixing screws

26	R01.1	Natural silver	powd-c	Y	-	-	10 Piece(s)	572766 <input type="checkbox"/>
	R01.5	Silver	powd-c	Y	-	-	10 Piece(s)	486161 <input type="checkbox"/>
	R03.3	Gold	Nickel-plated	N	-	-	10 Piece(s)	486539 <input type="checkbox"/>
	R05.4	Dark bronze	powd-c	Y	-	-	10 Piece(s)	490169 <input type="checkbox"/>
	R06.2	Jet black	powd-c	Y	-	-	10 Piece(s)	486162 <input type="checkbox"/>
	R07.1	Pure white	powd-c	Y	-	-	10 Piece(s)	566662 <input type="checkbox"/>
	R07.2	Traffic white	powd-c	Y	-	-	10 Piece(s)	486163 <input type="checkbox"/>
	SF	Special colour	wet p powd-c	N	-	-	10 Piece(s)	486165 <input type="checkbox"/>
	R00.0	Uncoated	-	Y	-	-	10 Piece(s)	486164 <input type="checkbox"/>

Accessories for geared-handle → *from page 114.*

### 3.2.2 Window handles – reverse-action espagnolette



#### Product description

- Reverse-action espagnolette without additional functions
- Lock-in position 90°

#### Scope of delivery

- 1 window handle
- Without fixing screws

								<b>Nº</b>
30	R01.5	Silver	powd-c	N	-	-	10 Piece(s)	486277 <input type="checkbox"/>
	R06.2	Jet black	powd-c	N	-	-	10 Piece(s)	490162 <input type="checkbox"/>
	R07.2	Traffic white	powd-c	N	-	-	10 Piece(s)	490163 <input type="checkbox"/>
	R00.0	Uncoated	-	N	-	-	10 Piece(s)	490164 <input type="checkbox"/>

Compatible connector set for reverse-action espagnolette → *from page 120*



## 3.2.3 Accessories

### 3.2.3.1 Geared-handle

#### 3.2.3.1.1 Fork

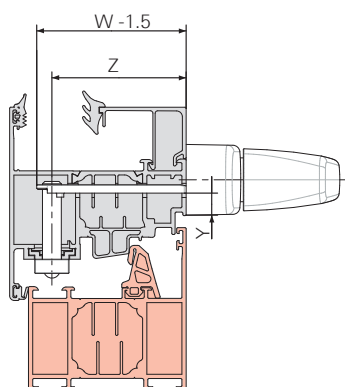


#### INFO

Can be used with all Roto Line geared-handles.



#### Geared-handle



	W (length 1) / Y (length 2)
	Z (minimum)
	Z (maximum)

					Nº
Fork 1	19 / 10	8	12	100 Piece(s)	490240
Fork 2	32 / 10	21	25	100 Piece(s)	482309
Fork 3	37 / 10	26	30	100 Piece(s)	482310
Fork 4	37 / 4	26	30	100 Piece(s)	482311
Fork 5	46 / 10	35	39	100 Piece(s)	482312
Fork 6	46 / 4	35	39	100 Piece(s)	482313
Fork 7	50 / 10	39	43	100 Piece(s)	482314
Fork 8	53 / 10	42	46	100 Piece(s)	482315
Fork 9	53 / 4	42	46	100 Piece(s)	482316
Fork 10	55 / 10	44	48	100 Piece(s)	482317
Fork 11	60 / 10	49	53	100 Piece(s)	482318
Fork 12	67 / 10	56	60	100 Piece(s)	490611

### 3.2.3.1.2 T connector set



#### Product description

- Connector set for attaching geared-handles
- Predetermined breaking point to enable the installation of two main corner drives on the central locking system

#### Scope of delivery

- 1 T connector
- 2 fixing screws



#### INFO

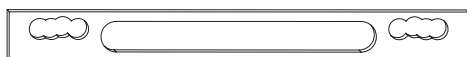
All Roto Line geared-handles can be used.

→ 3.1.5 "Window handles – geared-handle" from page 100

→ 3.1.6 "Window handles – geared-handle, lockable, 100 Nm" from page 101

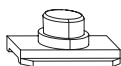
AL T connector set	Coupling point, 10 mm	2	M5x12	10 Piece(s)	728981

### 3.2.3.1.3 Espagnolette support



Espagnolette support	For Roto Line AL geared-handle	13.5	100 Piece(s)	331937

### 3.2.3.1.4 Connector bolt, insertable



Insertable connector bolt	For Roto Line AL geared-handle	100 Piece(s)	254601



### 3.2.3.2 Connector set for reverse-action espagnolette



#### Product description

- Connector set for attaching reverse-action espagnolettes
- Connecting rod is mounted by 6 mm coupling point

#### Scope of delivery

- 1 connector for Roto Line reverse-action espagnolette, top
- 1 connector for Roto Line reverse-action espagnolette, bottom
- 2 fixing screws



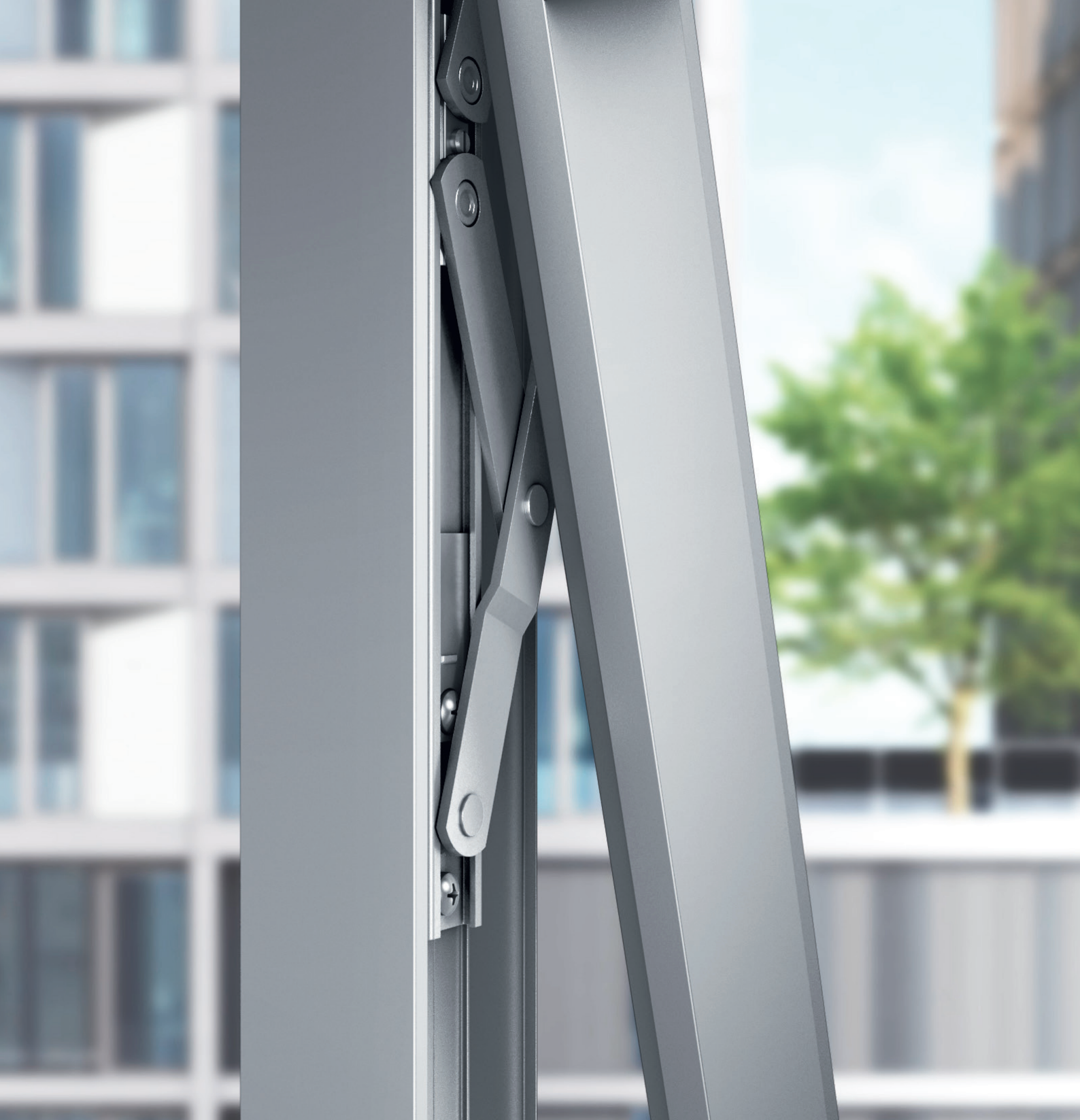
#### INFO

All Roto Line reverse-action espagnolettes can be used → *from page 108*.

						<b>Nº</b>
Connector set for reverse-action espagnolette		Coupling point, 6 mm	2	M5x12	10 Piece(s)	212325 <input type="checkbox"/>

## Roto Outward Opening







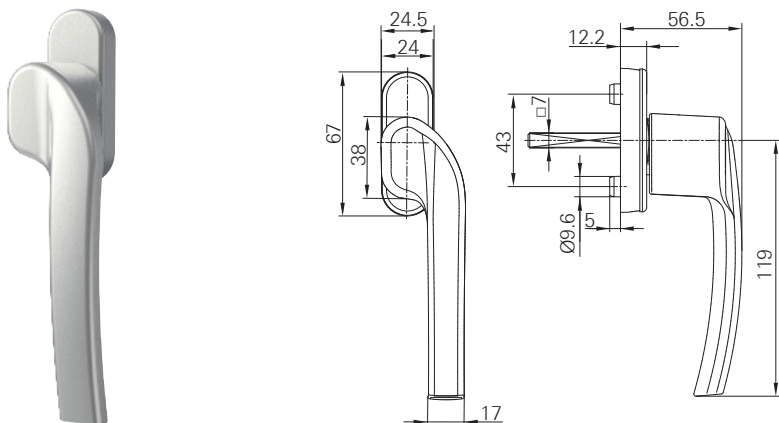
**Roto Line**

Window handles – cranked	130
Window handles – cranked, lockable, 40 Nm	131
Window handles – MK 2 with push-to-open mechanism	132
Window handles – MK 2, cranked, lockable	133
Window handles – MK 3, lockable	134
Window handles – geared-handle, cranked handle	135
Window handles – geared-handle	136
Window handles – geared-handle, lockable, 100 Nm	137
Window handles – changeover espagnolette, screw-on	138
Accessories	139

## 4 Roto Outward Opening

### 4.1 Roto Line

#### 4.1.1 Window handles – cranked



DIN right-hand version is shown; DIN left-hand version is a mirror image



#### Product description

- Cranked handle without additional functions
- Lock-in position 90°
- Suitable for all frame components

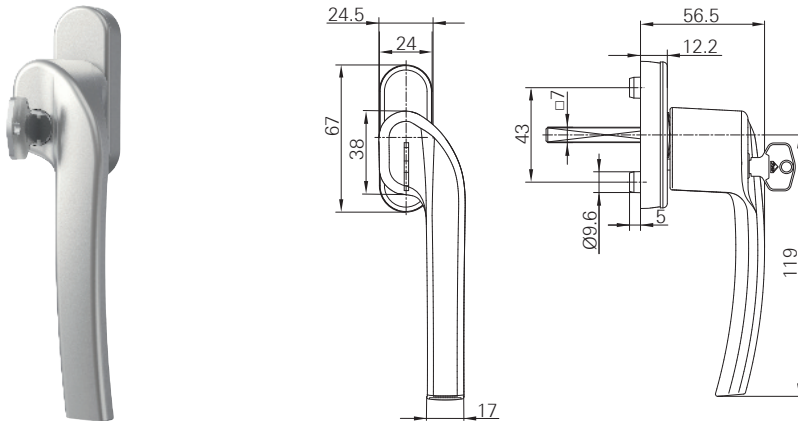
#### Scope of delivery

- 1 window handle
- Without fixing screws

									N <sup>o</sup>
-	R07.1	Pure white	powd-c	N	-	-	15 Piece(s)	Left	563938 <input type="checkbox"/>
			powd-c	N	-	-	15 Piece(s)	Right	563939 <input type="checkbox"/>
	R06.4M	Black, matt	powd-c	N	-	-	15 Piece(s)	Left	570510 <input type="checkbox"/>
			powd-c	N	-	-	15 Piece(s)	Right	570511 <input type="checkbox"/>
43	R01.1	Natural silver	anod.	N	-	-	15 Piece(s)	Left	375318 <input type="checkbox"/>
			anod.	N	-	-	15 Piece(s)	Right	375811 <input type="checkbox"/>
	R01.3	Titanium	anod.	N	-	-	15 Piece(s)	Left	375319 <input type="checkbox"/>
			anod.	N	-	-	15 Piece(s)	Right	375814 <input type="checkbox"/>
	R07.2	Traffic white	powd-c	N	-	-	15 Piece(s)	Left	375320 <input type="checkbox"/>
			powd-c	N	-	-	15 Piece(s)	Right	375816 <input type="checkbox"/>
	R07.1	Pure white	powd-c	N	-	-	15 Piece(s)	Left	599455 <input type="checkbox"/>
			powd-c	N	-	-	15 Piece(s)	Right	599456 <input type="checkbox"/>



### 4.1.2 Window handles – cranked, lockable, 40 Nm



DIN right-hand version is shown; DIN left-hand version is a mirror image



#### Product description

- Lockable handle with tested torque 40 Nm
- Closure: push cylinder with reversible key
- Simple and quick locking by pressing the cylinder
- Meets the requirements of SKG
- 90° lock-in position
- Ten-year performance warranty

#### Scope of delivery

- 1 window handle
- 1 key
- Without fixing screws

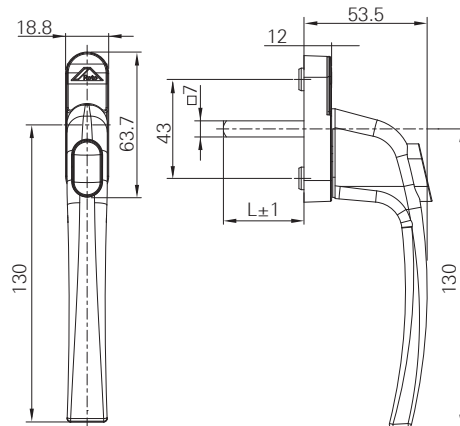


#### INFO

Further information on lockable handles → *from page 21.*

43	R01.1	Natural silver	anod.	N	SKG	-	-	40 Piece(s)	Left	375322 <input checked="" type="checkbox"/>
			anod.	Y	SKG	-	-	40 Piece(s)	Right	375819 <input checked="" type="checkbox"/>
	R01.3	Titanium	anod.	N	SKG	-	-	40 Piece(s)	Left	375325 <input checked="" type="checkbox"/>
			anod.	N	SKG	-	-	40 Piece(s)	Right	375820 <input type="checkbox"/>
	R07.2	Traffic white	powd-c	N	SKG	-	-	40 Piece(s)	Left	375330 <input checked="" type="checkbox"/>
			powd-c	N	SKG	-	-	40 Piece(s)	Right	375821 <input checked="" type="checkbox"/>

### 4.1.3 Window handles – MK 2 with push-to-open mechanism



DIN right-hand version is shown; DIN left-hand version is a mirror image











#### Product description

- Window handle with push-to-open mechanism
- Lock-in position 90°
- 10-year performance warranty

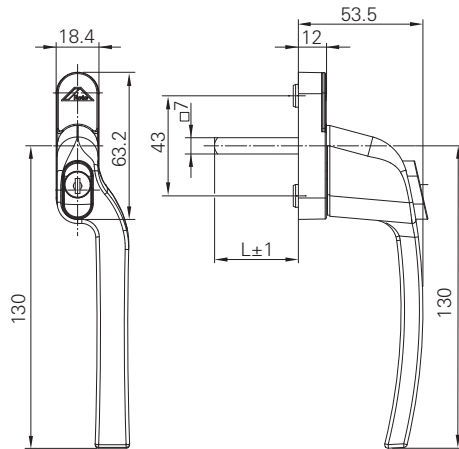
#### Scope of delivery

- 1 window handle
- Without fixing screws

								<b>Nº</b>
30 mm	R01.1	Natural silver	anod.	Y	-	-	40 Piece(s)	764906 <input type="checkbox"/>
	R07.2	Traffic white	powd-c	Y	-	-	40 Piece(s)	258401 <input checked="" type="checkbox"/>
43 mm	R01.1	Natural silver	anod.	Y	-	-	40 Piece(s)	383591 <input type="checkbox"/>
	R07.2	Traffic white	powd-c	Y	-	-	40 Piece(s)	280995 <input checked="" type="checkbox"/>



### 4.1.4 Window handles – MK 2, cranked, lockable



DIN right-hand version is shown; DIN left-hand version is a mirror image



#### Product description

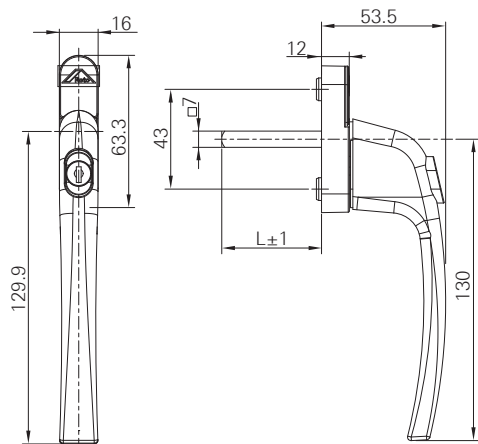
- Cranked handle, lockable
- Lock-in position 90°

#### Scope of delivery

- 1 window handle
- 1 key
- Without fixing screws

43	R01.1	Natural silver	Y	anod.	-	-	Left	40 Piece(s)	345790 <input checked="" type="checkbox"/>
			Y	anod.	-	-	Right	40 Piece(s)	345792 <input checked="" type="checkbox"/>
50	R01.4	Chromium	Y	anod.	-	-	Left	40 Piece(s)	2006173 <input type="checkbox"/>
			Y	anod.	-	-	Right	40 Piece(s)	2006174 <input type="checkbox"/>
	R01.4M	Matt chrome	Y	anod.	-	-	Left	40 Piece(s)	2006177 <input type="checkbox"/>
			Y	anod.	-	-	Right	40 Piece(s)	2006178 <input type="checkbox"/>
	R07.2	Traffic white	Y	anod.	-	-	Left	40 Piece(s)	2006175 <input type="checkbox"/>
			Y	anod.	-	-	Right	40 Piece(s)	2006176 <input type="checkbox"/>

### 4.1.5 Window handles – MK 3, lockable



#### Product description

- Handle, lockable
- Lock-in position 90°

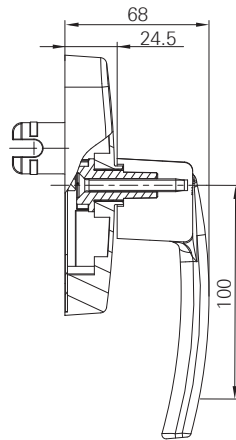
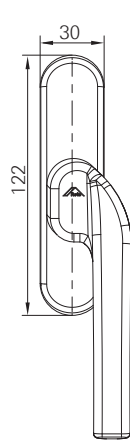
#### Scope of delivery

- 1 window handle
- 1 key
- Without fixing screws

								Nº
30	R07.2	Traffic white	powd-c	Y	-	-	40 Piece(s)	335285 <input type="checkbox"/>
43	R01.4	Chromium	anod.	Y	-	-	40 Piece(s)	355532 <input type="checkbox"/>
	R03.3	Gold	anod.	Y	-	-	40 Piece(s)	335288 <input checked="" type="checkbox"/>
	R07.2	Traffic white	powd-c	Y	-	-	40 Piece(s)	335284 <input checked="" type="checkbox"/>



### 4.1.6 Window handles – geared-handle, cranked handle



DIN right-hand version is shown; DIN left-hand version is a mirror image



**Product description**

- Cranked handle without additional functions
- Lock-in position 90°

**Scope of delivery**

- 1 window handle
- Without fixing screws

26	R01.5	Silver	powd-c	Y	-	-	Left	10 Piece(s)	477855 <input checked="" type="checkbox"/>
			powd-c	Y	-	-	Right	10 Piece(s)	477856 <input checked="" type="checkbox"/>
	R06.2	Jet black	powd-c	Y	-	-	Left	10 Piece(s)	477857 <input checked="" type="checkbox"/>
			powd-c	Y	-	-	Right	10 Piece(s)	477858 <input checked="" type="checkbox"/>
	R07.2	Traffic white	powd-c	Y	-	-	Left	10 Piece(s)	477543 <input checked="" type="checkbox"/>
			powd-c	Y	-	-	Right	10 Piece(s)	477544 <input checked="" type="checkbox"/>
R00.0	Uncoated	-	N	-	-	Left	10 Piece(s)	477859 <input checked="" type="checkbox"/>	
		-	N	-	-	Right	10 Piece(s)	477860 <input checked="" type="checkbox"/>	
32	R01.5	Silver	powd-c	Y	-	-	Left	10 Piece(s)	493977 <input type="checkbox"/>
			powd-c	Y	-	-	Right	10 Piece(s)	492893 <input type="checkbox"/>
	R06.2	Jet black	powd-c	Y	-	-	Left	10 Piece(s)	493294 <input type="checkbox"/>
			powd-c	Y	-	-	Right	10 Piece(s)	492893 <input type="checkbox"/>
	R07.2	Traffic white	powd-c	Y	-	-	Left	10 Piece(s)	493293 <input type="checkbox"/>
			powd-c	Y	-	-	Right	10 Piece(s)	492893 <input type="checkbox"/>
R00.0	Uncoated	-	N	-	-	Left	10 Piece(s)	493982 <input type="checkbox"/>	
		-	N	-	-	Left	10 Piece(s)	493983 <input type="checkbox"/>	

Fork for Roto Line geared-handle → *from page 141*, other fork lengths are available upon request.

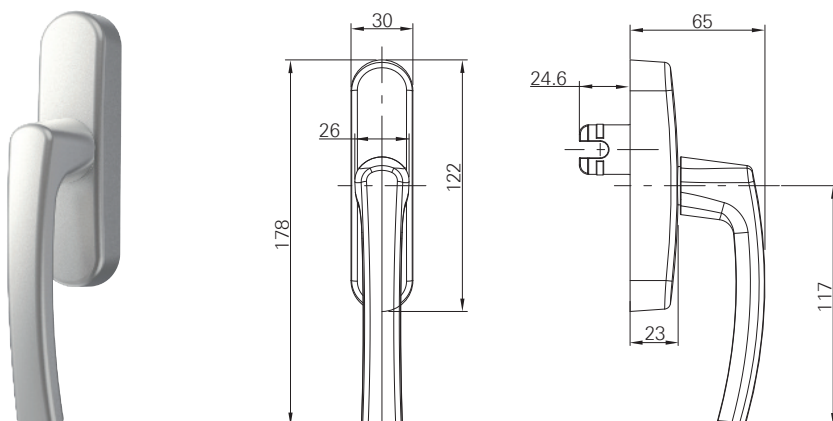
Compatible T connectors → *from page 141*.



**INFO**

The uncoated handle is not supplied assembled.

### 4.1.7 Window handles – geared-handle



#### Product description

- Basic handle without additional functions
- Lock-in position 90°

#### Scope of delivery

- 1 window handle
- Without fixing screws

								N <sup>o</sup>
26	R01.1	Natural silver	anod.	Y	-	-	10 Piece(s)	238671 <input type="checkbox"/>
	R01.1	Natural silver	anod.	N	-	-	10 Piece(s)	384509 <input type="checkbox"/>
	R01.1	Natural silver	wet p	Y	-	-	10 Piece(s)	384325 <input type="checkbox"/>
	R01.5	Silver	powd-c	Y	-	-	10 Piece(s)	377474 <input type="checkbox"/>
	R01.5	Silver	powd-c	N	-	-	10 Piece(s)	384503 <input type="checkbox"/>
	R05.4	Dark bronze	powd-c	Y	-	-	10 Piece(s)	377478 <input type="checkbox"/>
	R05.4	Dark bronze	powd-c	N	-	-	10 Piece(s)	384504 <input type="checkbox"/>
	R06.2M	Jet black, matt	powd-c	Y	-	-	10 Piece(s)	377475 <input type="checkbox"/>
	R06.2M	Jet black, matt	powd-c	N	-	-	10 Piece(s)	384505 <input type="checkbox"/>
	R06.2	Jet black	powd-c	N	-	-	10 Piece(s)	385190 <input type="checkbox"/>
	R07.1	Pure white	powd-c	Y	-	-	10 Piece(s)	377476 <input type="checkbox"/>
	R07.1	Pure white	powd-c	N	-	-	10 Piece(s)	384506 <input type="checkbox"/>
	R07.2	Traffic white	powd-c	Y	-	-	10 Piece(s)	377477 <input type="checkbox"/>
	R07.2	Traffic white	powd-c	N	-	-	10 Piece(s)	384507 <input type="checkbox"/>
	R03.3	Gold	met p	N	-	-	10 Piece(s)	457093 <input type="checkbox"/>
	R03.4	Stainless-steel design	met p	Y	-	-	10 Piece(s)	335880 <input type="checkbox"/>
	SF	Special colour	wet p powd-c	Y	-	-	10 Piece(s)	377479 <input type="checkbox"/>
	SF	Special colour	wet p powd-c	N	-	-	10 Piece(s)	384508 <input type="checkbox"/>
R00.0	Uncoated	-	N	-	-	10 Piece(s)	632981 <input type="checkbox"/>	

Fork for geared-handle → *from page 141*, other fork lengths are available upon request.

Accessories for geared-handle → *from page 141*.

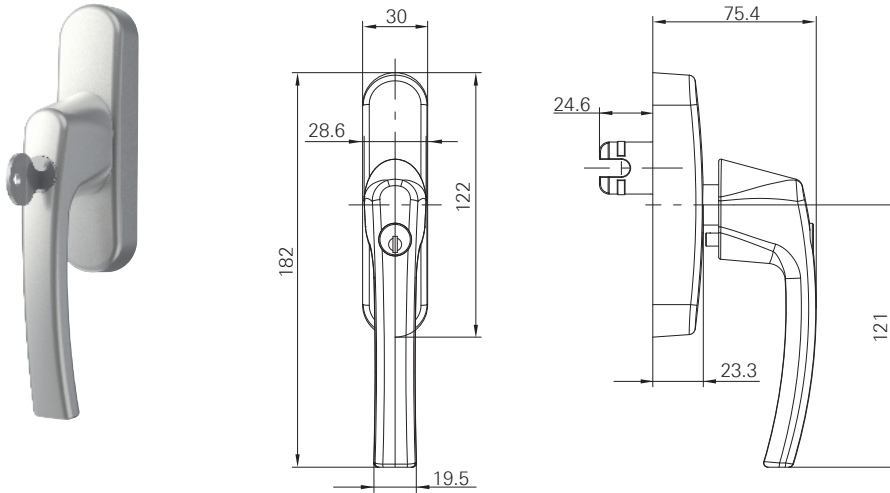


#### INFO

The uncoated handle is not supplied assembled.



### 4.1.8 Window handles – geared-handle, lockable, 100 Nm



#### Product description

- Lockable handle with tested torque 100 Nm
- Closed by a cylinder with reversible key
- Lock-in position 90°

#### Scope of delivery

- 1 window handle
- 2 keys
- Without fixing screws



#### INFO

Further information on lockable handles → *from page 21.*

26	Natural silver	R01.1	wet p	Y	-	-	10 Piece(s)	384524 <input type="checkbox"/>
	Natural silver	R01.1	wet p	N	-	-	10 Piece(s)	384525 <input type="checkbox"/>
	Silver	R01.5	powd-c	Y	-	-	10 Piece(s)	378843 <input type="checkbox"/>
	Stainless-steel design	R03.4	Nickel-plated	Y	-	-	10 Piece(s)	335881 <input type="checkbox"/>
	Dark bronze	R05.4	powd-c	Y	-	-	10 Piece(s)	378917 <input type="checkbox"/>
	Jet black, matt	R06.2M	powd-c	Y	-	-	10 Piece(s)	378844 <input type="checkbox"/>
	Jet black	R06.2	powd-c	Y	-	-	10 Piece(s)	385193 <input type="checkbox"/>
	Pure white	R07.1	powd-c	Y	-	-	10 Piece(s)	378915 <input type="checkbox"/>
	Pure white	R07.1	powd-c	N	-	-	10 Piece(s)	384521 <input type="checkbox"/>
	Traffic white	R07.2	powd-c	Y	-	-	10 Piece(s)	378916 <input type="checkbox"/>
	Special colour	SF	wet p powd-c	Y	-	-	10 Piece(s)	378918 <input type="checkbox"/>
	Special colour	SF	wet p powd-c	N	-	-	10 Piece(s)	384523 <input type="checkbox"/>
Uncoated	R00.0	-	-	N	-	-	10 Piece(s)	238700 <input type="checkbox"/>

Fork for geared-handle → *from page 141*, other fork lengths are available upon request.

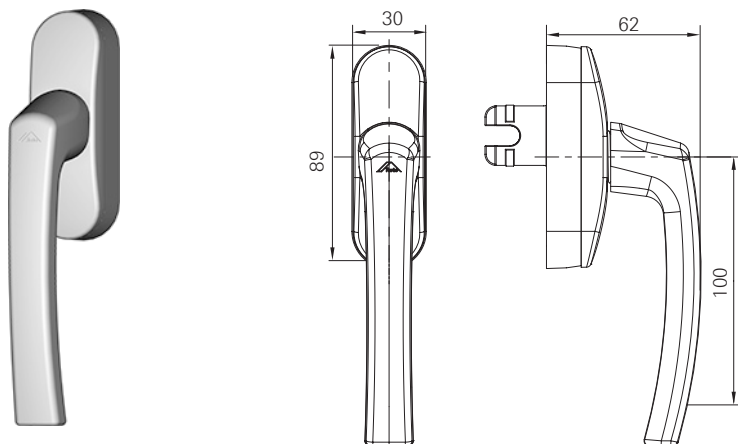
Accessories for geared-handle → *from page 141.*



#### INFO

The uncoated handle is not supplied assembled.

### 4.1.9 Window handles – changeover espagnolette, screw-on



#### Product description

- Basic handle without additional functions
- Can be screwed on from the outside
- Lock-in position 90°

#### Scope of delivery

- 1 window handle
- Without fixing screws

					N <sup>o</sup>
26	R01.5	Silver	Y	10 Piece(s)	491336 <input type="checkbox"/>
	R04.1	Grey brown	Y	10 Piece(s)	491337 <input type="checkbox"/>
	R06.2	Jet black	Y	10 Piece(s)	491338 <input type="checkbox"/>
	R07.2	Traffic white	Y	10 Piece(s)	491335 <input type="checkbox"/>
	R00.0	Untreated	N	10 Piece(s)	491339 <input type="checkbox"/>

Fork for Roto Line changeover espagnolette → *from page 141*, other fork lengths are available upon request.

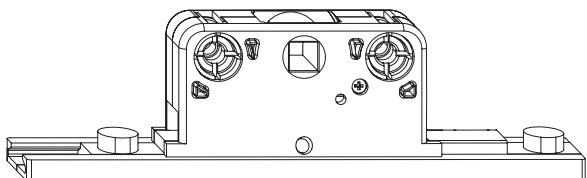
Compatible T connectors → *from page 141*.



## 4.1.10 Accessories




### 4.1.10.1 Flush-encased gearbox

#### 4.1.10.1.1 Flush-encased gearbox

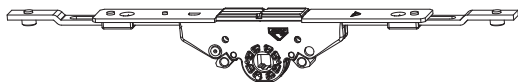





#### Product description

- Backset 25 / 30 mm
- 10 mm coupling points

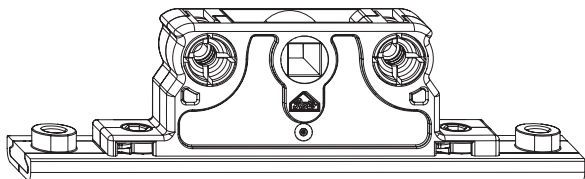
			N <sup>o</sup>
25	Clampable lug	10 Piece(s)	487489 <input type="checkbox"/>
30	Clampable lug	10 Piece(s)	487490 <input type="checkbox"/>

#### 4.1.10.1.2 Flush-encased gearbox



			N <sup>o</sup>
30	280	1 Piece(s)	625431 <input type="checkbox"/>
35	280	1 Piece(s)	625432 <input type="checkbox"/>
40	280	1 Piece(s)	625433 <input type="checkbox"/>

### 4.1.10.1.3 Flush-encased reverse-action espagnolette



#### Product description

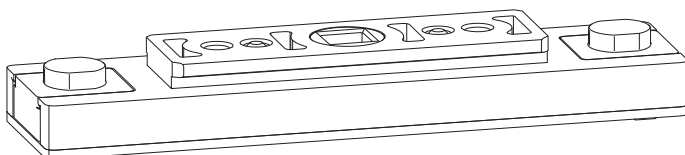
- Backset 22 / 30 mm
- 10 mm coupling points

				N <sup>o</sup>
22	Clampable lug	Left	10 Piece(s)	493590 <input type="checkbox"/>
	Clampable lug	Right	10 Piece(s)	487491 <input type="checkbox"/>
30	Clampable lug	Left	10 Piece(s)	493591 <input type="checkbox"/>
	Clampable lug	Right	10 Piece(s)	487493 <input type="checkbox"/>

### 4.1.10.2 Rebate espagnolette

#### Product description

- Can be used for Euro-groove 15/20
- Right-hand version
- 10 mm coupling points



			N <sup>o</sup>
Rebate espagnolette	Max. 4 locking points	1 Piece(s)	858815 <input type="checkbox"/>



			N <sup>o</sup>
Rebate espagnolette	> 4 locking points	1 Piece(s)	623066 <input type="checkbox"/>



### 4.1.10.3 Geared-handle

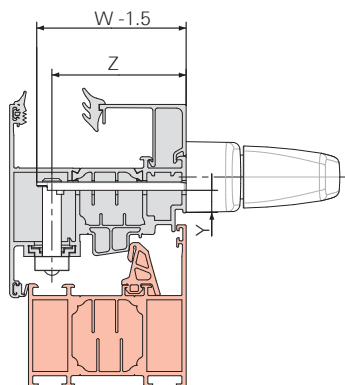
#### 4.1.10.3.1 Fork



**INFO**

Can be used with all Roto Line geared-handles.

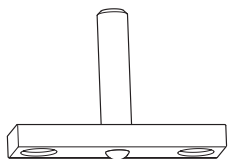
**Geared-handle**





	W (length 1) / Y (length 2)
	Z (minimum)
	Z (maximum)

					N <sup>o</sup>
Fork 1	19 / 10	8	12	100 Piece(s)	490240
Fork 2	32 / 10	21	25	100 Piece(s)	482309
Fork 3	37 / 10	26	30	100 Piece(s)	482310
Fork 4	37 / 4	26	30	100 Piece(s)	482311
Fork 5	46 / 10	35	39	100 Piece(s)	482312
Fork 6	46 / 4	35	39	100 Piece(s)	482313
Fork 7	50 / 10	39	43	100 Piece(s)	482314
Fork 8	53 / 10	42	46	100 Piece(s)	482315
Fork 9	53 / 4	42	46	100 Piece(s)	482316
Fork 10	55 / 10	44	48	100 Piece(s)	482317
Fork 11	60 / 10	49	53	100 Piece(s)	482318
Fork 12	67 / 10	56	60	100 Piece(s)	490611

#### 4.1.10.3.2 T connectors



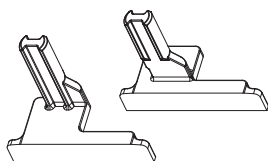
		Nº
25	200 Piece(s)	739481 <input type="checkbox"/>
32	200 Piece(s)	739478 <input type="checkbox"/>
37	200 Piece(s)	739479 <input type="checkbox"/>
47	200 Piece(s)	739480 <input type="checkbox"/>



#### 4.1.10.3.3 TH connector



		Nº
Coupling point, 10 mm	100 Piece(s)	482264 <input type="checkbox"/>

#### 4.1.10.4 Conversion set – reverse-action espagnolette fork



		Nº
Conversion set – reverse-action espagnolette fork	1 Piece(s)	524373 <input type="checkbox"/>



#### INFO

Cannot be used with screw-on geared-handle.



## Roto Patio Fold







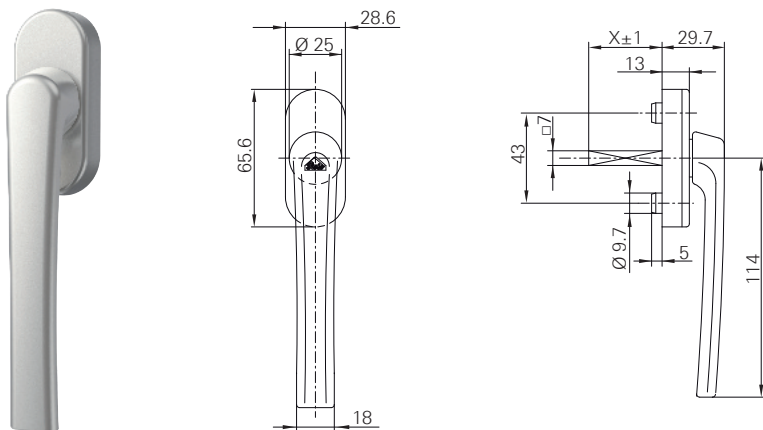
Roto Line

Sliding door handles – flat handle	148
Window handles – standard	149
Window handles – Secustik®	152
Window handles – lockable, 40 Nm	154
Window handles – lockable, 100 Nm	156
Window handles – push-to-open	157
Window handles – geared-handle	158
Window handles – geared-handle, lockable, 100 Nm	160
Window handles – handle without escutcheon	161
Window handles – handle without escutcheon; lockable	162
Set – handle without escutcheon, ring and mounting plate	163
Set – handle without escutcheon; lockable, ring and mounting plate	164
Balcony door handles – escutcheon with flat handle on the outside and escutcheon with handle on the inside	165
Balcony door handles – outside and inside escutcheon with handle	167
Accessories	169

## 5 Roto Patio Fold

### 5.1 Roto Line

#### 5.1.1 Sliding door handles – flat handle



#### Product description

- Basic handle without additional functions
- Lock-in position 90°
- 10-year performance warranty

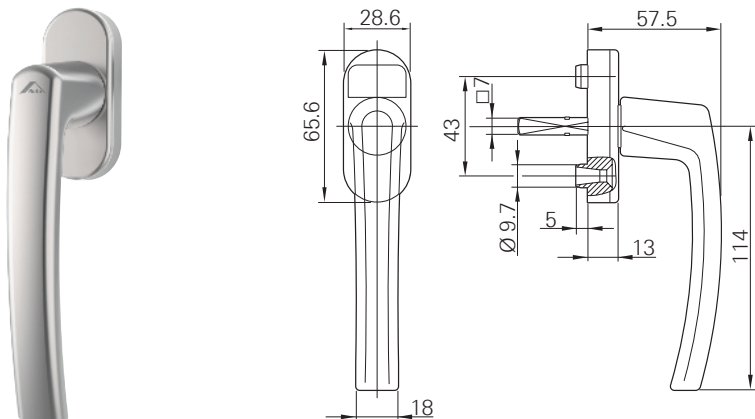
#### Scope of delivery

- 1 sliding door handle
- Without fixing screws

									<b>Nº</b>
35	R01.1	Natural silver	anod.	Y	-	-	20 Piece(s)	336112	
	R01.3	Titanium	anod.	Y	-	-	10 Piece(s)	485766	
	R03.1	Brass matt	anod.	Y	-	-	10 Piece(s)	485765	
	R04.1	Grey brown	powd-c	Y	-	-	10 Piece(s)	485764	
	R04.4	Black brown	powd-c	Y	-	-	10 Piece(s)	490462	
	R05.3	Medium bronze	anod.	Y	-	-	20 Piece(s)	336111	
	R06.2M	Jet black, matt	powd-c	Y	-	-	10 Piece(s)	794355	
55	R07.2	Traffic white	powd-c	Y	-	-	20 Piece(s)	336110	
	R01.1	Natural silver	anod.	Y	-	-	10 Piece(s)	490560	
	R05.3	Medium bronze	anod.	Y	-	-	10 Piece(s)	490561	
	R07.2	Traffic white	powd-c	Y	-	-	10 Piece(s)	490562	



## 5.1.2 Window handles – standard



### Product description

- Basic handle without additional functions
- Lock-in position 90°
- Ten-year performance warranty
- Classification in accordance with DIN EN 13126-3

### Scope of delivery

- 1 window handle
- For fixing screws, see table













### INFO

A flush-encased gearbox is required for use in aluminium profiles → *from page 169.*

24	R01.1	Natural silver		–	anod.	Y	–	–	20 Piece(s)	262466 <input type="checkbox"/>
	R01.1	Natural silver		–	anod.	Y	2	M5x35	20 Piece(s)	799867 <input type="checkbox"/>
	R01.1	Natural silver		–	anod.	N	2	M5x35	20 Piece(s)	858981 <input type="checkbox"/>
	R01.3	Titanium		–	anod.	Y	–	–	20 Piece(s)	341748 <input type="checkbox"/>
	R01.3	Titanium		–	anod.	N	2	M5x35	20 Piece(s)	858983 <input type="checkbox"/>
	R04.1	Grey brown		–	powd-c	N	2	M5x35	20 Piece(s)	858982 <input type="checkbox"/>
	R06.2M	Jet black, matt		–	powd-c	Y	2	M5x30	20 Piece(s)	857277 <input type="checkbox"/>
	R06.2M	Jet black, matt		–	powd-c	Y	2	M5x35	20 Piece(s)	794253 <input type="checkbox"/>
	R07.2	Traffic white		–	powd-c	Y	2	M5x35	20 Piece(s)	490545 <input type="checkbox"/>
	R07.2	Traffic white		–	powd-c	N	2	M5x35	20 Piece(s)	858980 <input type="checkbox"/>
	SF	Special colour	Escutcheon: Signal white	powd-c	Y	2	M5x35	20 Piece(s)	800294 <input type="checkbox"/>	
	SF	Special colour	Escutcheon: Steel grey	powd-c	Y	2	M5x35	20 Piece(s)	800385 <input type="checkbox"/>	
	SF	Special colour	Escutcheon: Jet black	powd-c	Y	2	M5x35	20 Piece(s)	788812 <input type="checkbox"/>	

**Roto Patio Fold**  
**Roto Line**  
Window handles – standard

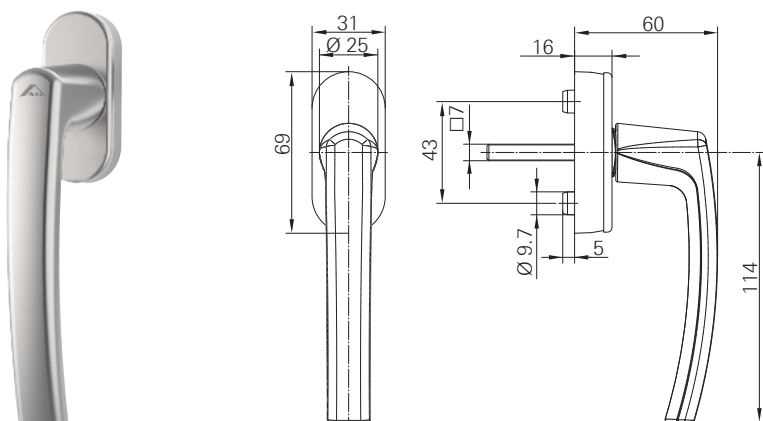
											Nº
30	R01.1	Natural silver	–	anod.	Y	–	–	–	20 Piece(s)	227897	<input type="checkbox"/>
	R01.1	Natural silver	–	anod.	N	–	–	–	20 Piece(s)	228079	<input type="checkbox"/>
	R01.2	Nickel silver	–	anod.	Y	–	–	–	20 Piece(s)	227899	<input type="checkbox"/>
	R01.3	Titanium	–	anod.	Y	–	–	–	20 Piece(s)	227781	<input type="checkbox"/>
	R01.3	Titanium	–	anod.	N	2	M5x40	20 Piece(s)	339532	<input type="checkbox"/>	
	R04.1	Grey brown	–	powd-c	N	2	M5x40	20 Piece(s)	482542	<input type="checkbox"/>	
	R05.3	Medium bronze	–	anod.	Y	–	–	–	20 Piece(s)	227903	<input type="checkbox"/>
	R05.5	Bronze	–	anod.	Y	–	–	–	20 Piece(s)	227905	<input type="checkbox"/>
	R05.5	Bronze	–	anod.	N	–	–	–	20 Piece(s)	228088	<input type="checkbox"/>
	R07.2	Traffic white	–	powd-c	Y	–	–	–	20 Piece(s)	227790	<input type="checkbox"/>
	R07.2	Traffic white	–	powd-c	N	2	M5x40	20 Piece(s)	228176	<input type="checkbox"/>	
32	R01.1	Natural silver	–	anod.	Y	2	M5x40	20 Piece(s)	799868	<input type="checkbox"/>	
	R01.1	Natural silver	–	anod.	N	2	M5x40	20 Piece(s)	618706	<input checked="" type="checkbox"/>	
	R01.3	Titanium	–	anod.	N	2	M5x40	20 Piece(s)	618708	<input checked="" type="checkbox"/>	
	R03.2	Brass, polished	–	anod.	N	–	–	–	20 Piece(s)	245628	<input type="checkbox"/>
	R05.3	Medium bronze	–	anod.	N	2	M5x40	20 Piece(s)	618707	<input checked="" type="checkbox"/>	
	R07.2	Traffic white	–	powd-c	N	2	M5x40	20 Piece(s)	618709	<input checked="" type="checkbox"/>	
35	R01.1	Natural silver	–	anod.	Y	–	–	–	20 Piece(s)	227907	<input type="checkbox"/>
	R01.1	Natural silver	–	anod.	N	2	M5x45	20 Piece(s)	280398	<input type="checkbox"/>	
	R01.2	Nickel silver	–	anod.	Y	–	–	–	20 Piece(s)	227909	<input type="checkbox"/>
	R01.2	Nickel silver	–	anod.	N	2	M5x45	20 Piece(s)	263704	<input type="checkbox"/>	
	R01.3	Titanium	–	anod.	Y	–	–	–	20 Piece(s)	227796	<input type="checkbox"/>
	R01.3	Titanium	–	anod.	N	2	M5x45	20 Piece(s)	255369	<input type="checkbox"/>	
	R03.1	Brass matt	–	anod.	Y	–	–	–	20 Piece(s)	227911	<input type="checkbox"/>
	R03.1	Brass matt	–	anod.	N	2	M5x45	20 Piece(s)	482544	<input type="checkbox"/>	
	R03.2	Brass, polished	–	anod.	Y	–	–	–	20 Piece(s)	227801	<input type="checkbox"/>
	R04.1	Grey brown	–	powd-c	Y	–	–	–	20 Piece(s)	227803	<input type="checkbox"/>
	R04.1	Grey brown	–	powd-c	N	2	M5x45	20 Piece(s)	256230	<input type="checkbox"/>	
	R05.3	Medium bronze	–	anod.	Y	–	–	–	20 Piece(s)	227913	<input type="checkbox"/>
	R05.3	Medium bronze	–	anod.	N	2	M5x45	20 Piece(s)	348329	<input type="checkbox"/>	
	R05.5	Bronze	–	anod.	Y	–	–	–	20 Piece(s)	227915	<input type="checkbox"/>
	R05.5	Bronze	–	anod.	N	–	–	–	20 Piece(s)	228098	<input type="checkbox"/>
	R06.2	Jet black	–	powd-c	Y	–	–	–	20 Piece(s)	227793	<input type="checkbox"/>
	R07.1	Pure white	–	powd-c	Y	–	–	–	20 Piece(s)	227806	<input type="checkbox"/>
	R07.2	Traffic white	–	powd-c	Y	2	M5x45	20 Piece(s)	256756	<input type="checkbox"/>	
	R07.2	Traffic white	–	powd-c	N	2	M5x45	20 Piece(s)	256755	<input type="checkbox"/>	
R07.3	Cream	–	powd-c	Y	–	–	–	20 Piece(s)	227810	<input type="checkbox"/>	
R07.3	Cream	–	powd-c	N	–	–	–	20 Piece(s)	341745	<input type="checkbox"/>	
37	R01.1	Natural silver	–	anod.	Y	2	M5x45	20 Piece(s)	799869	<input type="checkbox"/>	
	R01.1	Natural silver	–	anod.	N	2	M5x45	20 Piece(s)	384342	<input checked="" type="checkbox"/>	
	R01.3	Titanium	–	anod.	N	2	M5x45	20 Piece(s)	384344	<input checked="" type="checkbox"/>	
	R04.1	Grey brown	–	powd-c	N	2	M5x45	20 Piece(s)	858973	<input type="checkbox"/>	
	R05.3	Medium bronze	–	anod.	N	2	M5x45	20 Piece(s)	618710	<input checked="" type="checkbox"/>	
	R07.2	Traffic white	–	powd-c	N	2	M5x45	20 Piece(s)	386267	<input checked="" type="checkbox"/>	
40	R01.1	Natural silver	–	anod.	N	2	M5x50	20 Piece(s)	623132	<input type="checkbox"/>	
	R01.3	Titanium	–	anod.	Y	–	–	–	20 Piece(s)	262935	<input type="checkbox"/>
	R01.3	Titanium	–	anod.	N	2	M5x50	20 Piece(s)	330870	<input type="checkbox"/>	
	R04.1	Grey brown	–	powd-c	N	2	M5x50	20 Piece(s)	330867	<input type="checkbox"/>	
	R05.3	Medium bronze	–	anod.	N	–	–	–	20 Piece(s)	364502	<input type="checkbox"/>
	R06.2M	Jet black, matt	–	powd-c	N	–	–	–	20 Piece(s)	794254	<input type="checkbox"/>
	R07.2	Traffic white	–	powd-c	N	2	M5x50	20 Piece(s)	623133	<input type="checkbox"/>	
	R07.3	Cream	–	powd-c	N	–	–	–	20 Piece(s)	349652	<input type="checkbox"/>



									Nº
43	R01.1	Natural silver	–	anod.	Y	2	M5x50	20 Piece(s)	799870 <input type="checkbox"/>
	R01.1	Natural silver	–	anod.	N	2	M5x50	20 Piece(s)	594323 <input type="checkbox"/>
	R01.1	Natural silver	–	anod.	N	2	M5x55	20 Piece(s)	618711 <input checked="" type="checkbox"/>
	R01.2	Nickel silver	–	anod.	Y	–	–	20 Piece(s)	571693 <input type="checkbox"/>
	R01.2	Nickel silver	–	anod.	N	2	M5x50	20 Piece(s)	594324 <input type="checkbox"/>
	R01.3	Titanium	–	anod.	Y	–	–	20 Piece(s)	571694 <input type="checkbox"/>
	R01.3	Titanium	–	anod.	N	2	M5x50	20 Piece(s)	594325 <input type="checkbox"/>
	R01.3	Titanium	–	anod.	N	2	M5x55	20 Piece(s)	618713 <input checked="" type="checkbox"/>
	R03.1	Brass matt	–	anod.	Y	–	–	20 Piece(s)	572415 <input checked="" type="checkbox"/>
	R03.1	Brass matt	–	anod.	N	2	M5x50	20 Piece(s)	594326 <input type="checkbox"/>
	R03.2	Brass, polished	–	anod.	Y	–	–	20 Piece(s)	572420 <input type="checkbox"/>
	R04.1	Grey brown	–	powd-c	Y	–	–	20 Piece(s)	572416 <input checked="" type="checkbox"/>
	R04.1	Grey brown	–	powd-c	N	2	M5x50	20 Piece(s)	594327 <input type="checkbox"/>
	R05.3	Medium bronze	–	anod.	Y	–	–	20 Piece(s)	572417 <input checked="" type="checkbox"/>
	R05.3	Medium bronze	–	anod.	N	2	M5x50	20 Piece(s)	594328 <input type="checkbox"/>
	R05.3	Medium bronze	–	anod.	N	2	M5x55	20 Piece(s)	618712 <input checked="" type="checkbox"/>
	R05.5	Bronze	–	anod.	Y	–	–	20 Piece(s)	572418 <input checked="" type="checkbox"/>
	R05.5	Bronze	–	anod.	N	2	M5x50	20 Piece(s)	594329 <input type="checkbox"/>
R07.2	Traffic white	–	powd-c	Y	–	–	20 Piece(s)	572419 <input checked="" type="checkbox"/>	
R07.2	Traffic white	–	powd-c	N	2	M5x50	20 Piece(s)	594330 <input type="checkbox"/>	
R07.2	Traffic white	–	powd-c	N	2	M5x55	20 Piece(s)	618739 <input checked="" type="checkbox"/>	
45	R01.1	Natural silver	–	anod.	N	–	–	20 Piece(s)	347442 <input type="checkbox"/>
	R07.2	Traffic white	–	powd-c	N	2	M5x55	20 Piece(s)	256232 <input type="checkbox"/>



### 5.1.3 Window handles – Secustik®



#### Product description

- Handle with automatic locking
- Protection against being tampered with from the outside
- Patented locking mechanism to provide built-in basic security
- Lock-in position 90°
- Ten-year performance warranty
- Classification in accordance with DIN EN 13126-3

#### Scope of delivery

- 1 window handle
- For fixing screws, see table

#### **i** INFO









Further information on Secustik® → *from page 22*

#### **i** INFO

A flush-encased gearbox is required for use in aluminium profiles → *from page 169.*

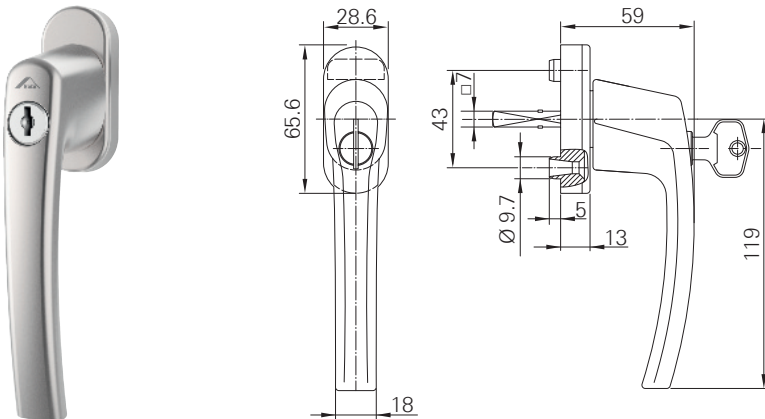
24	R01.1	Natural silver	anod.	Y	2	M5x35	20 Piece(s)	799579	<input type="checkbox"/>
	R01.3	Titanium	anod.	Y	2	M5x35	20 Piece(s)	738921	<input type="checkbox"/>
	R06.2M	Jet black, matt	powd-c	Y	2	M5x35	20 Piece(s)	794357	<input type="checkbox"/>
	R07.2	Traffic white	powd-c	Y	2	M5x40	20 Piece(s)	799790	<input type="checkbox"/>
32	R01.1	Natural silver	anod.	Y	2	M5x50	20 Piece(s)	799792	<input type="checkbox"/>
			anod.	N	2	M5x40	20 Piece(s)	618714	<input checked="" type="checkbox"/>
	R01.3	Titanium	anod.	N	2	M5x40	20 Piece(s)	618736	<input checked="" type="checkbox"/>
	R04.1	Grey brown	powd-c	N	–	–	20 Piece(s)	351759	<input type="checkbox"/>
	R05.3	Medium bronze	anod.	N	2	M5x40	20 Piece(s)	618735	<input checked="" type="checkbox"/>
	R05.5	Bronze	anod.	N	2	M5x40	20 Piece(s)	623781	<input type="checkbox"/>
	R06.2M	Jet black, matt	powd-c	N	–	–	20 Piece(s)	794349	<input type="checkbox"/>
R07.2	Traffic white	powd-c	Y	2	M5x50	20 Piece(s)	799793	<input type="checkbox"/>	
		powd-c	N	2	M5x40	20 Piece(s)	618737	<input checked="" type="checkbox"/>	
35	R01.1	Natural silver	anod.	N	–	–	20 Piece(s)	775044	<input type="checkbox"/>
	R05.4	Dark bronze	anod.	Y	–	–	20 Piece(s)	627465	<input type="checkbox"/>
	R05.5	Bronze	anod.	N	–	–	20 Piece(s)	775135	<input type="checkbox"/>
	R07.2	Traffic white	powd-c	Y	–	–	20 Piece(s)	627468	<input type="checkbox"/>
powd-c			N	–	–	20 Piece(s)	775043	<input type="checkbox"/>	



	 Roto							Nº
37	R01.1	Natural silver	anod.	Y	2	M5x50	20 Piece(s)	799795 <input type="checkbox"/>
			anod.	N	2	M5x50	20 Piece(s)	570401 <input type="checkbox"/>
	R01.3	Titanium	anod.	Y	2	M5x50	20 Piece(s)	799796 <input checked="" type="checkbox"/>
			anod.	N	2	M5x50	20 Piece(s)	487658 <input type="checkbox"/>
	R03.1	Brass matt	anod.	N	2	M5x50	20 Piece(s)	629478 <input type="checkbox"/>
	R04.1	Grey brown	powd-c	N	2	M5x50	20 Piece(s)	570402 <input type="checkbox"/>
	R05.3	Medium bronze	anod.	N	2	M5x50	20 Piece(s)	618738 <input checked="" type="checkbox"/>
	R05.5	Bronze	anod.	N	–	–	20 Piece(s)	351742 <input type="checkbox"/>
	R06.2M	Jet black, matt	powd-c	N	2	M5x50	20 Piece(s)	643331 <input type="checkbox"/>
	R07.2	Traffic white	powd-c	N	2	M5x45	20 Piece(s)	384421 <input type="checkbox"/>
powd-c			Y	2	M5x50	20 Piece(s)	799797 <input type="checkbox"/>	
powd-c			N	2	M5x50	20 Piece(s)	487657 <input type="checkbox"/>	
40	R01.1	Natural silver	anod.	Y	–	–	20 Piece(s)	627460 <input type="checkbox"/>
			anod.	N	–	–	20 Piece(s)	363584 <input type="checkbox"/>
	R01.2	Nickel silver	anod.	Y	–	–	20 Piece(s)	627456 <input type="checkbox"/>
	R01.3	Titanium	anod.	Y	–	–	20 Piece(s)	627458 <input type="checkbox"/>
	R03.1	Brass matt	anod.	Y	–	–	20 Piece(s)	627455 <input type="checkbox"/>
			anod.	N	–	–	20 Piece(s)	640188 <input type="checkbox"/>
	R04.1	Grey brown	powd-c	N	–	–	20 Piece(s)	363617 <input type="checkbox"/>
	R05.4	Dark bronze	anod.	Y	–	–	20 Piece(s)	627457 <input type="checkbox"/>
	R05.5	Bronze	anod.	Y	–	–	20 Piece(s)	627454 <input type="checkbox"/>
			anod.	N	–	–	20 Piece(s)	363619 <input type="checkbox"/>
	R07.1	Pure white	powd-c	N	–	–	20 Piece(s)	640189 <input type="checkbox"/>
	R07.2	Traffic white	powd-c	Y	–	–	20 Piece(s)	498770 <input type="checkbox"/>
R07.3	Cream	powd-c	Y	–	–	20 Piece(s)	498771 <input type="checkbox"/>	
		powd-c	N	–	–	20 Piece(s)	640263 <input type="checkbox"/>	
43	R01.1	Natural silver	anod.	Y	2	M5x55	20 Piece(s)	799799 <input type="checkbox"/>
			anod.	N	2	M5x55	20 Piece(s)	594331 <input type="checkbox"/>
	R01.3	Titanium	anod.	N	2	M5x55	20 Piece(s)	594333 <input type="checkbox"/>
	R04.1	Grey brown	powd-c	N	2	M5x55	20 Piece(s)	594335 <input type="checkbox"/>
	R05.3	Medium bronze	anod.	N	2	M5x55	20 Piece(s)	594336 <input type="checkbox"/>
	R05.5	Bronze	anod.	N	2	M5x55	20 Piece(s)	594337 <input type="checkbox"/>
	R07.2	Traffic white	powd-c	Y	2	M5x55	20 Piece(s)	799801 <input type="checkbox"/>
			powd-c	N	2	M5x55	20 Piece(s)	594338 <input type="checkbox"/>



### 5.1.4 Window handles – lockable, 40 Nm



#### Product description

- Lockable handle with tested torque 40 Nm (basic security)
- Closed by a rotary cylinder with reversible key
- Can be unlocked and locked as required
- Can be operated when the handle is unlocked
- Lock-in position 90°
- Ten-year performance warranty
- Classification in accordance with DIN EN 13126-3

#### Scope of delivery

- 1 window handle
- 1 key
- For fixing screws, see table











#### INFO

A flush-encased gearbox is required for use in aluminium profiles → *from page 169.*

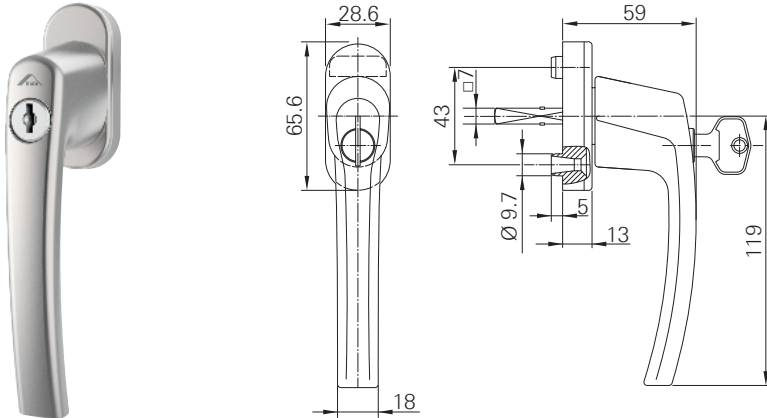
24	R01.1	Natural silver	anod.	Y	–	–	15 Piece(s)	610560 <input type="checkbox"/>	
	R01.5	Silver	anod.	N	2	M5x30	15 Piece(s)	640325 <input type="checkbox"/>	
	R06.2	Jet black	powd-c	Y	2	M5x40	15 Piece(s)	840755 <input type="checkbox"/>	
	R07.2	Traffic white	powd-c	Y	–	–	15 Piece(s)	765011 <input type="checkbox"/>	
30	R01.1	Natural silver	anod.	Y	–	–	15 Piece(s)	227962 <input type="checkbox"/>	
	R01.1	Natural silver	anod.	N	–	–	15 Piece(s)	228125 <input type="checkbox"/>	
	R01.3	Titanium	anod.	Y	–	–	15 Piece(s)	227863 <input type="checkbox"/>	
	R01.3	Titanium	anod.	N	–	–	15 Piece(s)	228035 <input type="checkbox"/>	
	R05.3	Medium bronze	anod.	Y	–	–	15 Piece(s)	227965 <input type="checkbox"/>	
	R05.5	Bronze	anod.	Y	–	–	15 Piece(s)	227966 <input type="checkbox"/>	
	R06.2M	Jet black, matt	powd-c	N	–	M5x50	15 Piece(s)	794358 <input type="checkbox"/>	
	R07.2	Traffic white	powd-c	Y	–	–	15 Piece(s)	227868 <input type="checkbox"/>	
32	R07.2	Traffic white	powd-c	N	–	–	15 Piece(s)	228039 <input type="checkbox"/>	
	R01.1	Natural silver	anod.	N	2	M5x40	15 Piece(s)	618768 <input type="checkbox"/>	
	R01.3	Titanium	anod.	N	2	M5x40	15 Piece(s)	618770 <input type="checkbox"/>	
	R05.3	Medium bronze	anod.	N	2	M5x40	15 Piece(s)	618769 <input type="checkbox"/>	
	R07.2	Traffic white	powd-c	N	2	M5x40	15 Piece(s)	618771 <input type="checkbox"/>	



								N <sup>o</sup>
35	R01.1	Natural silver	anod.	Y	–	–	15 Piece(s)	227967 <input type="checkbox"/>
	R01.1	Natural silver	anod.	N	2	M5x45	15 Piece(s)	280399 <input type="checkbox"/>
	R01.2	Nickel silver	anod.	N	–	–	15 Piece(s)	228131 <input type="checkbox"/>
	R01.3	Titanium	anod.	Y	–	–	15 Piece(s)	227871 <input type="checkbox"/>
	R01.3	Titanium	anod.	N	–	–	15 Piece(s)	228040 <input type="checkbox"/>
	R05.3	Medium bronze	anod.	Y	–	–	15 Piece(s)	227970 <input type="checkbox"/>
	R05.5	Bronze	anod.	N	–	–	15 Piece(s)	228134 <input type="checkbox"/>
	R05.5	Bronze	anod.	Y	–	–	15 Piece(s)	227971 <input type="checkbox"/>
	R07.1	Pure white	powd-c	N	–	–	15 Piece(s)	228043 <input type="checkbox"/>
	R07.2	Traffic white	powd-c	Y	–	–	15 Piece(s)	227876 <input type="checkbox"/>
	R07.2	Traffic white	powd-c	N	2	M5x45	15 Piece(s)	246638 <input type="checkbox"/>
	R07.3	Cream	powd-c	N	–	–	15 Piece(s)	377606 <input type="checkbox"/>
37	R01.1	Natural silver	anod.	N	2	M5x45	15 Piece(s)	384395 <input type="checkbox"/>
	R01.3	Titanium	anod.	N	2	M5x45	15 Piece(s)	384438 <input type="checkbox"/>
	R05.3	Medium bronze	anod.	N	2	M5x45	15 Piece(s)	618772 <input checked="" type="checkbox"/>
	R07.2	Traffic white	powd-c	N	2	M5x45	15 Piece(s)	384397 <input type="checkbox"/>
40	R01.1	Natural silver	anod.	N	2	M5x50	15 Piece(s)	352026 <input type="checkbox"/>
	R01.3	Titanium	anod.	N	2	M5x55	15 Piece(s)	566529 <input type="checkbox"/>
	R04.1	Grey brown	powd-c	N	–	–	15 Piece(s)	377609 <input type="checkbox"/>
	R07.2	Traffic white	powd-c	N	2	M5x50	15 Piece(s)	331006 <input type="checkbox"/>
	R07.2	Traffic white	powd-c	N	2	M5x55	15 Piece(s)	566528 <input type="checkbox"/>
	R07.3	Cream	powd-c	N	–	–	15 Piece(s)	377610 <input type="checkbox"/>
43	R01.1	Natural silver	anod.	N	2	M5x50	15 Piece(s)	594339 <input type="checkbox"/>
	R01.1	Natural silver	anod.	N	2	M5x55	15 Piece(s)	618774 <input checked="" type="checkbox"/>
	R01.3	Titanium	anod.	N	2	M5x50	15 Piece(s)	594341 <input type="checkbox"/>
	R01.3	Titanium	anod.	N	2	M5x55	15 Piece(s)	618786 <input checked="" type="checkbox"/>
	R05.5	Bronze	anod.	N	2	M5x50	15 Piece(s)	594345 <input type="checkbox"/>
	R07.2	Traffic white	powd-c	N	2	M5x50	15 Piece(s)	594346 <input type="checkbox"/>
	R07.2	Traffic white	powd-c	N	2	M5x55	15 Piece(s)	618787 <input checked="" type="checkbox"/>



### 5.1.5 Window handles – lockable, 100 Nm



#### Product description

- Lockable handle with tested torque 100 Nm
- Closed by a push cylinder with reversible key
- Simple and quick locking by pushing down the cylinder
- Meets the requirements of DIN EN 13126-3, RC 1 - RC 6
- Lock-in position 90°
- Ten-year performance warranty
- Classification in accordance with DIN EN 13126-3

#### Scope of delivery

- 1 window handle
- 1 key
- For fixing screws, see table



#### INFO

Further information on lockable handles → *from page 21.*



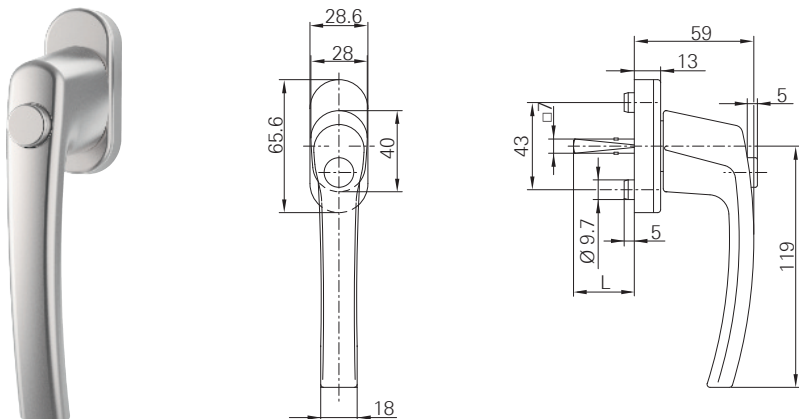
#### INFO

A flush-encased gearbox is required for use in aluminium profiles → *from page 169.*

24	R01.1	Natural silver	anod.	Y	2	M5x30	20 Piece(s)	819857 <input type="checkbox"/>	
	R01.1	Natural silver	anod.	N	2	M5x35	20 Piece(s)	858985 <input type="checkbox"/>	
	R01.3	Titanium	anod.	N	2	M5x35	20 Piece(s)	858986 <input type="checkbox"/>	
	R07.2	Traffic white	powd-c	Y	2	M5x30	20 Piece(s)	819856 <input type="checkbox"/>	
	R07.2	Traffic white	powd-c	N	2	M5x35	20 Piece(s)	858984 <input type="checkbox"/>	



## 5.1.6 Window handles – push-to-open



### Product description

- Window handle with push-to-open mechanism
- The push function makes locking and unlocking possible
- Lock-in position 90°
- Ten-year performance warranty
- Classification in accordance with DIN EN 13126-3

### Scope of delivery




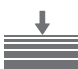




- 1 window handle
- For fixing screws, see table



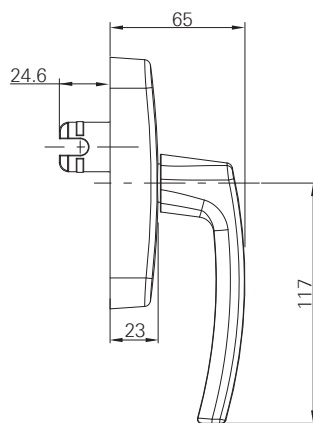
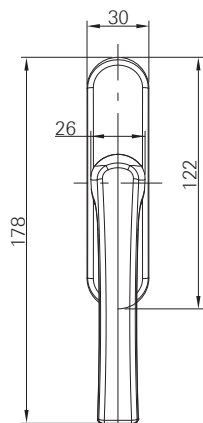
### INFO

A flush-encased gearbox is required for use in aluminium profiles → *from page 169.*

24	R01.1	Natural silver	anod.	N	2	M5x35	20 Piece(s)	858988	<input type="checkbox"/>
	R01.3	Titanium	anod.	N	2	M5x35	20 Piece(s)	858989	<input type="checkbox"/>
	R07.2	Traffic white	powd-c	N	2	M5x35	20 Piece(s)	858987	<input type="checkbox"/>
30	R01.1	Natural silver	anod.	N	-	-	15 Piece(s)	228135	<input type="checkbox"/>
	R07.2	Traffic white	powd-c	N	-	-	15 Piece(s)	228049	<input type="checkbox"/>
32	R01.1	Natural silver	anod.	N	2	M5x40	15 Piece(s)	618740	<input checked="" type="checkbox"/>
	R01.3	Titanium	anod.	N	2	M5x40	15 Piece(s)	618742	<input checked="" type="checkbox"/>
	R05.3	Medium bronze	anod.	N	2	M5x40	15 Piece(s)	618741	<input checked="" type="checkbox"/>
	R07.2	Traffic white	powd-c	N	2	M5x40	15 Piece(s)	618807	<input checked="" type="checkbox"/>
35	R01.1	Natural silver	anod.	N	-	-	15 Piece(s)	228140	<input type="checkbox"/>
	R01.3	Titanium	anod.	N	-	-	15 Piece(s)	228050	<input type="checkbox"/>
	R03.1	Brass matt	anod.	N	-	-	15 Piece(s)	228142	<input type="checkbox"/>
	R04.1	Grey brown	powd-c	N	-	-	15 Piece(s)	228052	<input type="checkbox"/>
	R05.3	Medium bronze	anod.	N	-	-	15 Piece(s)	228143	<input type="checkbox"/>
	R05.5	Bronze	anod.	N	-	-	15 Piece(s)	228144	<input type="checkbox"/>
	R07.2	Traffic white	powd-c	N	-	-	15 Piece(s)	228054	<input type="checkbox"/>

								Nº
37	R01.1	Natural silver	anod.	N	2	M5x45	15 Piece(s)	384435 <input type="checkbox"/>
			anod.	Y	2	M5x45	15 Piece(s)	2004427 <input type="checkbox"/>
	R01.3	Titanium	anod.	N	2	M5x45	15 Piece(s)	385079 <input type="checkbox"/>
			anod.	Y	2	M5x45	15 Piece(s)	2004430 <input type="checkbox"/>
	R03.1	Brass matt	anod.	Y	2	M5x45	15 Piece(s)	2004428 <input type="checkbox"/>
	R04.1	Grey brown	powd-c	N	2	M5x45	20 Piece(s)	858977 <input type="checkbox"/>
	R05.3	Medium bronze	anod.	N	2	M5x45	15 Piece(s)	618743 <input checked="" type="checkbox"/>
	R05.5	Bronze	anod.	Y	2	M5x45	15 Piece(s)	2004429 <input type="checkbox"/>
	R06.2M	Jet black, matt	powd-c	Y	2	M5x45	15 Piece(s)	2004426 <input type="checkbox"/>
	R07.2	Traffic white	powd-c	N	2	M5x45	15 Piece(s)	384437 <input type="checkbox"/>
			powd-c	Y	2	M5x45	15 Piece(s)	2004425 <input type="checkbox"/>
	R07.3	Cream	powd-c	N	2	M5x45	20 Piece(s)	858976 <input type="checkbox"/>
powd-c			Y	2	M5x45	15 Piece(s)	2004424 <input type="checkbox"/>	
43	R01.1	Natural silver	anod.	N	2	M5x50	15 Piece(s)	598416 <input type="checkbox"/>
			powd-c	Y	2	M5x50	15 Piece(s)	2004435 <input type="checkbox"/>
			anod.	N	2	M5x55	15 Piece(s)	618744 <input checked="" type="checkbox"/>
	R01.3	Titanium	anod.	N	2	M5x55	15 Piece(s)	618766 <input checked="" type="checkbox"/>
			anod.	Y	2	M5x50	15 Piece(s)	2004438 <input type="checkbox"/>
	R03.1	Brass matt	anod.	Y	2	M5x50	15 Piece(s)	2004436 <input type="checkbox"/>
	R05.5	Bronze	anod.	N	2	M5x50	15 Piece(s)	598421 <input type="checkbox"/>
			anod.	Y	2	M5x50	15 Piece(s)	2004437 <input type="checkbox"/>
	R06.2M	Jet black, matt	powd-c	Y	2	M5x50	15 Piece(s)	2004434 <input type="checkbox"/>
	R07.2	Traffic white	powd-c	N	2	M5x50	15 Piece(s)	598422 <input type="checkbox"/>
			powd-c	Y	2	M5x50	15 Piece(s)	2004433 <input type="checkbox"/>
			powd-c	N	2	M5x55	15 Piece(s)	618767 <input checked="" type="checkbox"/>
R07.3	Cream	powd-c	Y	2	M5x50	15 Piece(s)	2004432 <input type="checkbox"/>	

### 5.1.7 Window handles – geared-handle





**Product description**

- Basic handle without additional functions
- Lock-in position 90°

**Scope of delivery**

- 1 window handle
- Without fixing screws

								N <sup>o</sup>
26	R01.1	Natural silver	anod.	Y	-	-	10 Piece(s)	238671 <input checked="" type="checkbox"/>
			anod.	N	-	-	10 Piece(s)	384509 <input checked="" type="checkbox"/>
			wet p	Y	-	-	10 Piece(s)	384325 <input checked="" type="checkbox"/>
	R01.5	Silver	powd-c	Y	-	-	10 Piece(s)	377474 <input checked="" type="checkbox"/>
			powd-c	N	-	-	10 Piece(s)	384503 <input checked="" type="checkbox"/>
	R05.4	Dark bronze	powd-c	Y	-	-	10 Piece(s)	377478 <input checked="" type="checkbox"/>
			powd-c	N	-	-	10 Piece(s)	384504 <input checked="" type="checkbox"/>
	R06.2M	Jet black, matt	powd-c	Y	-	-	10 Piece(s)	377475 <input checked="" type="checkbox"/>
			powd-c	N	-	-	10 Piece(s)	384505 <input checked="" type="checkbox"/>
	R06.2	Jet black	powd-c	N	-	-	10 Piece(s)	385190 <input checked="" type="checkbox"/>
	R07.1	Pure white	powd-c	Y	-	-	10 Piece(s)	377476 <input checked="" type="checkbox"/>
			powd-c	N	-	-	10 Piece(s)	384506 <input checked="" type="checkbox"/>
	R07.2	Traffic white	powd-c	Y	-	-	10 Piece(s)	377477 <input checked="" type="checkbox"/>
			powd-c	N	-	-	10 Piece(s)	384507 <input checked="" type="checkbox"/>
	R03.3	Gold	met p	N	-	-	10 Piece(s)	457093 <input checked="" type="checkbox"/>
R03.4	Stainless-steel design	met p	Y	-	-	10 Piece(s)	335880 <input checked="" type="checkbox"/>	
SF	Special colour	wet p powd-c	Y	-	-	10 Piece(s)	377479 <input checked="" type="checkbox"/>	
		wet p powd-c	N	-	-	10 Piece(s)	384508 <input checked="" type="checkbox"/>	
R00.0	Uncoated	-	N	-	-	10 Piece(s)	632981 <input checked="" type="checkbox"/>	
32	R01.1	Natural silver	anod.	Y	-	-	10 Piece(s)	384516 <input type="checkbox"/>
	R06.2M	Jet black, matt	powd-c	Y	-	-	10 Piece(s)	384084 <input type="checkbox"/>
	R07.1	Pure white	powd-c	Y	-	-	10 Piece(s)	384095 <input type="checkbox"/>
	R07.2	Traffic white	anod.	Y	-	-	10 Piece(s)	384096 <input type="checkbox"/>
	R00.0	Uncoated	-	N	-	-	10 Piece(s)	814535 <input type="checkbox"/>

Fork for geared-handle → *from page 170*, other fork lengths are available upon request.

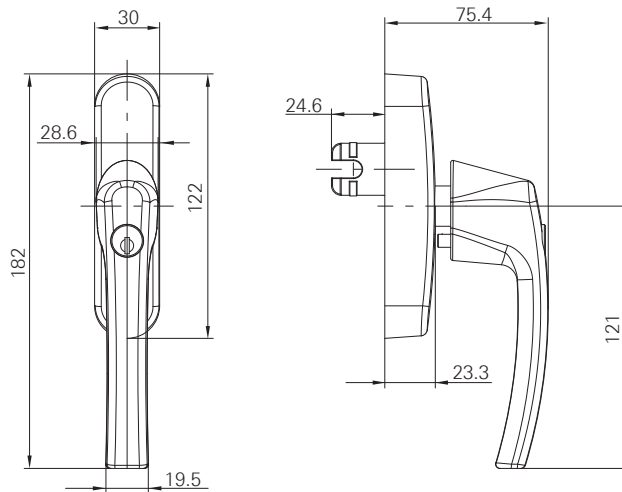
Accessories for geared-handle → *from page 170*.



**INFO**

The uncoated handle is not supplied assembled.

### 5.1.8 Window handles – geared-handle, lockable, 100 Nm



#### Product description

- Lockable handle with tested torque 100 Nm
- Closed by a cylinder with reversible key
- Lock-in position 90°

#### Scope of delivery

- 1 window handle
- 2 keys
- Without fixing screws



#### INFO

Further information on lockable handles → *from page 21.*

								N <sup>o</sup>
26	R01.1	Natural silver	wet p	Y	-	-	10 Piece(s)	384524 <input checked="" type="checkbox"/>
			wet p	N	-	-	10 Piece(s)	384525 <input checked="" type="checkbox"/>
	R01.5	Silver	powd-c	Y	-	-	10 Piece(s)	378843 <input checked="" type="checkbox"/>
	R03.4	Stainless-steel design	Nickel-plated	Y	-	-	10 Piece(s)	335881 <input checked="" type="checkbox"/>
	R05.4	Dark bronze	powd-c	Y	-	-	10 Piece(s)	378917 <input checked="" type="checkbox"/>
	R06.2M	Jet black, matt	powd-c	Y	-	-	10 Piece(s)	378844 <input checked="" type="checkbox"/>
	R06.2	Jet black	powd-c	Y	-	-	10 Piece(s)	385193 <input checked="" type="checkbox"/>
	R07.1	Pure white	powd-c	Y	-	-	10 Piece(s)	378915 <input checked="" type="checkbox"/>
			powd-c	N	-	-	10 Piece(s)	384521 <input checked="" type="checkbox"/>
	R07.2	Traffic white	powd-c	Y	-	-	10 Piece(s)	378916 <input checked="" type="checkbox"/>
SF	Special colour	wet p	Y	-	-	10 Piece(s)	378918 <input checked="" type="checkbox"/>	
		powd-c	N	-	-	10 Piece(s)	384523 <input checked="" type="checkbox"/>	
R00.0	Uncoated	-	N	-	-	10 Piece(s)	238700 <input checked="" type="checkbox"/>	
32	R01.5	Silver	anod.	Y	-	-	10 Piece(s)	384099 <input type="checkbox"/>

Fork for geared-handle → *from page 170*, other fork lengths are available upon request.

Accessories for geared-handle → *from page 170*.

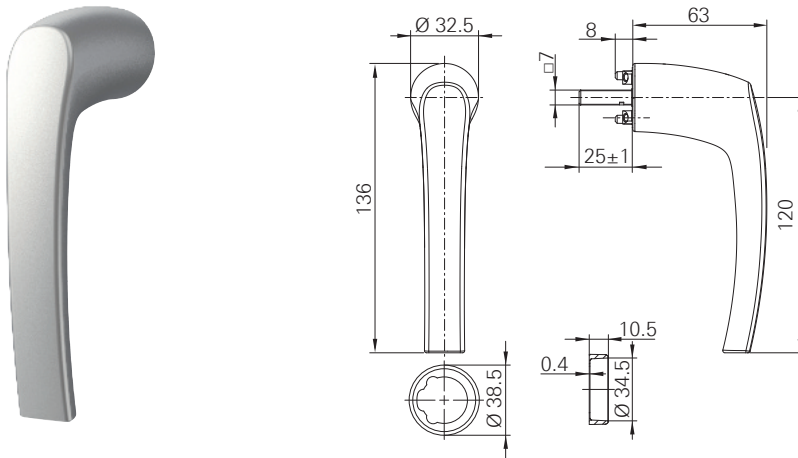


#### INFO

The uncoated handle is not supplied assembled.



### 5.1.9 Window handles – handle without escutcheon



#### Product description

- Basic handle without additional functions
- Can be optionally combined with colour-coordinated ring escutcheon
- Concealed screw fixing
- Lock-in position 90°

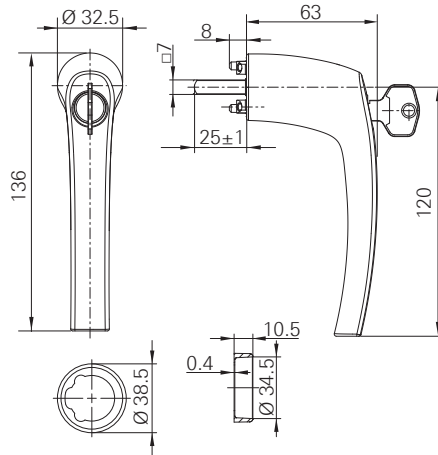
#### Scope of delivery

- 1 window handle
- 2 fixing screws
- 1 transport safety device

25	R01.1	Natural silver	wet p	N	2	M4x12.5	10 Piece(s)	623294 <input type="checkbox"/>
	R01.5	Silver	powd-c	N	2	M4x12.5	10 Piece(s)	377908 <input type="checkbox"/>
	R03.4	Stainless-steel design	met p	N	2	M4x12.5	10 Piece(s)	619288 <input type="checkbox"/>
	R05.4	Dark bronze	anod.	N	2	M4x12.5	10 Piece(s)	377912 <input type="checkbox"/>
	R06.2M	Jet black, matt	powd-c	N	2	M4x12.5	10 Piece(s)	377909 <input type="checkbox"/>
	R07.1	Pure white	powd-c	N	2	M4x12.5	10 Piece(s)	377910 <input type="checkbox"/>
	R07.2	Traffic white	powd-c	N	2	M4x12.5	10 Piece(s)	377911 <input type="checkbox"/>
	SF	Special colour	wet p powd-c	N	2	M4x12.5	10 Piece(s)	377913 <input type="checkbox"/>

Accessories for handle without escutcheon → *from page 116.*

### 5.1.10 Window handles – handle without escutcheon; lockable



#### Product description

- Lockable handle with tested torque 40 Nm
- Closed by a rotary cylinder with reversible key
- Can be unlocked and locked as required
- Can be operated when the handle is unlocked
- Lock-in position 90°

#### Scope of delivery

- 1 window handle
- 1 key
- 2 fixing screws
- 1 transport safety device

25	R01.1	Natural silver	wet p	N	2	M4x12.5	10 Piece(s)	623475 <input type="checkbox"/>
	R01.5	Silver	powd-c	N	2	M4x12.5	10 Piece(s)	377914 <input type="checkbox"/>
	R03.4	Stainless-steel design	anod.	N	2	M4x12.5	10 Piece(s)	619289 <input type="checkbox"/>
	R05.4	Dark bronze	anod.	N	2	M4x12.5	10 Piece(s)	377918 <input type="checkbox"/>
	R06.2	Jet black	powd-c	N	2	M4x12.5	10 Piece(s)	377915 <input type="checkbox"/>
	R07.2	Traffic white	powd-c	N	2	M4x12.5	10 Piece(s)	377917 <input type="checkbox"/>
	SF	Special colour	wet p powd-c	N	2	M4x12.5	10 Piece(s)	377919 <input type="checkbox"/>

Accessories for handle without escutcheon → *from page 116.*



### 5.1.11 Set – handle without escutcheon, ring and mounting plate



#### Product description

- Basic handle without additional functions
- Concealed screw fixing
- Lock-in position 90°
- Aluminium ring escutcheon
- Mounting plate for attaching handles without escutcheon to aluminium profiles

#### Scope of delivery

- 1 window handle
  - 2 fixing screws
  - 1 transport safety device
  - 1 ring
  - 1 mounting plate
- Without fixing screws



						N <sup>o</sup>
R01.1	25	Natural silver	anod.	N	10 Piece(s)	857301 <input type="checkbox"/>
R01.5		Silver	anod.	N	10 Piece(s)	857302 <input type="checkbox"/>
R05.4		Dark bronze	anod.	N	10 Piece(s)	857303 <input type="checkbox"/>
R06.2M		Jet black, matt	powd-c	N	10 Piece(s)	857304 <input type="checkbox"/>
R07.2		Traffic white	powd-c	N	10 Piece(s)	857315 <input type="checkbox"/>

### 5.1.12 Set – handle without escutcheon; lockable, ring and mounting plate





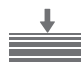



#### Product description

- Lockable handle with tested torque 40 Nm
- Closed by a rotary cylinder with reversible key
- Can be unlocked and locked as required
- Can be operated when the handle is unlocked
- Lock-in position 90°
- Aluminium ring escutcheon
- Mounting plate for attaching handles without escutcheon to aluminium profiles

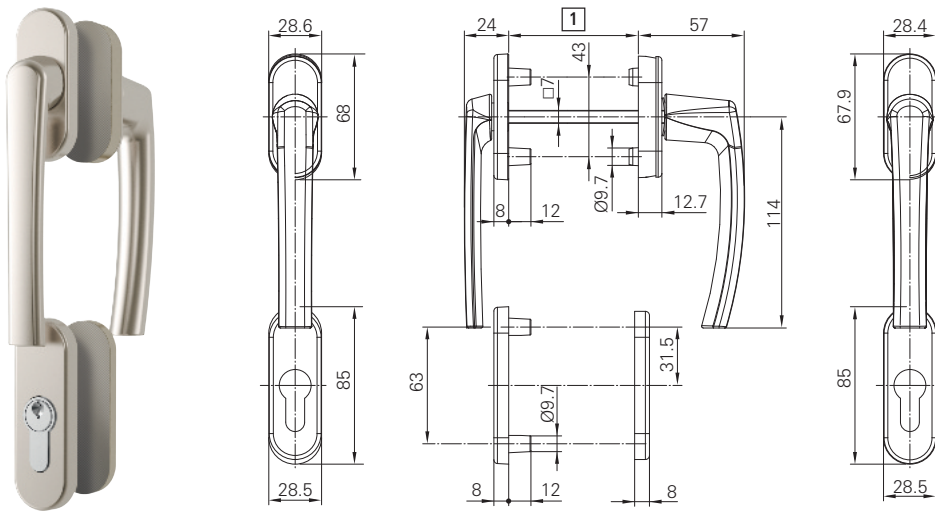
#### Scope of delivery

- 1 window handle
  - 2 fixing screws
  - 1 key
  - 1 transport safety device
  - 1 ring
  - 1 mounting plate
- Without fixing screws

						<b>Nº</b>
25	R01.1	Natural silver	N	anod.	10 Piece(s)	857316 <input type="checkbox"/>
	R01.5	Silver	N	anod.	10 Piece(s)	857317 <input type="checkbox"/>
	R05.4	Dark bronze	N	anod.	10 Piece(s)	857320 <input type="checkbox"/>
	R06.2M	Jet black, matt	N	powd-c	10 Piece(s)	857318 <input type="checkbox"/>
	R07.2	Traffic white	N	powd-c	10 Piece(s)	857319 <input type="checkbox"/>



### 5.1.13 Balcony door handles – escutcheon with flat handle on the outside and escutcheon with handle on the inside



[1] Door leaf thickness depending on spindle length:

Spindle length 100 mm = 48 to 83 mm

Spindle length 127 mm = 52 to 110 mm



#### Product description

- Handle set with escutcheon version
- Outside: handle securely pinned
- Outside: flat handle with profile cylinder escutcheon
- Inside: standard handle with profile cylinder escutcheon
- Concealed screw fixing
- 90° lock-in position
- Ten-year performance warranty

#### Scope of delivery

- 2 window handles (flat handle, standard handle)
- 2 profile cylinder escutcheons
- 4 fixing screws, can be shortened



#### INFO










Profile cylinder is not included in the scope of delivery.

100	R01.1	Natural silver	anod.	Y	4	M5x100	1 Piece(s)	228302 <input checked="" type="checkbox"/>
			anod.	N	4	M5x100	1 Piece(s)	228390 <input type="checkbox"/>
	R01.3	Titanium	anod.	Y	4	M5x100	1 Piece(s)	228245 <input checked="" type="checkbox"/>
			anod.	N	4	M5x100	1 Piece(s)	228345 <input type="checkbox"/>
	R04.1	Grey brown	powd-c	N	4	M5x100	1 Piece(s)	228347 <input type="checkbox"/>
	R05.3	Medium bronze	anod.	Y	4	M5x100	1 Piece(s)	228305 <input checked="" type="checkbox"/>
			anod.	N	4	M5x100	1 Piece(s)	228393 <input type="checkbox"/>
	R05.5	Bronze	anod.	Y	4	M5x100	1 Piece(s)	228306 <input checked="" type="checkbox"/>
			anod.	N	4	M5x100	1 Piece(s)	228394 <input type="checkbox"/>
	R07.2	Traffic white	powd-c	Y	4	M5x100	1 Piece(s)	228249 <input checked="" type="checkbox"/>
powd-c			N	4	M5x100	1 Piece(s)	228349 <input type="checkbox"/>	

## Roto Patio Fold

### Roto Line

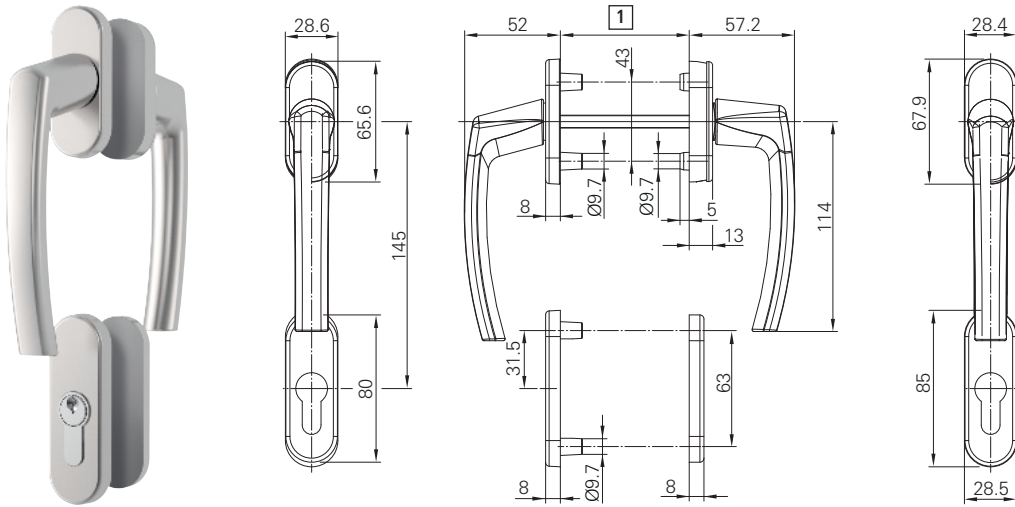
Balcony door handles – escutcheon with flat handle on the outside and escutcheon with handle on the inside

								
127	R01.1	Natural silver	anod.	N	4	M5x110	1 Piece(s)	601712 <input type="checkbox"/>
	R01.3	Titanium	anod.	N	4	M5x110	1 Piece(s)	601714 <input type="checkbox"/>
	R06.2M	Jet black, matt	powd-c	N	4	M5x110	1 Piece(s)	794354 <input type="checkbox"/>
	R07.2	Traffic white	powd-c	N	4	M5x110	1 Piece(s)	601729 <input type="checkbox"/>





### 5.1.14 Balcony door handles – outside and inside escutcheon with handle



#### Product description

- Handle set with escutcheon version
- Outside: handle securely pinned
- Outside and inside: standard handle with profile cylinder escutcheon
- Concealed screw fixing
- Lock-in position 90°
- Ten-year performance warranty

#### Scope of delivery

- 2 window handles
- 2 profile cylinder escutcheons
- 4 fixing screws, can be shortened



#### INFO

Profile cylinder is not included in the scope of delivery.











#### INFO

A flush-encased gearbox is required for use in aluminium profiles → *from page 169.*

## Roto Patio Fold

### Roto Line

Balcony door handles – outside and inside escutcheon with handle

								Nº
100	R01.1	Natural silver	anod.	Y	4	M5x100	1 Piece(s)	228292 <input checked="" type="checkbox"/>
			anod.	N	4	M5x100	1 Piece(s)	228380 <input type="checkbox"/>
	R01.2	Nickel silver	anod.	Y	4	M5x100	1 Piece(s)	228293 <input type="checkbox"/>
			anod.	N	4	M5x100	1 Piece(s)	228381 <input type="checkbox"/>
	R01.3	Titanium	anod.	Y	4	M5x100	1 Piece(s)	228233 <input checked="" type="checkbox"/>
			anod.	N	4	M5x100	1 Piece(s)	228333 <input type="checkbox"/>
	R03.1	Brass matt	anod.	Y	4	M5x100	1 Piece(s)	228294 <input checked="" type="checkbox"/>
			anod.	N	4	M5x100	1 Piece(s)	228382 <input type="checkbox"/>
	R04.1	Grey brown	powd-c	Y	4	M5x100	1 Piece(s)	228235 <input checked="" type="checkbox"/>
			powd-c	N	4	M5x100	1 Piece(s)	228335 <input type="checkbox"/>
	R05.3	Medium bronze	anod.	Y	4	M5x100	1 Piece(s)	228295 <input checked="" type="checkbox"/>
			anod.	N	4	M5x100	1 Piece(s)	228383 <input type="checkbox"/>
	R05.5	Bronze	anod.	Y	4	M5x100	1 Piece(s)	228296 <input checked="" type="checkbox"/>
			anod.	N	4	M5x100	1 Piece(s)	228384 <input type="checkbox"/>
	R06.2M	Jet black, matt	powd-c	N	4	M5x100	1 Piece(s)	794348 <input type="checkbox"/>
	R07.1	Pure white	powd-c	Y	4	M5x100	1 Piece(s)	228236 <input type="checkbox"/>
powd-c			N	4	M5x100	1 Piece(s)	228336 <input type="checkbox"/>	
R07.2	Traffic white	powd-c	Y	4	M5x100	1 Piece(s)	228237 <input checked="" type="checkbox"/>	
		powd-c	N	4	M5x100	1 Piece(s)	228337 <input type="checkbox"/>	
127	R01.1	Natural silver	anod.	N	4	M5x110	1 Piece(s)	601694 <input type="checkbox"/>
	R01.3	Titanium	anod.	N	4	M5x110	1 Piece(s)	601706 <input type="checkbox"/>
	R07.2	Traffic white	powd-c	N	4	M5x110	1 Piece(s)	601711 <input type="checkbox"/>



## 5.1.15 Accessories

### 5.1.15.1 Flush-encased gearbox

#### 5.1.15.1.1 Flush-encased gearbox without mishandling device



#### Product description

- Flush-encased gearbox without additional functions
- Lock-in position 90°

#### Scope of delivery

- 1 flush-encased gearbox
- Without window handle

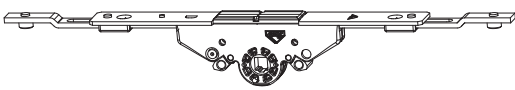


#### INFO

All Roto handles with square spindle can be used.

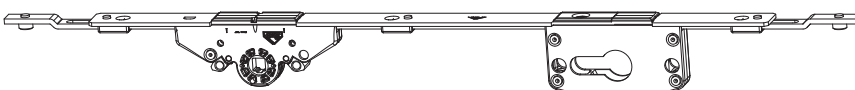
Flush-encased gearbox without mishandling device	24 mm	Coupling point, 10 mm	10 Piece(s)	378338

#### 5.1.15.1.2 Flush-encased gearbox



30	280	1 Piece(s)	625431
35	280	1 Piece(s)	625432
40	280	1 Piece(s)	625433

#### 5.1.15.1.3 Flush-encased gearbox



25	475	1 Piece(s)	625438

			Nº
30	475	1 Piece(s)	625439
35	475	1 Piece(s)	625440
40	475	1 Piece(s)	625441

## 5.1.15.2 Geared-handle

### 5.1.15.2.1 T connector set



#### Product description

- Connector set for attaching geared-handles
- Predetermined breaking point to enable the installation of two main corner drives on the central locking system

#### Scope of delivery

- 1 T connector
- 2 fixing screws



#### INFO

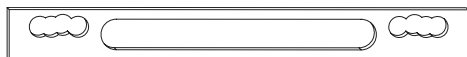
All Roto Line geared-handles can be used.

→ 3.1.5 "Window handles – geared-handle" from page 100

→ 3.1.6 "Window handles – geared-handle, lockable, 100 Nm" from page 101

					Nº
AL T connector set	Coupling point, 10 mm	2	M5x12	10 Piece(s)	728981

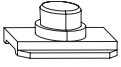
### 5.1.15.2.2 Espagnolette support







				Nº
Espagnolette support	For Roto Line AL geared-handle	13.5	100 Piece(s)	331937



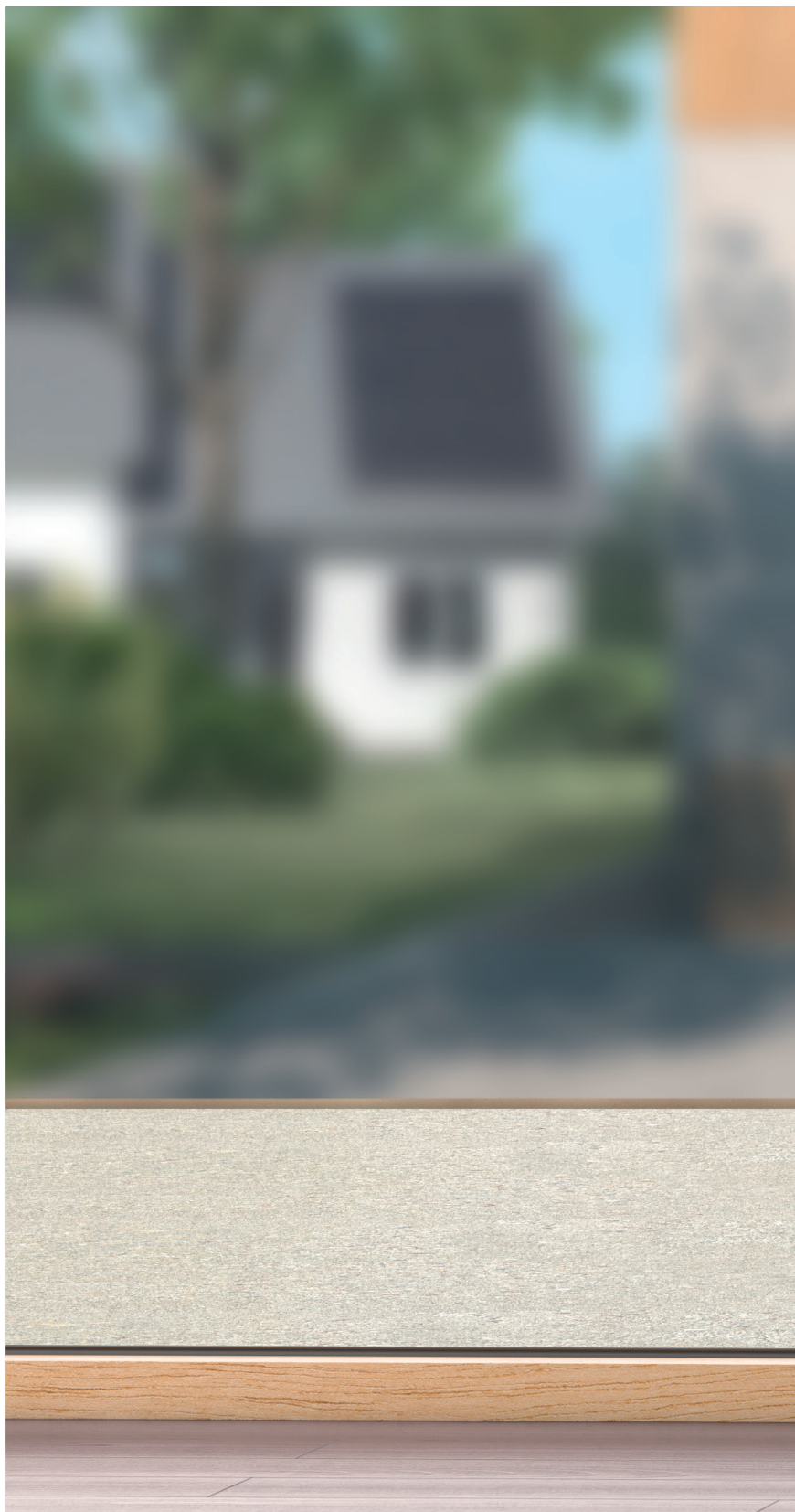
### 5.1.15.2.3 Connector bolt, insertable



			Nº
Insertable connector bolt	For Roto Line AL geared-handle	100 Piece(s)	254601 



## Roto Patio Life







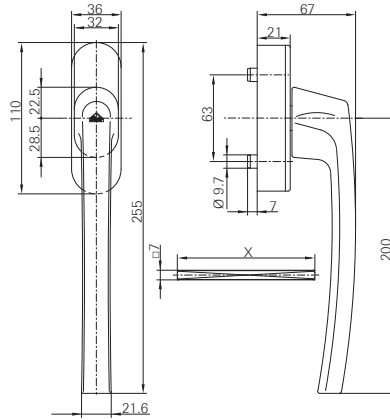
Roto Line

Sliding door handles – standard	176
Sliding door handles – lockable, 40 Nm	177
Sliding door handles – external escutcheon with handle	178
Sliding door handles – external recessed grip	179
Accessories	180

## 6 Roto Patio Life

### 6.1 Roto Line

#### 6.1.1 Sliding door handles – standard



#### Product description

- Basic handle without additional functions
- Lock-in position 90°
- 10-year performance warranty

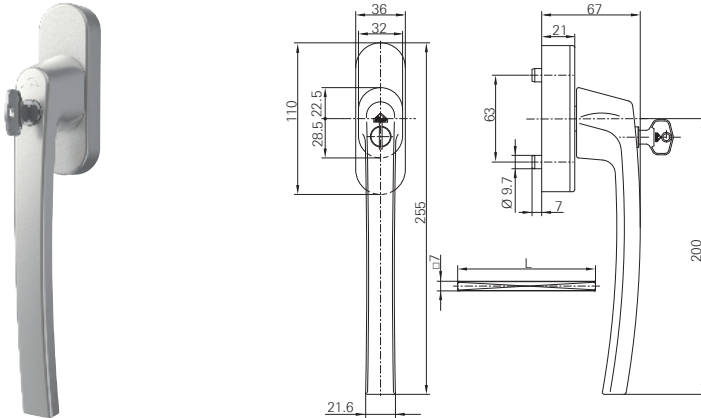
#### Scope of delivery

- 1 sliding door handle
- 1 square spindle
- 2 fixing screws

									Nº
100	R01.1	Natural silver	anod.	Y	2	M5x100	1 Piece(s)	494447	
	R01.3	Titanium	anod.	Y	2	M5x100	1 Piece(s)	640344	
	R05.3	Medium bronze	anod.	Y	2	M5x100	1 Piece(s)	494448	
	R07.2	Traffic white	powd-c	Y	2	M5x100	1 Piece(s)	494449	
150	R01.1	Natural silver	anod.	Y	2	M5x110	1 Piece(s)	603596	
	R05.3	Medium bronze	anod.	Y	2	M5x110	1 Piece(s)	603597	
	R05.5	Bronze	anod.	Y	2	M5x110	1 Piece(s)	614576	
	R07.2	Traffic white	powd-c	Y	2	M5x110	1 Piece(s)	603598	



## 6.1.2 Sliding door handles – lockable, 40 Nm












### Product description

- Lockable handle with tested torque 40 Nm (basic security)
- Closed by a rotary cylinder with reversible key
- Can be unlocked and locked as required
- Can be operated when the handle is unlocked
- Lock-in position 90°
- 10-year performance warranty

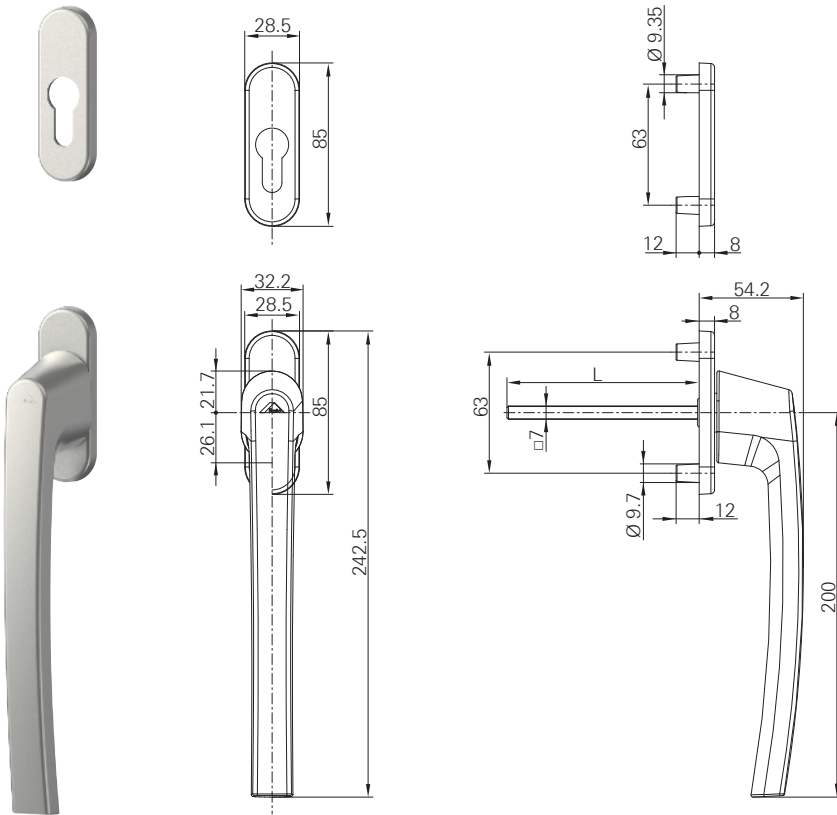
### Scope of delivery

- 1 sliding door handle
- 1 square spindle
- 1 key
- 2 fixing screws, can be shortened



									
100	R01.1	Natural silver	anod.	Y	2	M5x100	1 Piece(s)	494450	
	R01.3	Titanium	anod.	Y	2	M5x100	1 Piece(s)	614247	
	R05.3	Medium bronze	anod.	Y	2	M5x100	1 Piece(s)	494451	
	R07.2	Traffic white	powd-c	Y	2	M5x100	1 Piece(s)	494452	
150	R01.1	Natural silver	anod.	Y	2	M5x110	1 Piece(s)	603599	
	R05.3	Medium bronze	anod.	Y	2	M5x110	1 Piece(s)	603600	
	R05.5	Bronze	anod.	Y	2	M5x110	1 Piece(s)	614577	
	R07.2	Traffic white	powd-c	Y	2	M5x110	1 Piece(s)	603601	

### 6.1.3 Sliding door handles – external escutcheon with handle












#### Product description

- Basic handle without additional functions
- Screws, can be shortened
- 10-year performance warranty

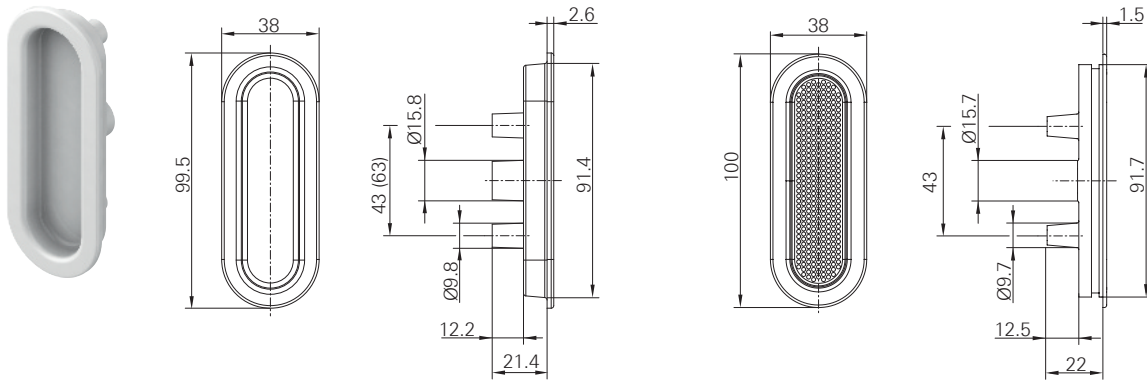
#### Scope of delivery

- 1 sliding door handle
- 1 profile cylinder escutcheon
- 2 fixing screws, can be shortened

								
100	R01.1	Natural silver	anod.	Y	2	M5x100	10 Piece(s)	494453 <input type="checkbox"/>
	R01.3	Titanium	anod.	Y	2	M5x100	10 Piece(s)	734005 <input type="checkbox"/>
	R05.3	Medium bronze	anod.	Y	2	M5x100	10 Piece(s)	494454 <input type="checkbox"/>
	R07.2	Traffic white	powd-c	Y	2	M5x100	10 Piece(s)	494465 <input type="checkbox"/>
150	R01.1	Natural silver	anod.	Y	2	M5x110	10 Piece(s)	603602 <input type="checkbox"/>



### 6.1.4 Sliding door handles – external recessed grip



#### Product description

- Can be routed in
- 10-year performance warranty

#### Scope of delivery

- 1 recessed grip




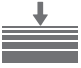






#### Standard recessed grip

								N <sup>o</sup>
43	R01.1	Natural silver	anod.	N	-	-	10 Piece(s)	494472 <input checked="" type="checkbox"/>
	R01.3	Titanium	anod.	N	-	-	10 Piece(s)	623221 <input checked="" type="checkbox"/>
	R05.3	Medium bronze	anod.	N	-	-	10 Piece(s)	494473 <input checked="" type="checkbox"/>
	R05.5	Bronze	anod.	N	-	-	10 Piece(s)	614625 <input checked="" type="checkbox"/>
	R07.2	Traffic white	powd-c	N	-	-	10 Piece(s)	494474 <input checked="" type="checkbox"/>
63	R01.1	Natural silver	anod.	N	-	-	10 Piece(s)	494469 <input checked="" type="checkbox"/>
	R01.3	Titanium	anod.	N	-	-	10 Piece(s)	623261 <input checked="" type="checkbox"/>
	R05.3	Medium bronze	anod.	N	-	-	10 Piece(s)	494470 <input checked="" type="checkbox"/>
	R05.5	Bronze	anod.	N	-	-	10 Piece(s)	614626 <input checked="" type="checkbox"/>
	R07.2	Traffic white	powd-c	N	-	-	10 Piece(s)	494471 <input checked="" type="checkbox"/>

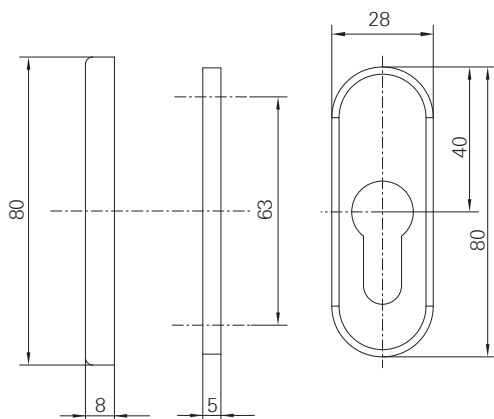
#### Deep recessed grip

								N <sup>o</sup>
43	R01.1	Natural silver	anod.	N	-	-	10 Piece(s)	820028 <input type="checkbox"/>
	R01.2	Nickel silver	anod.	N	-	-	10 Piece(s)	820029 <input type="checkbox"/>
	R01.3	Titanium	anod.	N	-	-	10 Piece(s)	820030 <input type="checkbox"/>
	R01.5	Silver	powd-c	N	-	-	10 Piece(s)	820031 <input type="checkbox"/>
	R02.2	Anthracite grey	powd-c	N	-	-	10 Piece(s)	820032 <input type="checkbox"/>
	R05.3	Medium bronze	anod.	N	-	-	10 Piece(s)	820033 <input type="checkbox"/>
	R05.4	Dark bronze	powd-c	N	-	-	10 Piece(s)	820034 <input type="checkbox"/>
	R05.5	Bronze	anod.	N	-	-	10 Piece(s)	820055 <input type="checkbox"/>
	R06.2M	Jet black, matt	powd-c	N	-	-	10 Piece(s)	820070 <input type="checkbox"/>
	R07.2	Traffic white	powd-c	N	-	-	10 Piece(s)	820057 <input type="checkbox"/>
	R07.3	Cream	powd-c	N	-	-	10 Piece(s)	820058 <input type="checkbox"/>
	R00.0	Uncoated	-	N	-	-	10 Piece(s)	820059 <input type="checkbox"/>

								Nº
63	R01.1	Natural silver	anod.	N	-	-	10 Piece(s)	623550 <input type="checkbox"/>
	R05.3	Medium bronze	anod.	N	-	-	10 Piece(s)	623551 <input type="checkbox"/>
	R07.2	Traffic white	powd-c	N	-	-	10 Piece(s)	623552 <input type="checkbox"/>
	R00.0	Uncoated	-	N	-	-	10 Piece(s)	627912 <input type="checkbox"/>

## 6.1.5 Accessories

### 6.1.5.1 Inside escutcheon cover




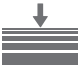






#### Product description

- Profile cylinder escutcheon cover inside
- 10-year functional warranty

#### Scope of delivery

- 1 profile cylinder escutcheon cover

								Nº
43	R01.1	Natural silver	anod.	N	-	-	10 Piece(s)	494466 <input type="checkbox"/>
	R01.3	Titanium	anod.	N	-	-	10 Piece(s)	228260 <input type="checkbox"/>
	R05.3	Medium bronze	anod.	N	-	-	10 Piece(s)	494467 <input type="checkbox"/>
	R07.2	Traffic white	powd-c	N	-	-	10 Piece(s)	258952 <input type="checkbox"/>



## Roto Patio Lift







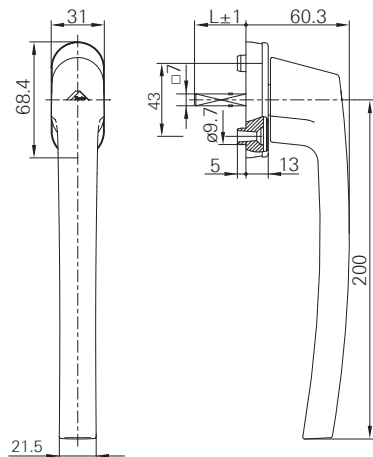
**Roto Line**

Sliding door handles – interior handles; 200 mm	186
Sliding door handles – interior handles; 200 mm – push-to-open	187
Handle set with escutcheon version; 200 mm	188
Recessed grip; oval 16 mm	189
Combination without square spindle, with screws	190
Combination with square spindle and screws	195

## 7 Roto Patio Lift

### 7.1 Roto Line

#### 7.1.1 Sliding door handles – interior handles; 200 mm












#### Product description

- Basic handle without additional functions
- Lock-in position 180°
- Ten-year performance warranty
- Classification in accordance with DIN EN 13126-3

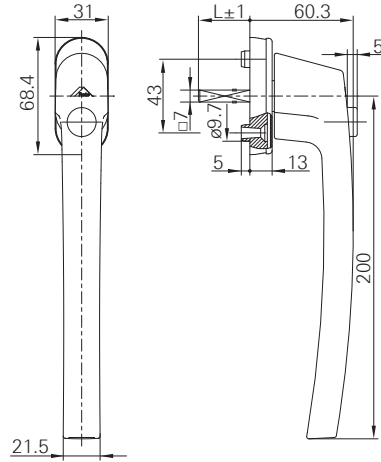
#### Scope of delivery

- 1 handle
- 2 fixing screws, can be shortened

								
43	R01.1	Natural silver	anod.	Y	2	M5x50	1 Piece(s)	799005 <input type="checkbox"/>
	R06.2M	Jet black, matt	powd-c	Y	2	M5x50	1 Piece(s)	798990 <input type="checkbox"/>
	R07.2	Traffic white	powd-c	Y	2	M5x50	1 Piece(s)	798991 <input type="checkbox"/>



### 7.1.2 Sliding door handles – interior handles; 200 mm – push-to-open



**Product description**

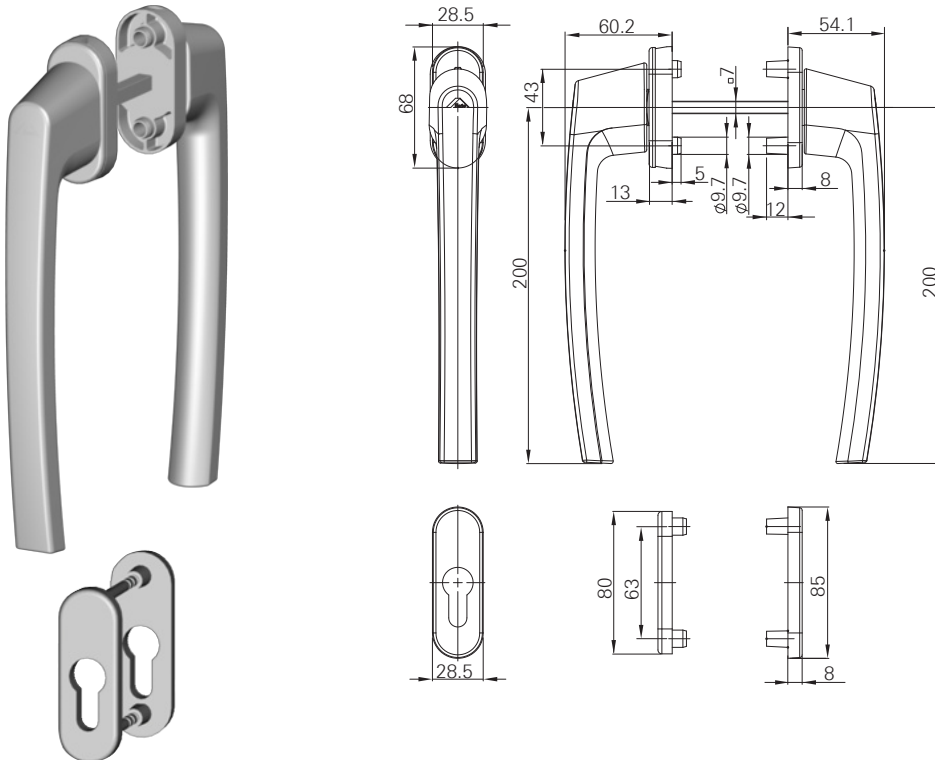
- Window handle with push-to-open mechanism
- The push function makes locking and unlocking possible
- Lock-in position 180°
- Ten-year performance warranty
- Classification in accordance with DIN EN 13126-3

**Scope of delivery**

- 1 handle
- 2 fixing screws, can be shortened

43	R01.1	Natural silver	powd-c	Y	2	M5x50	1 Piece(s)	798992 <input type="checkbox"/>
	R06.2M	Jet black, matt	powd-c	Y	2	M5x50	1 Piece(s)	798993 <input type="checkbox"/>
	R07.2	Traffic white	powd-c	Y	2	M5x50	1 Piece(s)	798994 <input type="checkbox"/>

### 7.1.3 Handle set with escutcheon version; 200 mm



#### Product description

- Outside: standard handle securely pinned with profile cylinder escutcheon
- Inside: standard handle with profile cylinder escutcheon
- Handle length 200 mm
- Door leaf thickness: 78 - 98 mm
- Concealed screw fixing
- Lock-in position 90°
- Ten-year performance warranty

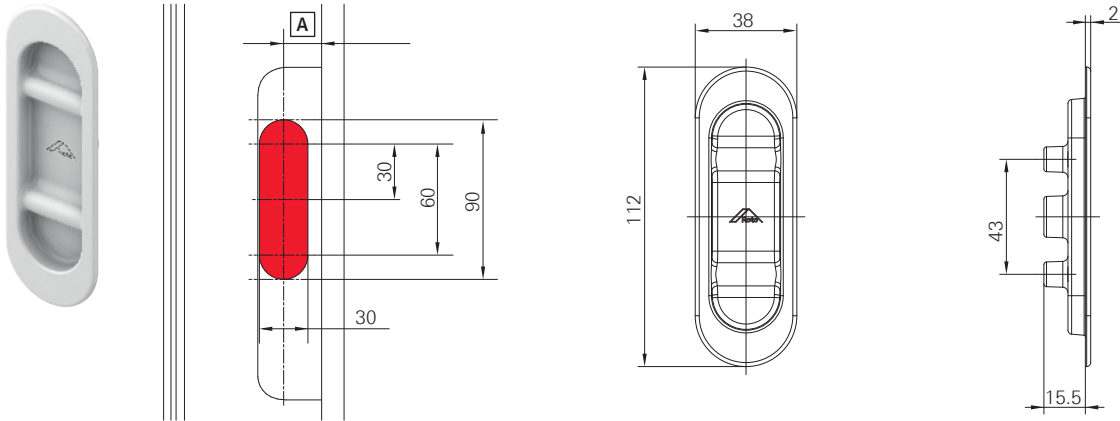
#### Scope of delivery

- 2 handles
- 2 profile cylinder escutcheons
- 4 fixing screws, can be shortened

135	R01.1	Natural silver	anod.	Y	4	M5x110	1 Piece(s)	838659 <input type="checkbox"/>
	R06.2M	Jet black, matt	powd-c	Y	4	M5x110	1 Piece(s)	838658 <input type="checkbox"/>
	R07.2	Traffic white	powd-c	Y	4	M5x110	1 Piece(s)	838657 <input type="checkbox"/>



### 7.1.4 Recessed grip; oval 16 mm



Assignment	Meaning
[A]	Backset



#### Product description

- Exterior handle
- Screw fixing with interior handle

#### Scope of delivery

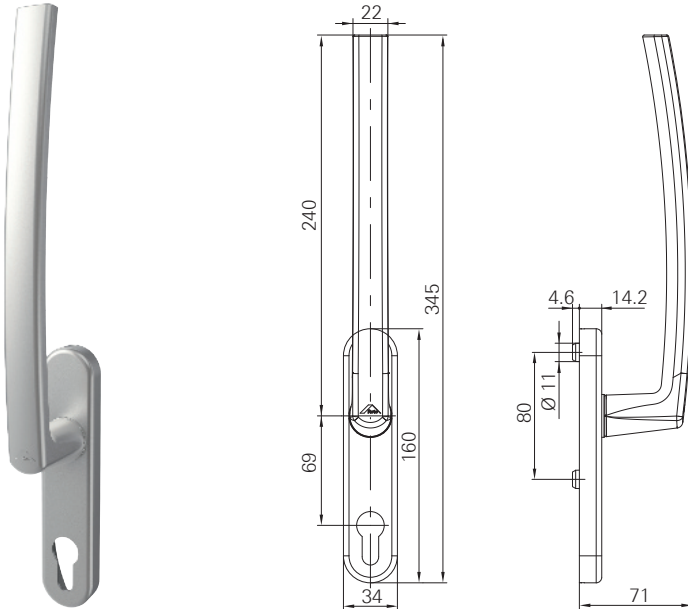
- 1 recessed grip
- Without fixing screws



							Nº
R01.5	Silver	powd-c	Y	-	-	1 Piece(s)	613183 <input type="checkbox"/>
R06.2	Jet black	powd-c	Y	-	-	1 Piece(s)	605551 <input type="checkbox"/>
R07.2	Traffic white	powd-c	Y	-	-	1 Piece(s)	605543 <input type="checkbox"/>

## 7.1.5 Combination without square spindle, with screws

### 7.1.5.1 Lift&Slide door handles – interior handle; 240 mm



#### Product description

- Basic handle without additional functions
- Long handle lever
- With and without profile cylinder hole
- 180° lock-in position

#### Scope of delivery

- 1 handle
- 2 fixing screws, can be shortened



#### INFO

Profile cylinder is not included in the scope of delivery.

#### With profile cylinder hole

-	R01.1	Natural silver	anod.	Y	2	M5x110	1 Piece(s)	856570 <input type="checkbox"/>
	R05.3	Bronze	anod.	Y	2	M5x110	1 Piece(s)	856572 <input type="checkbox"/>
	R06.2	Jet black	powd-c	Y	2	M5x110	1 Piece(s)	856571 <input type="checkbox"/>
	R07.2	Traffic white	powd-c	Y	2	M5x110	1 Piece(s)	856564 <input type="checkbox"/>

#### Without profile cylinder hole

-	R01.1	Natural silver	anod.	Y	2	M5x110	1 Piece(s)	849598 <input type="checkbox"/>
	R05.3	Bronze	anod.	Y	2	M5x110	1 Piece(s)	850455 <input type="checkbox"/>
	R06.2	Jet black	powd-c	Y	2	M5x110	1 Piece(s)	850055 <input type="checkbox"/>
	R07.2	Traffic white	powd-c	Y	2	M5x110	1 Piece(s)	849089 <input type="checkbox"/>

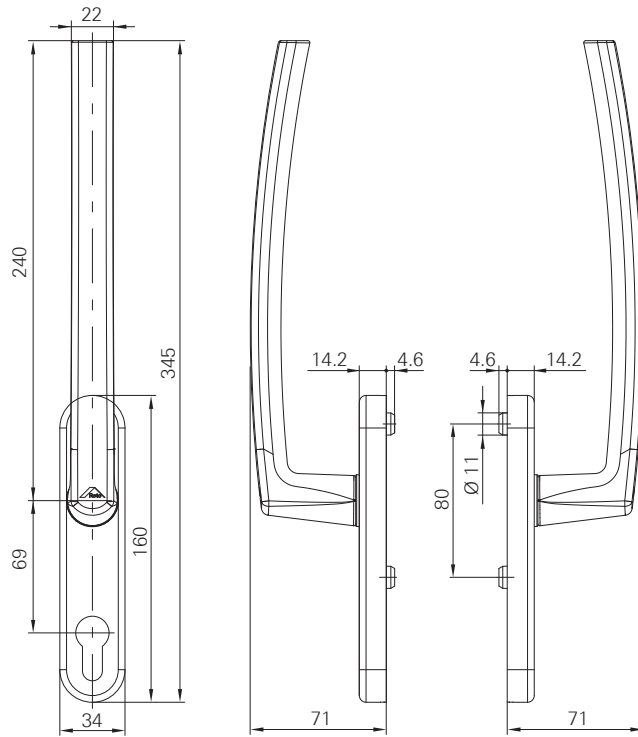


**INFO**

Special colours available upon request. Comes assembled.



**7.1.5.2 Handle set; 240 mm**



**Product description**

- Exterior handle with profile cylinder hole
- Interior handle with profile cylinder hole
- Handle length 240 mm
- Concealed screw fixing
- 180° lock-in position
- Ten-year performance warranty

**Scope of delivery**

- 2 handles
- 2 fixing screws, can be shortened



**INFO**

Profile cylinder is not included in the scope of delivery.

-	R01.1	Natural silver	anod.	Y	2	M5x110	1 Piece(s)	856580 <input type="checkbox"/>
	R05.3	Bronze	anod.	Y	2	M5x110	1 Piece(s)	856582 <input type="checkbox"/>
	R06.2	Jet black	powd-c	Y	2	M5x110	1 Piece(s)	856581 <input type="checkbox"/>
	R07.2	Traffic white	powd-c	Y	2	M5x110	1 Piece(s)	856574 <input type="checkbox"/>

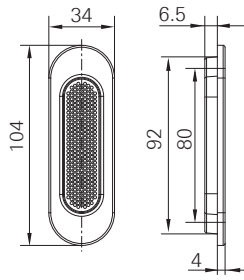


**INFO**

Special colours available upon request. Comes assembled.



**7.1.5.3 Lift&Slide door handles – external recessed grip; oval 7 mm**



**Product description**

- Exterior handle
- Screw fixing with interior handle

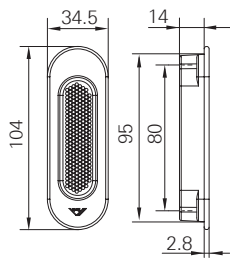
**Scope of delivery**

- 1 recessed grip

							Nº
R01.1	Natural silver	anod.	N	-	-	10 Piece(s)	2005168 <input type="checkbox"/>
R01.3	Titanium	anod.	N	-	-	10 Piece(s)	896726 <input type="checkbox"/>
R05.3	Medium bronze	anod.	N	-	-	10 Piece(s)	2005176 <input type="checkbox"/>
R06.2M	Jet black, matt	powd-c	N	-	-	10 Piece(s)	2005174 <input type="checkbox"/>
R07.2	Traffic white	powd-c	N	-	-	10 Piece(s)	2005175 <input type="checkbox"/>
R07.3	Cream	powd-c	N	-	-	10 Piece(s)	896728 <input type="checkbox"/>
R00.0	Untreated	-	N	-	-	10 Piece(s)	2005177 <input type="checkbox"/>



**7.1.5.4 Lift&Slide door handles – external recessed grip; oval 14 mm**



**Product description**

- Exterior handle
- Screw fixing with interior handle
- for handle 300

**Scope of delivery**

- 1 recessed grip
- Without fixing screws

							Nº
R05.3	Bronze	powd-c	Y	-	-	1 Piece(s)	737869 <input type="checkbox"/>
R06.2	Jet black	powd-c	Y	-	-	1 Piece(s)	642880 <input type="checkbox"/>
R07.2	Traffic white	powd-c	Y	-	-	1 Piece(s)	642881 <input type="checkbox"/>

## Roto Patio Lift

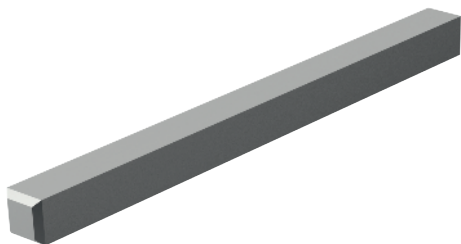
### Roto Line

Combination without square spindle, with screws

							Nº
-	Silver	powd-c	Y	-	-	1 Piece(s)	642882 <input type="checkbox"/>

#### 7.1.5.5 Accessories

##### 7.1.5.5.1 Square spindle





#### Product description

- Notches on one side for force-fitting installation on the handle

#### Scope of delivery

- 1 square spindle

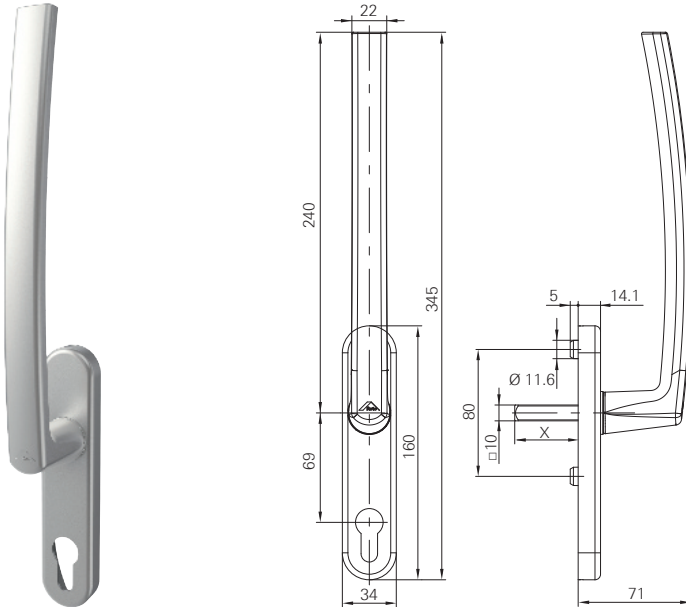
#### 10 x 10

		Nº
	80	644120 <input type="checkbox"/>
	140	769897 <input type="checkbox"/>
	150	644121 <input type="checkbox"/>
	155	769898 <input type="checkbox"/>



## 7.1.6 Combination with square spindle and screws

### 7.1.6.1 Lift&Slide door handles – interior handle; 240 mm



#### Product description

- Basic handle without additional functions
- Long handle lever
- With and without profile cylinder hole
- 180° lock-in position

#### Scope of delivery

- 1 handle
- 2 fixing screws, can be shortened



#### INFO

Profile cylinder is not included in the scope of delivery.

#### With profile cylinder hole









40		R01.1	Natural silver	anod.	Y	2	M5x110	1 Piece(s)	635141 <input type="checkbox"/>
		R06.2M	Jet black, matt	powd-c	Y	2	M5x110	1 Piece(s)	635140 <input type="checkbox"/>
		R07.2	Traffic white	powd-c	Y	2	M5x110	1 Piece(s)	635139 <input type="checkbox"/>
		R00.0	Uncoated	-	N	2	M5x110	1 Piece(s)	635143 <input type="checkbox"/>
150		R01.3	Titanium	anod.	Y	2	M5x110	1 Piece(s)	896714 <input type="checkbox"/>
		R05.3	Medium bronze	anod.	Y	2	M5x110	1 Piece(s)	896720 <input type="checkbox"/>
		R07.3	Cream	powd-c	Y	2	M5x110	1 Piece(s)	896721 <input type="checkbox"/>



#### INFO

The uncoated handle is not supplied assembled.

**Without profile cylinder hole**

								Nº
40	R01.1	Natural silver	anod.	Y	2	M5x110	1 Piece(s)	635146 <input checked="" type="checkbox"/>
	R06.2M	Jet black, matt	powd-c	Y	2	M5x110	1 Piece(s)	635145 <input checked="" type="checkbox"/>
	R07.2	Traffic white	powd-c	Y	2	M5x110	1 Piece(s)	635144 <input checked="" type="checkbox"/>
	R00.0	Uncoated	-	N	2	M5x110	1 Piece(s)	635148 <input checked="" type="checkbox"/>
150	R05.3	Medium bronze	anod.	Y	2	M5x110	1 Piece(s)	896712 <input type="checkbox"/>
	R07.3	Cream	powd-c	Y	2	M5x110	1 Piece(s)	896713 <input type="checkbox"/>



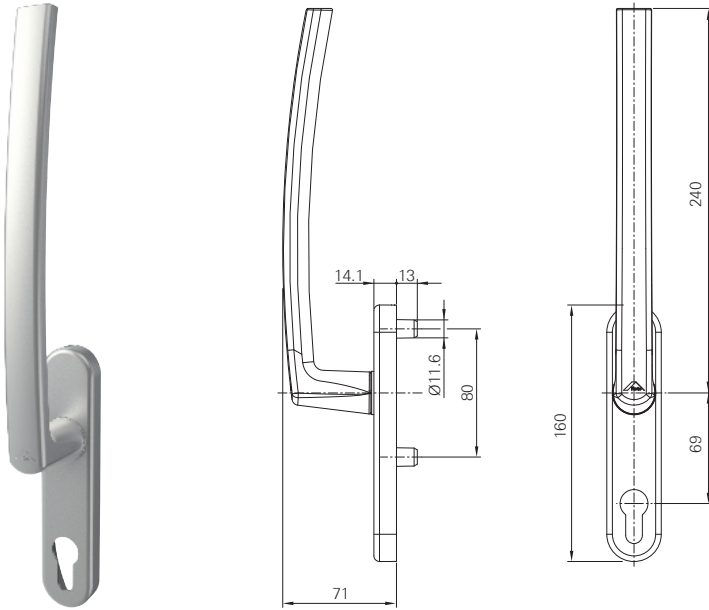
**INFO**

The uncoated handle is not supplied assembled.





7.1.6.2 Lift&Slide door handles – exterior handle; 240 mm



Product description

- Basic handle without additional functions
- 180° lock-in position
- Ten-year performance warranty

Scope of delivery

- 1 handle
- Without fixing screws



INFO

Profile cylinder is not included in the scope of delivery.

With profile cylinder hole

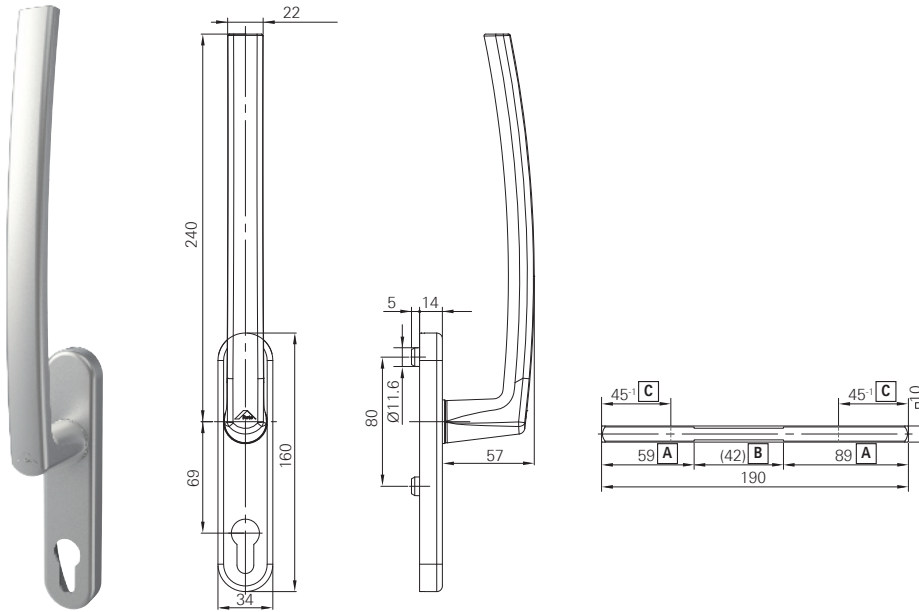
-	R01.1	Natural silver	anod.	Y	-	-	10 Piece(s)	635136 <input checked="" type="checkbox"/>
	R01.3	Titanium	anod.	Y	-	-	10 Piece(s)	896722 <input type="checkbox"/>
	R05.3	Medium bronze	anod.	Y	-	-	10 Piece(s)	896723 <input type="checkbox"/>
	R06.2M	Jet black, matt	powd-c	Y	-	-	10 Piece(s)	635135 <input checked="" type="checkbox"/>
	R07.2	Traffic white	powd-c	Y	-	-	10 Piece(s)	635134 <input checked="" type="checkbox"/>
	R07.3	Cream	powd-c	Y	-	-	10 Piece(s)	896724 <input type="checkbox"/>
	R00.0	Uncoated	-	N	-	-	10 Piece(s)	635138 <input checked="" type="checkbox"/>



INFO

The uncoated handle is not supplied assembled.

**7.1.6.3 Lift&Slide door handles – interior handle; 240 mm**



**Additional details for uncoated handle**

[A] Can be shortened to up to 45 mm.

[B] Espagnolette must be positioned in this area.

[C] Square spindle engagement length in the handle set. Secure the square spindle in the handles with grub screws (torque: 4.0 – 5.0 Nm).



**Product description**

- Basic handle without additional functions
- Long handle lever
- Can only be used with exterior handle
- Lock-in position 180°

**Scope of delivery**

- 1 handle
- 1 square spindle, can be shortened
- 2 fixing screws, can be shortened



**INFO**

Profile cylinder is not included in the scope of delivery.



**INFO**

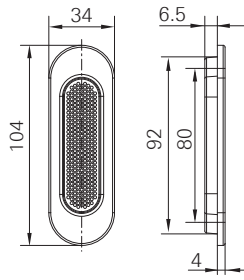
The uncoated handle is not supplied assembled.

**With profile cylinder hole**

150	R01.1	Natural silver	anod.	Y	2	M5x110	1 Piece(s)	635131	▣
150	R06.2M	Jet black, matt	powd-c	Y	2	M5x110	1 Piece(s)	635130	▣
150	R07.2	Traffic white	powd-c	Y	2	M5x110	1 Piece(s)	635129	▣
150	R00.0	Uncoated	-	N	2	M5x110	1 Piece(s)	635133	▣



**7.1.6.4 Lift&Slide door handles – external recessed grip; oval 7 mm**



**Product description**

- Exterior handle
- Screw fixing with interior handle

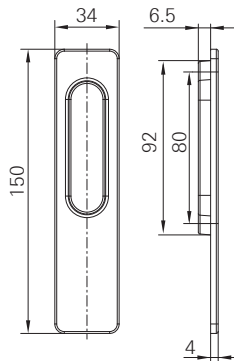
**Scope of delivery**

- 1 recessed grip

							Nº
R01.1	Natural silver	anod.	N	-	-	10 Piece(s)	2005168 <input type="checkbox"/>
R01.3	Titanium	anod.	N	-	-	10 Piece(s)	896726 <input type="checkbox"/>
R05.3	Medium bronze	anod.	N	-	-	10 Piece(s)	2005176 <input type="checkbox"/>
R06.2M	Jet black, matt	powd-c	N	-	-	10 Piece(s)	2005174 <input type="checkbox"/>
R07.2	Traffic white	powd-c	N	-	-	10 Piece(s)	2005175 <input type="checkbox"/>
R07.3	Cream	powd-c	N	-	-	10 Piece(s)	896728 <input type="checkbox"/>
R00.0	Untreated	-	N	-	-	10 Piece(s)	2005177 <input type="checkbox"/>



**7.1.6.5 Lift&Slide door handles – external recessed grip; rectangular 7 mm**










**Product description**

- Exterior handle
- Screw fixing with interior handle

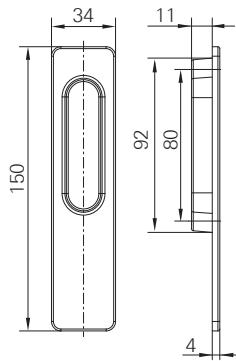
**Scope of delivery**

- 1 recessed grip

							Nº
R01.1	Natural silver	anod.	N	-	-	10 Piece(s)	635151 <input type="checkbox"/>
R06.2M	Jet black, matt	powd-c	N	-	-	10 Piece(s)	635150 <input type="checkbox"/>

							Nº
R07.2	Traffic white	powd-c	N	-	-	10 Piece(s)	635149 <input type="checkbox"/>
R00.0	Uncoated	-	N	-	-	10 Piece(s)	635153 <input type="checkbox"/>

**7.1.6.6 Lift&Slide door handles – external recessed grip; rectangular 11 mm**



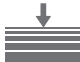






**Product description**

- Exterior handle
- Screw fixing with interior handle

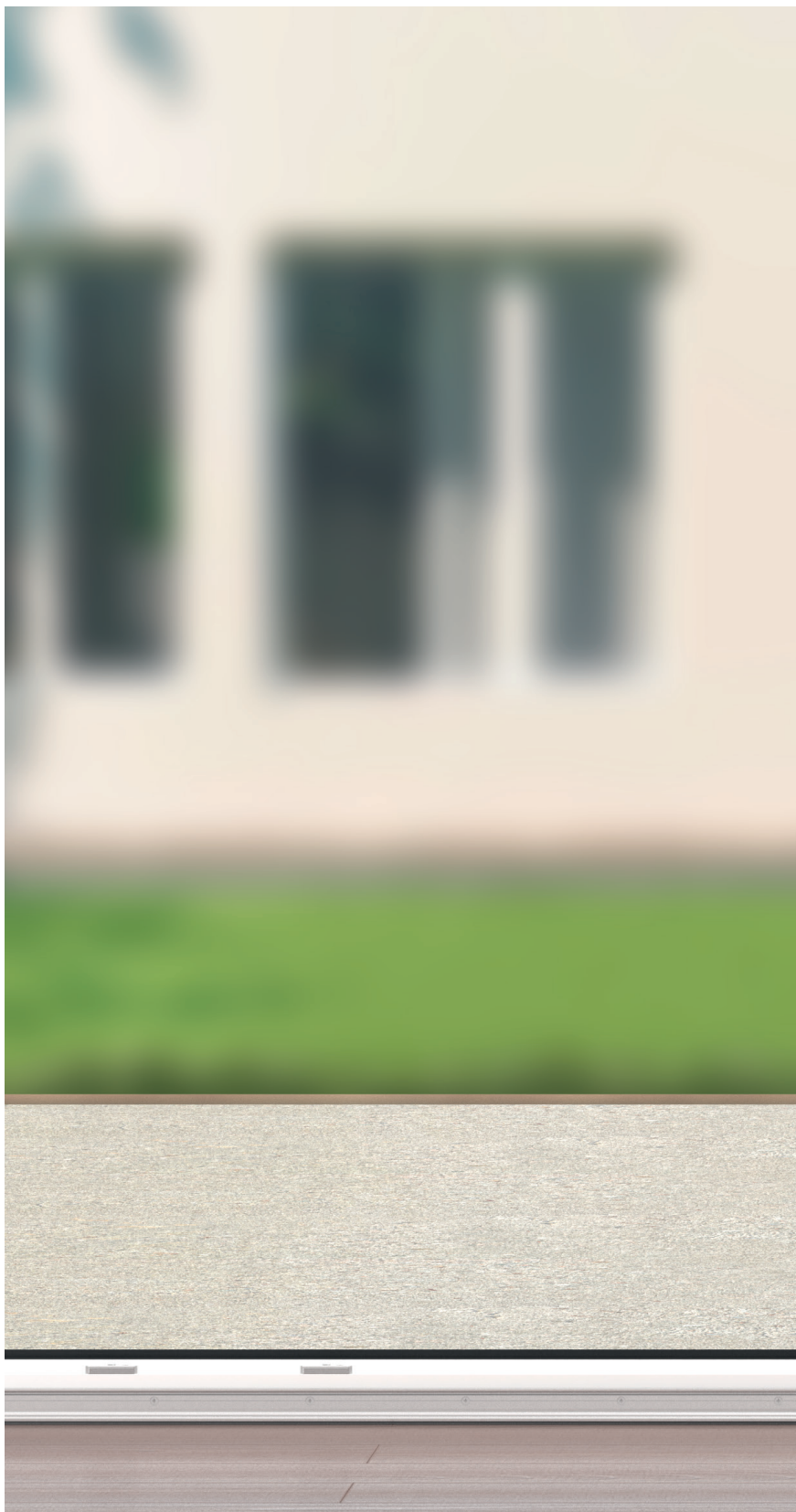
**Scope of delivery**

- 1 recessed grip

							Nº
R01.1	Natural silver	anod.	N	-	-	10 Piece(s)	635156 <input type="checkbox"/>
R06.2M	Jet black, matt	powd-c	N	-	-	10 Piece(s)	635155 <input type="checkbox"/>
R07.2	Traffic white	powd-c	N	-	-	10 Piece(s)	635154 <input type="checkbox"/>
R00.0	Uncoated	-	N	-	-	10 Piece(s)	635158 <input type="checkbox"/>



## Roto Patio Alversa







Roto Swing

Parallel Sliding and Tilt&Slide handles – standard	206
Parallel Sliding and Tilt&Slide handles – lockable, 100 Nm	207

Roto Line

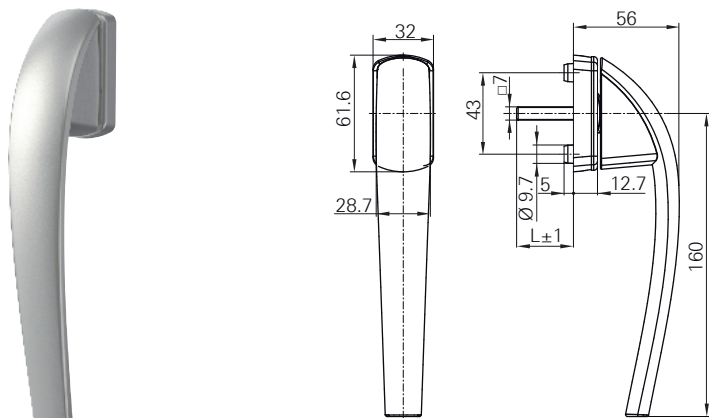
Parallel Sliding and Tilt&Slide handles – interior handles; 200 mm	208
Handle set with escutcheon version; 200 mm	210
Parallel Sliding and Tilt&Slide handles – interior handles; 160 mm	211
Parallel Sliding and Tilt&Slide handles – interior handles; 114 mm	212
Parallel Sliding and Tilt&Slide handles – escutcheon with standard handle on the outside and escutcheon with handle on the inside	213
Parallel Sliding and Tilt&Slide handles – escutcheon with flat handle on the outside and escutcheon with handle on the inside	214
Parallel Sliding and Tilt&Slide handles – geared-handle	216
Parallel Sliding and Tilt&Slide handles – geared-handle	217
Parallel Sliding and Tilt&Slide handles – interior handles, 200 mm, lockable, 100 Nm	218
Parallel Sliding and Tilt&Slide handles – interior handles, 160 mm, lockable, 100 Nm	220
Parallel Sliding and Tilt&Slide handles – interior handles, 114 mm, lockable, 100 Nm	221
Parallel Sliding and Tilt&Slide handles – interior handles, 114 mm, lockable, 40 Nm	222
Window handles – geared-handle, lockable, 100 Nm	223
Parallel Sliding and Tilt&Slide handles – geared-handle, lockable, 100 Nm	224
Parallel Sliding and Tilt&Slide handles – geared-handle, lockable, 100 Nm	225
Parallel Sliding and Tilt&Slide handles – interior handles; without escutcheon	226
Parallel Sliding and Tilt&Slide handles – interior handles; without escutcheon, lockable	227
Balcony door handles – outside and inside escutcheon with handle	228

Balcony door handles – escutcheon with flat handle on the outside and escutcheon with handle on the inside	230
Sliding door handles – exterior recessed grip	232
Accessories	233

## 8 Roto Patio Alversa

### 8.1 Roto Swing

#### 8.1.1 Parallel Sliding and Tilt&Slide handles – standard



#### Product description

- Basic handle without additional functions
- Lock-in position 90°
- 10-year performance warranty
- Classification in accordance with DIN EN 13126-3 .

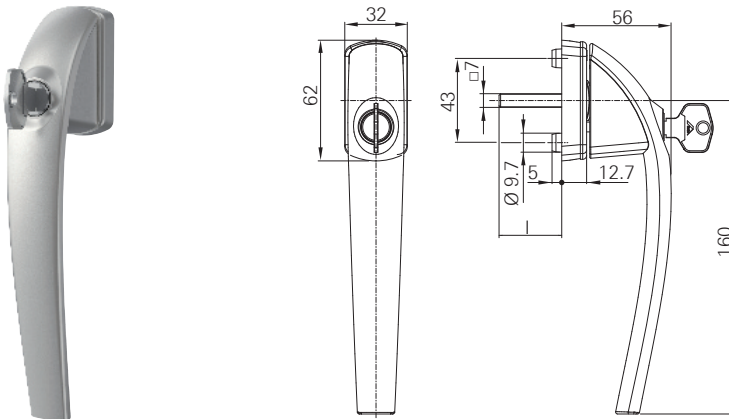
#### Scope of delivery

- 1 Parallel Sliding and Tilt&Slide handle
- Without fixing screws

35	R01.1	Natural silver	anod.	Y	-	-	15 Piece(s)	619714	
	R05.3	Medium bronze	anod.	Y	-	-	15 Piece(s)	619725	
	R07.2	Traffic white	powd-c	Y	-	-	15 Piece(s)	619726	
40	R01.1	Natural silver	anod.	Y	-	-	15 Piece(s)	619727	
	R05.3	Medium bronze	anod.	Y	-	-	15 Piece(s)	619728	
	R07.2	Traffic white	powd-c	Y	-	-	15 Piece(s)	619729	
43	R01.1	Natural silver	anod.	Y	-	-	15 Piece(s)	619730	
	R01.3	Titanium	anod.	Y	-	-	15 Piece(s)	729278	
	R05.3	Medium bronze	anod.	Y	-	-	15 Piece(s)	619731	
	R07.2	Traffic white	powd-c	Y	-	-	15 Piece(s)	619732	



### 8.1.2 Parallel Sliding and Tilt&Slide handles – lockable, 100 Nm



#### Product description

- Lockable handle with tested torque 100 Nm
- Closed by a push cylinder with reversible key
- Simple and quick locking by pushing down the cylinder
- Meets the requirements of DIN EN 1627-1630, RC 1 - RC 6
- Lock-in position 90°
- Ten-year performance warranty
- Classification in accordance with DIN EN 13126-3

#### Scope of delivery

- 1 Parallel Sliding and Tilt&Slide handle
- 1 key
- Without fixing screws



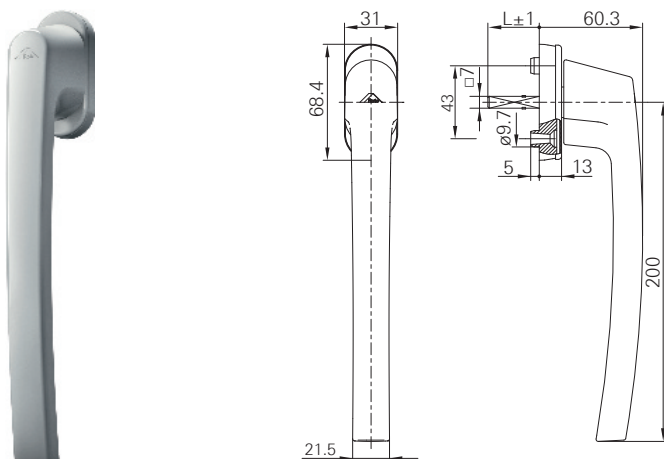
#### INFO

Further information on lockable handles → *from page 21.*

35	R01.1	Natural silver	anod.	Y	-	-	15 Piece(s)	619733	
	R05.3	Medium bronze	anod.	Y	-	-	15 Piece(s)	619734	
	R07.2	Traffic white	powd-c	Y	-	-	15 Piece(s)	619735	
40	R01.1	Natural silver	anod.	Y	-	-	15 Piece(s)	619736	
	R05.3	Medium bronze	anod.	Y	-	-	15 Piece(s)	619737	
	R07.2	Traffic white	powd-c	Y	-	-	15 Piece(s)	619738	
43	R01.1	Natural silver	anod.	Y	-	-	15 Piece(s)	619739	
	R05.3	Medium bronze	anod.	Y	-	-	15 Piece(s)	619740	
	R07.2	Traffic white	powd-c	Y	-	-	15 Piece(s)	619741	

## 8.2 Roto Line

### 8.2.1 Parallel Sliding and Tilt&Slide handles – interior handles; 200 mm



#### Product description




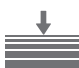


























- Basic handle without additional functions
- Lock-in position 90°
- 10-year performance warranty
- Classification in accordance with DIN EN 13126-3

#### Scope of delivery

- 1 Parallel Sliding and Tilt&Slide handle
- 2 fixing screws, can be shortened

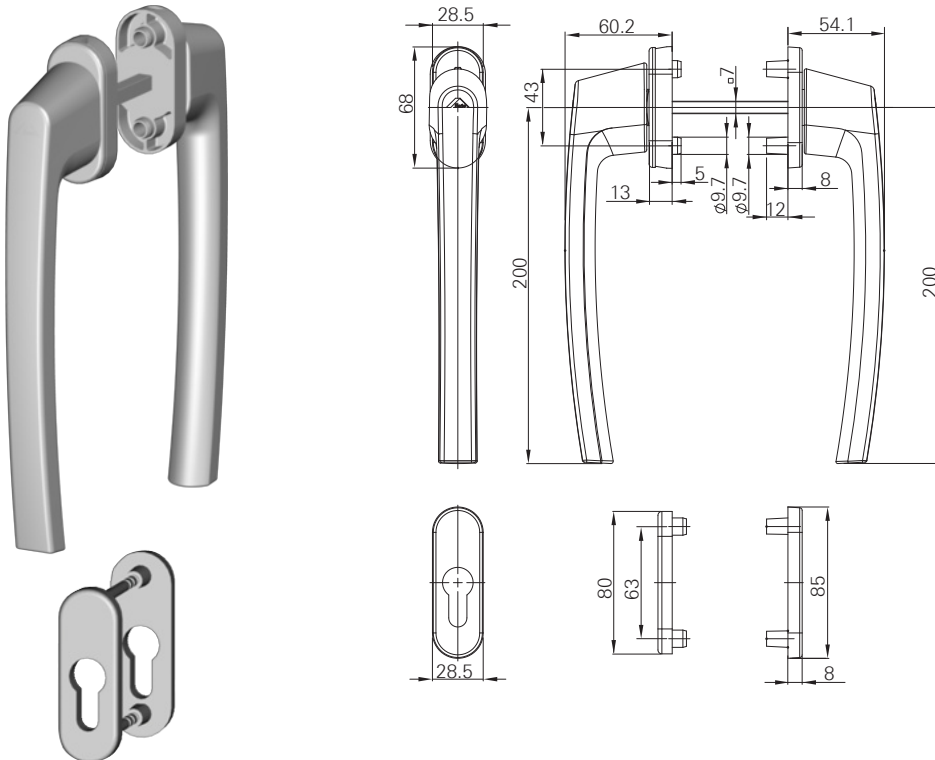
24	R01.1	Natural silver	anod.	Y	2	M5x30	1 Piece(s)	815193	
	R01.5	Silver	anod.	Y	2	M5x30	1 Piece(s)	815194	
	R06.2M	Jet black, matt	powd-c	Y	2	M5x30	1 Piece(s)	815215	
	R07.2	Traffic white	powd-c	Y	2	M5x30	1 Piece(s)	815216	
32	R01.1	Natural silver	anod.	Y	2	M5x40	1 Piece(s)	786362	
	R01.2	Nickel silver	anod.	Y	2	M5x40	1 Piece(s)	786669	
	R01.3	Titanium	anod.	Y	2	M5x40	1 Piece(s)	786670	
	R01.5	Silver	powd-c	Y	2	M5x40	1 Piece(s)	786671	
	R04.4	Black brown	powd-c	Y	2	M5x40	1 Piece(s)	796925	
	R05.3	Medium bronze	anod.	Y	2	M5x40	1 Piece(s)	786363	
	R05.4	Dark bronze	powd-c	Y	2	M5x40	1 Piece(s)	786364	
	R05.5	Bronze	anod.	Y	2	M5x40	1 Piece(s)	786673	
	R06.2M	Jet black, matt	powd-c	Y	2	M5x40	1 Piece(s)	786674	
	R07.2	Traffic white	powd-c	Y	2	M5x40	1 Piece(s)	786395	
	R07.3	Cream	powd-c	Y	2	M5x40	1 Piece(s)	786717	



								Nº
37	R01.1	Natural silver	anod.	Y	2	M5x45	1 Piece(s)	780549 
	R01.2	Nickel silver	anod.	Y	2	M5x45	1 Piece(s)	786517 
	R01.3	Titanium	anod.	Y	2	M5x45	1 Piece(s)	780552 
	R01.5	Silver	powd-c	Y	2	M5x45	1 Piece(s)	786519 
	R04.4	Black brown	powd-c	Y	2	M5x45	1 Piece(s)	796926 
	R05.3	Medium bronze	anod.	Y	2	M5x45	1 Piece(s)	780575 
	R05.4	Dark bronze	powd-c	Y	2	M5x45	1 Piece(s)	780576 
	R05.5	Bronze	anod.	Y	2	M5x45	1 Piece(s)	780577 
	R06.2M	Jet black, matt	powd-c	Y	2	M5x45	1 Piece(s)	786715 
	R07.3	Cream	powd-c	Y	2	M5x45	1 Piece(s)	780579 
	R07.2	Traffic white	powd-c	Y	2	M5x45	1 Piece(s)	780578 
43	R01.1	Natural silver	anod.	Y	2	M5x50	1 Piece(s)	780551 
	R01.2	Nickel silver	anod.	Y	2	M5x50	1 Piece(s)	786518 
	R01.3	Titanium	anod.	Y	2	M5x50	1 Piece(s)	780580 
	R01.5	Silver	powd-c	Y	2	M5x50	1 Piece(s)	786672 
	R04.4	Black brown	powd-c	Y	2	M5x50	1 Piece(s)	796927 
	R05.3	Medium bronze	anod.	Y	2	M5x50	1 Piece(s)	780581 
	R05.4	Dark bronze	powd-c	Y	2	M5x50	1 Piece(s)	780582 
	R05.5	Bronze	anod.	Y	2	M5x50	1 Piece(s)	780583 
	R06.2M	Jet black, matt	powd-c	Y	2	M5x50	1 Piece(s)	786716 
	R07.2	Traffic white	powd-c	Y	2	M5x50	1 Piece(s)	780584 
	R07.3	Cream	powd-c	Y	2	M5x50	1 Piece(s)	780585 



### 8.2.2 Handle set with escutcheon version; 200 mm



#### Product description

- Outside: standard handle securely pinned with profile cylinder escutcheon
- Inside: standard handle with profile cylinder escutcheon
- Handle length 200 mm
- Door leaf thickness: 78 - 98 mm
- Concealed screw fixing
- Lock-in position 90°
- Ten-year performance warranty

#### Scope of delivery

- 2 handles
- 2 profile cylinder escutcheons
- 4 fixing screws, can be shortened

135	R01.1	Natural silver	anod.	Y	4	M5x110	1 Piece(s)	838659 <input type="checkbox"/>
	R01.3	Titanium	anod.	Y	4	M5x110	1 Piece(s)	838661 <input type="checkbox"/>
	R01.5	Silver	anod.	Y	4	M5x110	1 Piece(s)	838663 <input type="checkbox"/>
	R05.3	Medium bronze	anod.	Y	4	M5x110	1 Piece(s)	838662 <input type="checkbox"/>
	R05.5	Bronze	anod.	Y	4	M5x110	1 Piece(s)	838664 <input type="checkbox"/>
	R06.2M	Jet black, matt	powd-c	Y	4	M5x110	1 Piece(s)	838658 <input type="checkbox"/>
	R07.2	Traffic white	powd-c	Y	4	M5x110	1 Piece(s)	838657 <input type="checkbox"/>
	R07.3	Cream	powd-c	Y	4	M5x110	1 Piece(s)	896725 <input type="checkbox"/>



### 8.2.3 Parallel Sliding and Tilt&Slide handles – interior handles; 160 mm



#### Product description

- Basic handle without additional functions
- Lock-in position 90°
- 10-year performance warranty
- Classification in accordance with DIN EN 13126-3

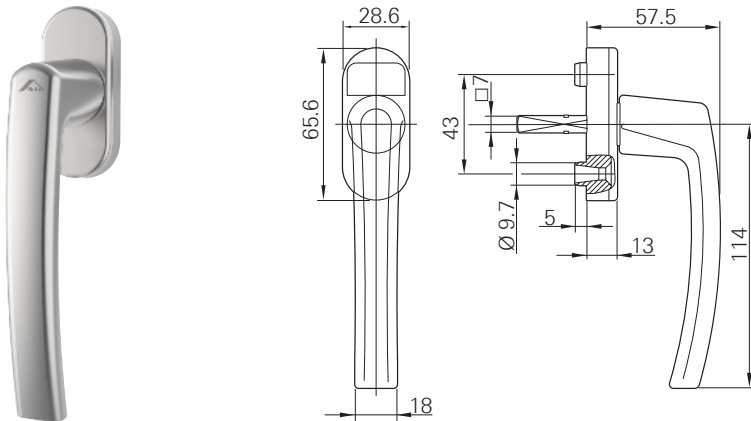
#### Scope of delivery

- 1 Parallel Sliding and Tilt&Slide handle
- Without fixing screws

35	R01.1	Natural silver	anod.	Y	-	-	1 Piece(s)	211598 <input type="checkbox"/>
	R01.2	Nickel silver	anod.	Y	-	-	1 Piece(s)	211599 <input type="checkbox"/>
	R01.3	Titanium	anod.	Y	-	-	1 Piece(s)	288728 <input type="checkbox"/>
	R01.5	Silver	anod.	Y	-	-	1 Piece(s)	623491 <input type="checkbox"/>
	R05.4	Dark bronze	anod.	Y	-	-	1 Piece(s)	288727 <input type="checkbox"/>
	R05.3	Medium bronze	anod.	Y	-	-	1 Piece(s)	211597 <input type="checkbox"/>
	R06.2M	Jet black, matt	powd-c	Y	-	-	1 Piece(s)	794352 <input type="checkbox"/>
	R07.2	Traffic white	powd-c	Y	-	-	1 Piece(s)	211596 <input type="checkbox"/>
43	R01.1	Natural silver	anod.	Y	-	-	1 Piece(s)	601161 <input type="checkbox"/>
	R01.2	Nickel silver	anod.	Y	-	-	1 Piece(s)	601162 <input type="checkbox"/>
	R01.3	Titanium	anod.	Y	-	-	1 Piece(s)	601163 <input type="checkbox"/>
	R05.3	Medium bronze	anod.	Y	-	-	1 Piece(s)	601164 <input type="checkbox"/>
	R05.4	Dark bronze	anod.	Y	-	-	1 Piece(s)	601165 <input type="checkbox"/>
	R07.2	Traffic white	powd-c	Y	-	-	1 Piece(s)	601166 <input type="checkbox"/>



### 8.2.4 Parallel Sliding and Tilt&Slide handles – interior handles; 114 mm



#### Product description

- Basic handle without additional functions
- Lock-in position 90°
- Ten-year performance warranty
- Classification in accordance with DIN EN 13126-3

#### Scope of delivery

- 1 window handle
- For fixing screws, see table







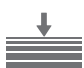





#### INFO

A flush-encased gearbox is required for use in aluminium profiles → *from page 233.*



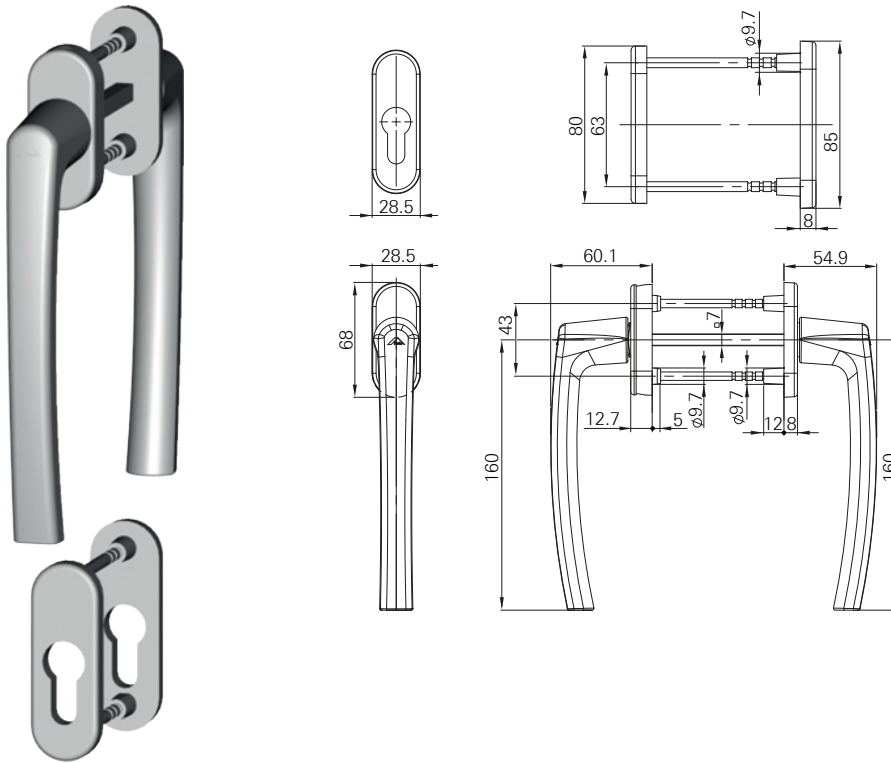
#### INFO

Only use handles with a length of 200 mm for Patio Alversa | PS Air Com.

										
24	R01.1	Natural silver	-	anod.	Y	-	-	20 Piece(s)	262466 <input type="checkbox"/>	
	R01.1	Natural silver	-	anod.	Y	2	M5x35	20 Piece(s)	799867 <input type="checkbox"/>	
	R01.1	Natural silver	-	anod.	N	2	M5x35	20 Piece(s)	858981 <input type="checkbox"/>	
	R01.3	Titanium	-	anod.	Y	-	-	20 Piece(s)	341748 <input type="checkbox"/>	
	R01.3	Titanium	-	anod.	N	2	M5x35	20 Piece(s)	858983 <input type="checkbox"/>	
	R04.1	Grey brown	-	powd-c	N	2	M5x35	20 Piece(s)	858982 <input type="checkbox"/>	
	R06.2M	Jet black, matt	-	powd-c	Y	2	M5x30	20 Piece(s)	857277 <input type="checkbox"/>	
	R06.2M	Jet black, matt	-	powd-c	Y	2	M5x35	20 Piece(s)	794253 <input type="checkbox"/>	
	R07.2	Traffic white	-	powd-c	Y	2	M5x35	20 Piece(s)	490545 <input type="checkbox"/>	
	R07.2	Traffic white	-	powd-c	N	2	M5x35	20 Piece(s)	858980 <input type="checkbox"/>	
	SF	Special colour	Escutcheon: Signal white	-	powd-c	Y	2	M5x35	20 Piece(s)	800294 <input type="checkbox"/>
	SF	Special colour	Escutcheon: Steel grey	-	powd-c	Y	2	M5x35	20 Piece(s)	800385 <input type="checkbox"/>
	SF	Special colour	Escutcheon: Jet black	-	powd-c	Y	2	M5x35	20 Piece(s)	788812 <input type="checkbox"/>



### 8.2.5 Parallel Sliding and Tilt&Slide handles – escutcheon with standard handle on the outside and escutcheon with handle on the inside



#### Product description

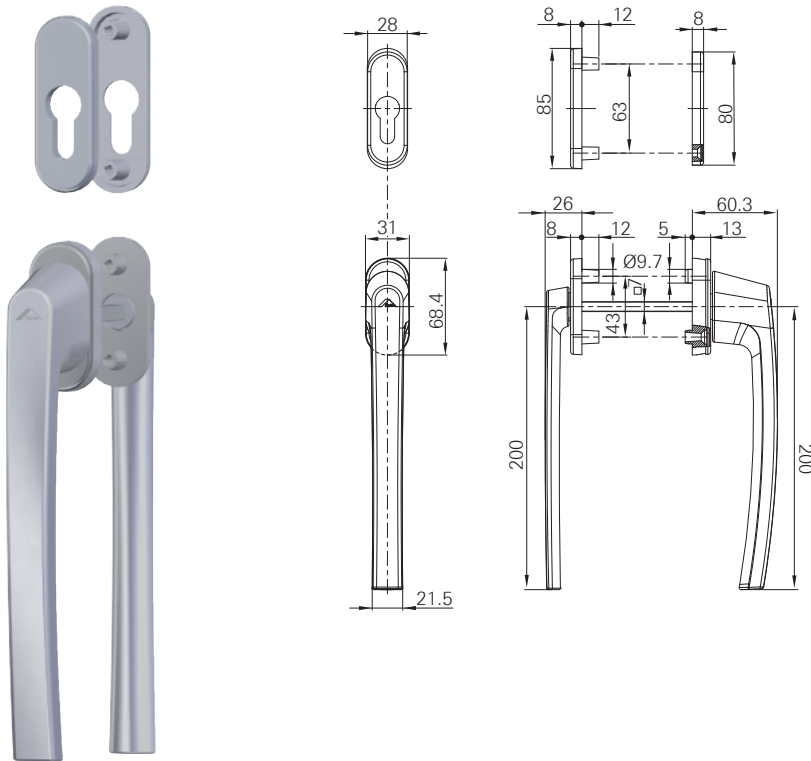
- Handle set with escutcheon version
- Outside: handle securely pinned
- Outside: standard handle with profile cylinder escutcheon
- Inside: standard handle with profile cylinder escutcheon
- Door leaf thickness: 48 - 78 mm
- Concealed screw fixing
- Lock-in position 90°
- Ten-year performance warranty

#### Scope of delivery

- 2 Parallel Sliding and Tilt&Slide handles
- 2 profile cylinder escutcheons
- 4 fixing screws, can be shortened

100	R01.1	Natural silver	anod.	Y	4	M5x100	1 Piece(s)	776119 <input type="checkbox"/>
	R05.3	Medium bronze	anod.	Y	4	M5x100	1 Piece(s)	776120 <input type="checkbox"/>
	R05.4	Dark bronze	powd-c	Y	4	M5x100	1 Piece(s)	776121 <input type="checkbox"/>
	R05.5	Bronze	anod.	Y	4	M5x100	1 Piece(s)	776122 <input type="checkbox"/>
	R07.2	Traffic white	powd-c	Y	4	M5x100	1 Piece(s)	776123 <input type="checkbox"/>

### 8.2.6 Parallel Sliding and Tilt&Slide handles – escutcheon with flat handle on the outside and escutcheon with handle on the inside











#### Product description

- Handle set with escutcheon version
- Outside: handle securely pinned
- Outside: flat handle with profile cylinder escutcheon
- Inside: standard handle with profile cylinder escutcheon
- Square spindle: 100 mm
  - Door leaf thickness: 68 - 78 mm
- Square spindle: 135 mm
  - Door leaf thickness: 78 - 98 mm
- Concealed screw fixing
- Lock-in position 90°
- Ten-year performance warranty

#### Scope of delivery

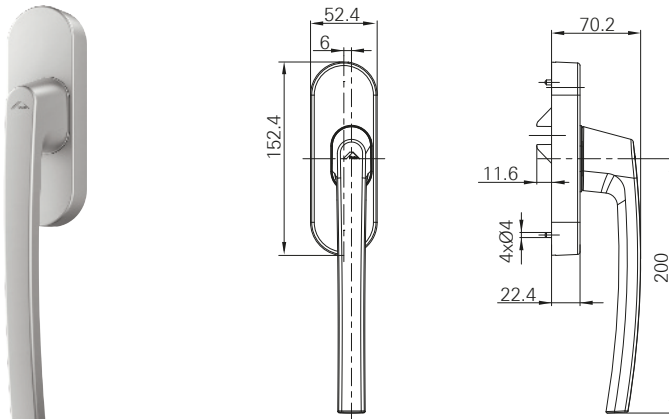
- 2 Parallel Sliding and Tilt&Slide handles
- 2 profile cylinder escutcheons
- 4 fixing screws, can be shortened



								Nº
100	R01.1	Natural silver	anod.	Y	4	M5x100	1 Piece(s)	786179 <input type="checkbox"/>
	R01.5	Silver	powd-c	Y	4	M5x100	1 Piece(s)	786221 <input type="checkbox"/>
	R02.2	Anthracite grey	powd-c	Y	4	M5x100	1 Piece(s)	820799 <input type="checkbox"/>
	R04.4	Black brown	powd-c	Y	4	M5x100	1 Piece(s)	796931 <input type="checkbox"/>
	R05.3	Medium bronze	anod.	Y	4	M5x100	1 Piece(s)	786180 <input type="checkbox"/>
	R05.4	Dark bronze	powd-c	Y	4	M5x100	1 Piece(s)	786181 <input type="checkbox"/>
	R05.5	Bronze	anod.	Y	4	M5x100	1 Piece(s)	786182 <input type="checkbox"/>
	R06.2M	Jet black, matt	powd-c	Y	4	M5x100	1 Piece(s)	786222 <input type="checkbox"/>
	R07.2	Traffic white	powd-c	Y	4	M5x100	1 Piece(s)	786183 <input type="checkbox"/>
	R07.3	Cream	powd-c	Y	4	M5x100	1 Piece(s)	786184 <input type="checkbox"/>
135	R01.1	Natural silver	anod.	Y	4	M5x110	1 Piece(s)	786225 <input type="checkbox"/>
	R01.5	Silver	powd-c	Y	4	M5x110	1 Piece(s)	786220 <input type="checkbox"/>
	R04.4	Black brown	powd-c	Y	4	M5x110	1 Piece(s)	796932 <input type="checkbox"/>
	R05.3	Medium bronze	anod.	Y	4	M5x110	1 Piece(s)	786226 <input type="checkbox"/>
	R05.4	Dark bronze	powd-c	Y	4	M5x110	1 Piece(s)	786227 <input type="checkbox"/>
	R05.5	Bronze	anod.	Y	4	M5x110	1 Piece(s)	786228 <input type="checkbox"/>
	R06.2M	Jet black, matt	powd-c	Y	4	M5x110	1 Piece(s)	786229 <input type="checkbox"/>
	R07.2	Traffic white	powd-c	Y	4	M5x110	1 Piece(s)	786230 <input type="checkbox"/>
	R07.3	Cream	powd-c	Y	4	M5x110	1 Piece(s)	786219 <input type="checkbox"/>



### 8.2.7 Parallel Sliding and Tilt&Slide handles – geared-handle



#### Product description

- 90° lock-in position
- Ten-year performance warranty
- Special hardware components are required for this handle. You can find the required hardware component in the relevant system catalogue.



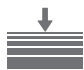



#### Scope of delivery

- 1 window handle
- 1 T connector set



#### INFO

For the scope of delivery of the T connector set, see → *from page 236*

						Nº
R01.5	Silver	powd-c	Y	1 Piece(s)	Aluminium	775916 <input type="checkbox"/>
R04.4	Black brown	powd-c	Y	1 Piece(s)		796851 <input type="checkbox"/>
R05.4	Dark bronze	anod.	Y	1 Piece(s)		775919 <input type="checkbox"/>
R06.2M	Jet black, matt	powd-c	Y	1 Piece(s)		775918 <input type="checkbox"/>
R07.2	Traffic white	powd-c	Y	1 Piece(s)		775917 <input type="checkbox"/>
R00.0	Uncoated	-	N	1 Piece(s)		775920 <input type="checkbox"/>

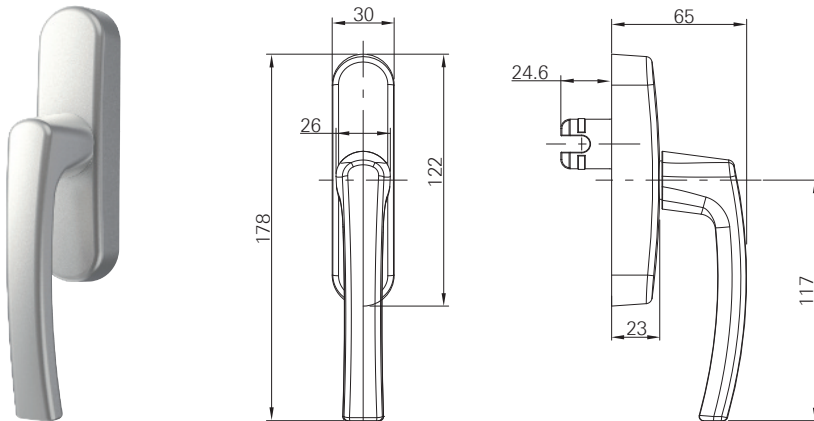


#### INFO

The uncoated handle is not supplied assembled.



### 8.2.8 Parallel Sliding and Tilt&Slide handles – geared-handle



#### Product description

- Basic handle without additional functions
- Lock-in position 90°

#### Scope of delivery

- 1 Parallel Sliding and Tilt&Slide handle
- Without fixing screws

26	R01.5	Silver	powd-c	-	-	Y	1 Piece(s)	786522 <input type="checkbox"/>
	R05.4	Dark bronze	powd-c	-	-	Y	1 Piece(s)	786523 <input type="checkbox"/>
	R06.2M	Jet black, matt	powd-c	-	-	Y	1 Piece(s)	786524 <input type="checkbox"/>
	R07.2	Traffic white	powd-c	-	-	Y	1 Piece(s)	786535 <input type="checkbox"/>
	R00.0	Uncoated	-	-	-	Y	1 Piece(s)	786541 <input type="checkbox"/>

Compatible T connectors → *from page 236.*

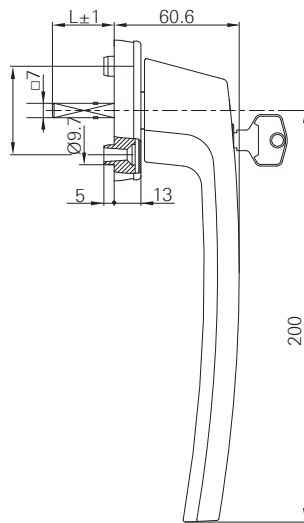
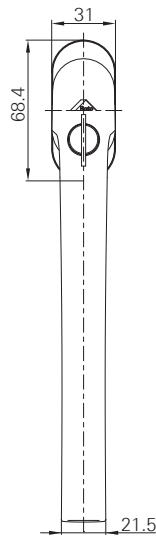


#### INFO

The uncoated handle is not supplied assembled.



### 8.2.9 Parallel Sliding and Tilt&Slide handles – interior handles, 200 mm, lockable, 100 Nm



#### Product description

- Lockable handle with tested torque 100 Nm
- Closed by a push cylinder with reversible key
- Simple and quick locking by pushing down the cylinder
- Meets the requirements of DIN EN 1627-1630, RC 1 - RC 6
- Lock-in position 90°
- Ten-year performance warranty
- Classification in accordance with DIN EN 13126-3

#### Scope of delivery

- 1 Parallel Sliding and Tilt&Slide handle
- 1 key
- 2 fixing screws, can be shortened











#### INFO

Further information on lockable handles → *from page 21.*

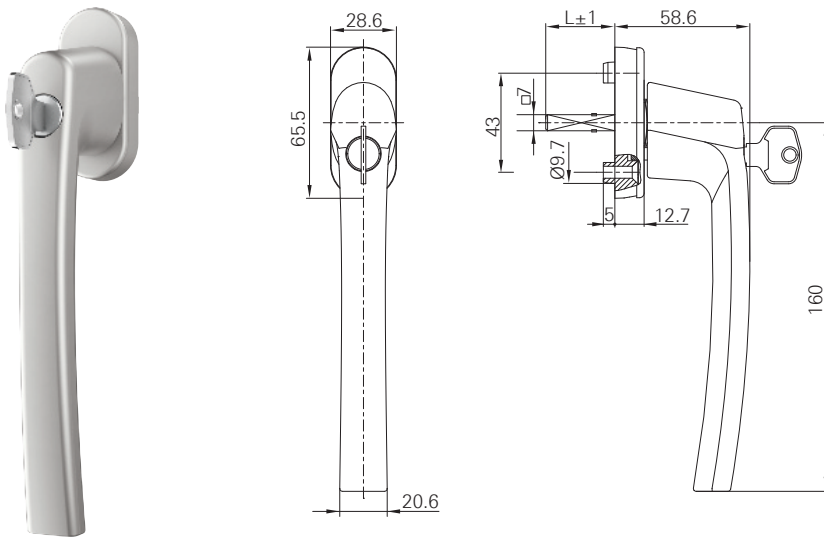
24	R01.1	Natural silver	anod.	Y	2	M5x30	1 Piece(s)	815217	▣
	R01.5	Silver	anod.	Y	2	M5x30	1 Piece(s)	815218	▣
	R06.2M	Jet black, matt	powd-c	Y	2	M5x30	1 Piece(s)	815219	▣
	R07.2	Traffic white	powd-c	Y	2	M5x30	1 Piece(s)	815220	▣



								N <sup>o</sup>
32	R01.1	Natural silver	anod.	Y	2	M5x40	1 Piece(s)	786719 <input checked="" type="checkbox"/>
	R01.2	Nickel silver	anod.	Y	2	M5x40	1 Piece(s)	786720 <input checked="" type="checkbox"/>
	R01.3	Titanium	anod.	Y	2	M5x40	1 Piece(s)	786732 <input checked="" type="checkbox"/>
	R01.5	Silver	powd-c	Y	2	M5x40	1 Piece(s)	786733 <input checked="" type="checkbox"/>
	R04.4	Black brown	powd-c	Y	2	M5x40	1 Piece(s)	796928 <input checked="" type="checkbox"/>
	R05.3	Medium bronze	anod.	Y	2	M5x40	1 Piece(s)	786397 <input checked="" type="checkbox"/>
	R05.4	Dark bronze	powd-c	Y	2	M5x40	1 Piece(s)	786398 <input checked="" type="checkbox"/>
	R05.5	Bronze	anod.	Y	2	M5x40	1 Piece(s)	787000 <input checked="" type="checkbox"/>
	R06.2M	Jet black, matt	powd-c	Y	2	M5x40	1 Piece(s)	787002 <input checked="" type="checkbox"/>
	R07.2	Traffic white	powd-c	Y	2	M5x40	1 Piece(s)	786399 <input checked="" type="checkbox"/>
	R07.3	Cream	powd-c	Y	2	M5x40	1 Piece(s)	787001 <input checked="" type="checkbox"/>
37	R01.1	Natural silver	anod.	Y	2	M5x45	1 Piece(s)	780586 <input checked="" type="checkbox"/>
	R01.2	Nickel silver	anod.	Y	2	M5x45	1 Piece(s)	786396 <input checked="" type="checkbox"/>
	R01.3	Titanium	anod.	Y	2	M5x45	1 Piece(s)	780587 <input checked="" type="checkbox"/>
	R01.5	Silver	powd-c	Y	2	M5x45	1 Piece(s)	786734 <input checked="" type="checkbox"/>
	R04.4	Black brown	powd-c	Y	2	M5x45	1 Piece(s)	796929 <input checked="" type="checkbox"/>
	R05.3	Medium bronze	anod.	Y	2	M5x45	1 Piece(s)	780588 <input checked="" type="checkbox"/>
	R05.4	Dark bronze	powd-c	Y	2	M5x45	1 Piece(s)	780589 <input checked="" type="checkbox"/>
	R05.5	Bronze	anod.	Y	2	M5x45	1 Piece(s)	780590 <input checked="" type="checkbox"/>
	R06.2M	Jet black, matt	powd-c	Y	2	M5x45	1 Piece(s)	787003 <input checked="" type="checkbox"/>
	R07.2	Traffic white	powd-c	Y	2	M5x45	1 Piece(s)	780591 <input checked="" type="checkbox"/>
	R07.3	Cream	powd-c	Y	2	M5x45	1 Piece(s)	780592 <input checked="" type="checkbox"/>
43	R01.1	Natural silver	anod.	Y	2	M5x50	1 Piece(s)	780593 <input checked="" type="checkbox"/>
	R01.2	Nickel silver	anod.	Y	2	M5x45	1 Piece(s)	786730 <input checked="" type="checkbox"/>
	R01.3	Titanium	anod.	Y	2	M5x50	1 Piece(s)	780594 <input checked="" type="checkbox"/>
	R01.5	Silver	powd-c	Y	2	M5x50	1 Piece(s)	786755 <input checked="" type="checkbox"/>
	R02.2	Anthracite grey	powd-c	Y	2	M5x50	1 Piece(s)	820798 <input type="checkbox"/>
	R04.4	Black brown	powd-c	Y	2	M5x50	1 Piece(s)	796930 <input checked="" type="checkbox"/>
	R05.3	Medium bronze	anod.	Y	2	M5x50	1 Piece(s)	780595 <input checked="" type="checkbox"/>
	R05.4	Dark bronze	powd-c	Y	2	M5x50	1 Piece(s)	780596 <input checked="" type="checkbox"/>
	R05.5	Bronze	anod.	Y	2	M5x50	1 Piece(s)	780597 <input checked="" type="checkbox"/>
	R06.2M	Jet black, matt	powd-c	Y	2	M5x50	1 Piece(s)	787004 <input checked="" type="checkbox"/>
	R07.2	Traffic white	powd-c	Y	2	M5x50	1 Piece(s)	780598 <input checked="" type="checkbox"/>
	R07.3	Cream	powd-c	Y	2	M5x50	1 Piece(s)	780599 <input checked="" type="checkbox"/>



### 8.2.10 Parallel Sliding and Tilt&Slide handles – interior handles, 160 mm, lockable, 100 Nm



#### Product description

- Lockable handle with tested torque 100 Nm
- Closed by a push cylinder with reversible key
- Simple and quick locking by pushing down the cylinder
- Meets the requirements of DIN EN 1627-1630, RC 1 - RC 6
- Lock-in position 90°
- Ten-year performance warranty
- Classification in accordance with DIN EN 13126-3

#### Scope of delivery

- 1 Parallel Sliding and Tilt&Slide handle
- 1 key
- Without fixing screws



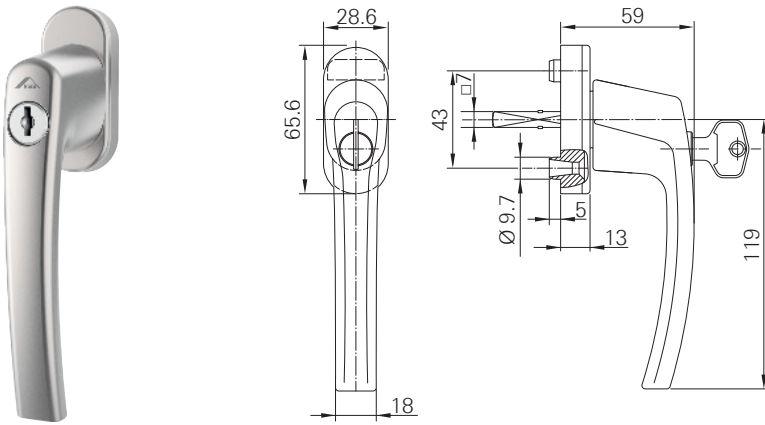
#### INFO

Further information on lockable handles → *from page 21.*

								N <sup>o</sup>
43	R07.2	Traffic white	powd-c	Y	-	-	1 Piece(s)	774105 <input type="checkbox"/>
	R01.1	Natural silver	powd-c	Y	-	-	1 Piece(s)	773853 <input type="checkbox"/>
	R01.3	Titanium	powd-c	Y	-	-	1 Piece(s)	773854 <input type="checkbox"/>
	R04.1	Grey brown	powd-c	Y	-	-	1 Piece(s)	775173 <input type="checkbox"/>



### 8.2.11 Parallel Sliding and Tilt&Slide handles – interior handles, 114 mm, lockable, 100 Nm



#### Product description

- Lockable handle with tested torque 100 Nm
- Closed by a push cylinder with reversible key
- Simple and quick locking by pushing down the cylinder
- Meets the requirements of DIN EN 13126-3, RC 1 - RC 6
- Lock-in position 90°
- Ten-year performance warranty
- Classification in accordance with DIN EN 13126-3

#### Scope of delivery

- 1 window handle
- 1 key
- For fixing screws, see table



#### INFO

Further information on lockable handles → *from page 21.*

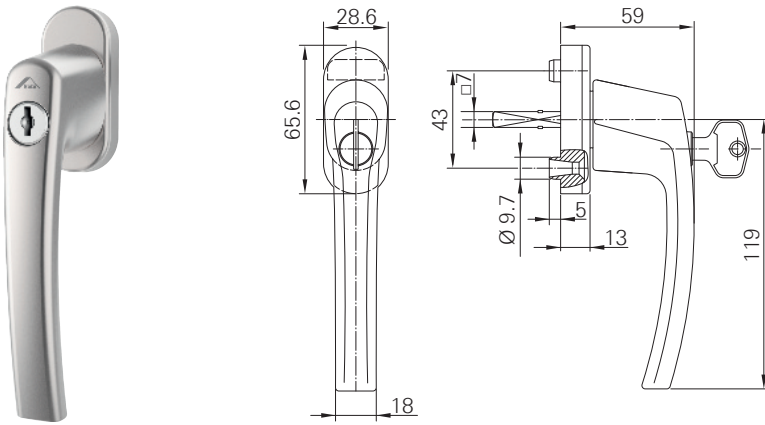


#### INFO

A flush-encased gearbox is required for use in aluminium profiles → *from page 233.*

24	R01.1	Natural silver	anod.	Y	2	M5x30	20 Piece(s)	819857 <input type="checkbox"/>
	R01.1	Natural silver	anod.	N	2	M5x35	20 Piece(s)	858985 <input type="checkbox"/>
	R01.3	Titanium	anod.	N	2	M5x35	20 Piece(s)	858986 <input type="checkbox"/>
	R07.2	Traffic white	powd-c	Y	2	M5x30	20 Piece(s)	819856 <input type="checkbox"/>
	R07.2	Traffic white	powd-c	N	2	M5x35	20 Piece(s)	858984 <input type="checkbox"/>

### 8.2.12 Parallel Sliding and Tilt&Slide handles – interior handles, 114 mm, lockable, 40 Nm



#### Product description

- Lockable handle with tested torque 40 Nm (basic security)
- Closed by a rotary cylinder with reversible key
- Can be unlocked and locked as required
- Can be operated when the handle is unlocked
- Lock-in position 90°
- Ten-year performance warranty
- Classification in accordance with DIN EN 13126-3

#### Scope of delivery

- 1 window handle
- 1 key
- For fixing screws, see table



#### INFO

A flush-encased gearbox is required for use in aluminium profiles → *from page 233.*



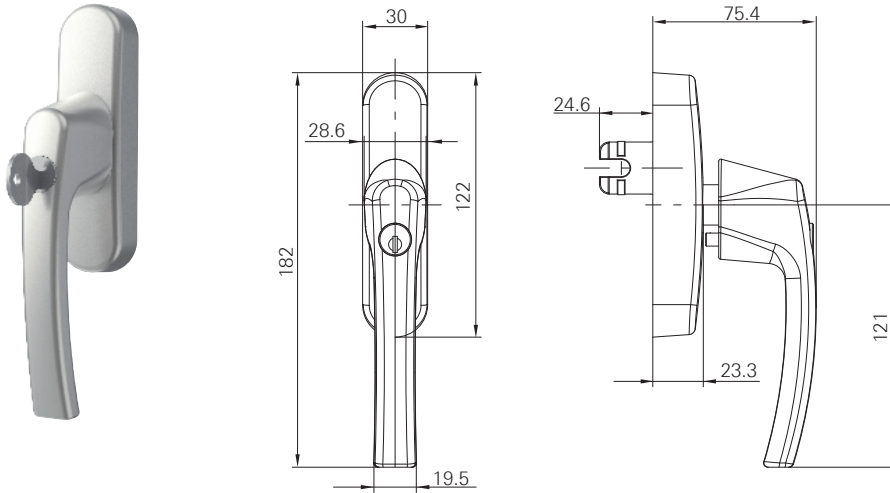
#### INFO

Only use handles with a length of 200 mm for Patio Alversa | PS Air Com.

								<b>Nº</b>
24	R01.1	Natural silver	anod.	Y	-	-	15 Piece(s)	610560 <input type="checkbox"/>
	R01.5	Silver	anod.	N	2	M5x30	15 Piece(s)	640325 <input type="checkbox"/>
	R06.2	Jet black	powd-c	Y	2	M5x40	15 Piece(s)	840755 <input type="checkbox"/>
	R07.2	Traffic white	powd-c	Y	-	-	15 Piece(s)	765011 <input type="checkbox"/>



### 8.2.13 Window handles – geared-handle, lockable, 100 Nm



#### Product description

- Lockable handle with tested torque 100 Nm
- Closed by a cylinder with reversible key
- Lock-in position 90°

#### Scope of delivery

- 1 window handle
- 2 keys
- Without fixing screws

								Nº
26	R01.1	Natural silver	wet p	Y	-	-	10 Piece(s)	384524 <input checked="" type="checkbox"/>
			wet p	N	-	-	10 Piece(s)	384525 <input checked="" type="checkbox"/>
	R01.5	Silver	powd-c	Y	-	-	10 Piece(s)	378843 <input checked="" type="checkbox"/>
	R03.4	Stainless-steel design	Nickel-plated	Y	-	-	10 Piece(s)	335881 <input checked="" type="checkbox"/>
	R05.4	Dark bronze	powd-c	Y	-	-	10 Piece(s)	378917 <input checked="" type="checkbox"/>
	R06.2M	Jet black, matt	powd-c	Y	-	-	10 Piece(s)	378844 <input checked="" type="checkbox"/>
	R06.2	Jet black	powd-c	Y	-	-	10 Piece(s)	385193 <input checked="" type="checkbox"/>
	R07.1	Pure white	powd-c	Y	-	-	10 Piece(s)	378915 <input checked="" type="checkbox"/>
			powd-c	N	-	-	10 Piece(s)	384521 <input checked="" type="checkbox"/>
	R07.2	Traffic white	powd-c	Y	-	-	10 Piece(s)	378916 <input checked="" type="checkbox"/>
SF	Special colour	wet p powd-c	Y	-	-	10 Piece(s)	378918 <input checked="" type="checkbox"/>	
		wet p powd-c	N	-	-	10 Piece(s)	384523 <input checked="" type="checkbox"/>	
R00.0	Uncoated	-	N	-	-	10 Piece(s)	238700 <input checked="" type="checkbox"/>	
32	R01.5	Silver	anod.	Y	-	-	10 Piece(s)	384099 <input type="checkbox"/>

Compatible T connectors → *from page 236.*

Fork for geared-handle → *from page 236*, other fork lengths are available upon request.

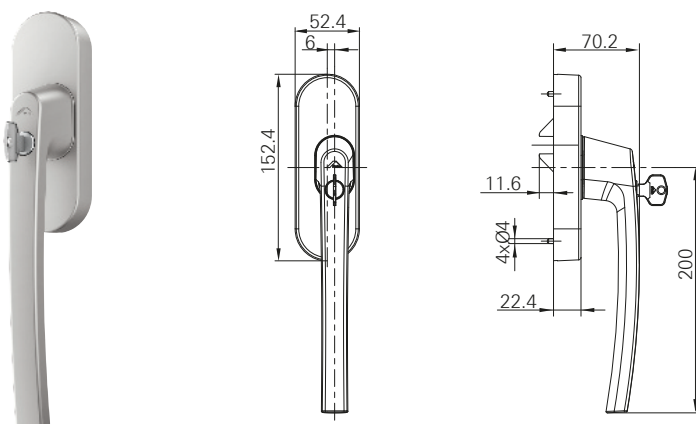
Accessories for geared-handle → *from page 236.*



#### INFO

The uncoated handle is not supplied assembled.

### 8.2.14 Parallel Sliding and Tilt&Slide handles – geared-handle, lockable, 100 Nm



#### Product description

- Lockable handle with tested torque 100 Nm
- Closed by a push cylinder with reversible key
- Simple and quick locking by pushing down the cylinder
- Meets the requirements of DIN EN 1627-1930, RC1 - RC6
- Special hardware components are required for this handle.

#### Scope of delivery

- 1 Parallel Sliding and Tilt&Slide handle
- 1 T connector set

						Nº
R01.1	Natural silver	anod.	Y	1 Piece(s)	Timber PVC	775943 <input type="checkbox"/>
R04.4	Black brown	powd-c	Y	1 Piece(s)		796850 <input type="checkbox"/>
R05.3	Medium bronze	anod.	Y	1 Piece(s)		775944 <input type="checkbox"/>
R05.4	Dark bronze	powd-c	Y	1 Piece(s)		775945 <input type="checkbox"/>
R05.5	Bronze	anod.	Y	1 Piece(s)		775946 <input type="checkbox"/>
R07.2	Traffic white	powd-c	Y	1 Piece(s)		775947 <input type="checkbox"/>
R07.3	Cream	powd-c	Y	1 Piece(s)		775948 <input type="checkbox"/>
R01.5	Silver	powd-c	Y	1 Piece(s)	Aluminium	775921 <input type="checkbox"/>
R04.4	Black brown	powd-c	Y	1 Piece(s)		796853 <input type="checkbox"/>
R05.4	Dark bronze	anod.	Y	1 Piece(s)		775924 <input type="checkbox"/>
R06.2M	Jet black, matt	powd-c	Y	1 Piece(s)		775923 <input type="checkbox"/>
R07.2	Traffic white	anod.	Y	1 Piece(s)		775922 <input type="checkbox"/>



#### INFO

The uncoated handle is not supplied assembled.

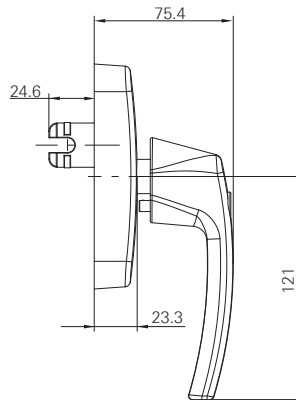
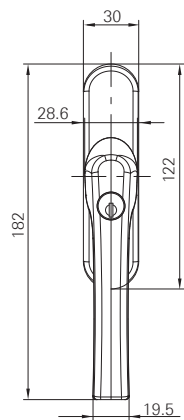


#### INFO

For the scope of delivery of the T connector set, see → *from page 236*



### 8.2.15 Parallel Sliding and Tilt&Slide handles – geared-handle, lockable, 100 Nm



#### Product description

- Lockable handle with tested torque 100 Nm
- Closed by a cylinder with reversible key
- Lock-in position 90°

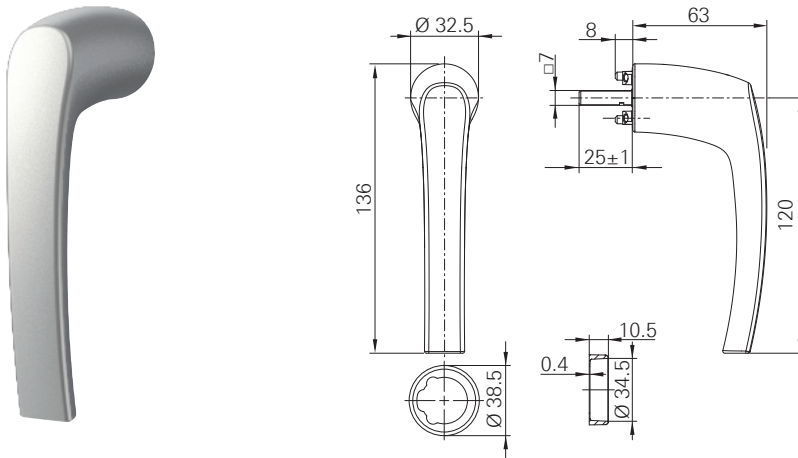
#### Scope of delivery

- 1 Parallel Sliding and Tilt&Slide handle
- 2 keys
- Without fixing screws

26	R01.5	Silver	powd-c	Y	-	-	1 Piece(s)	786536 <input type="checkbox"/>
	R05.4	Dark bronze	powd-c	Y	-	-	1 Piece(s)	786537 <input type="checkbox"/>
	R06.2M	Jet black, matt	powd-c	Y	-	-	1 Piece(s)	786538 <input type="checkbox"/>
	R07.2	Traffic white	powd-c	Y	-	-	1 Piece(s)	786539 <input type="checkbox"/>



### 8.2.16 Parallel Sliding and Tilt&Slide handles – interior handles; without escutcheon



#### Product description

- Basic handle without additional functions
- Can be optionally combined with colour-coordinated ring escutcheon
- Concealed screw fixing
- Lock-in position 90°

#### Scope of delivery

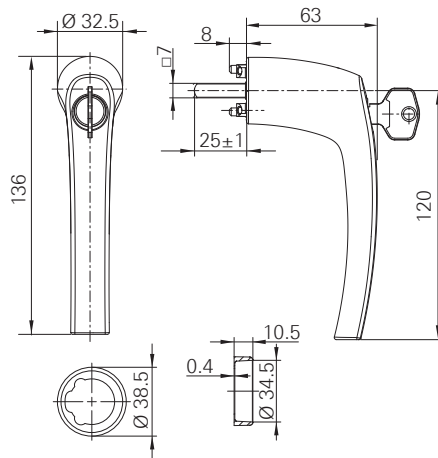
- 1 window handle
- 2 fixing screws
- 1 transport safety device

25	R01.1	Natural silver	wet p	N	2	M4x12.5	10 Piece(s)	623294
	R01.5	Silver	powd-c	N	2	M4x12.5	10 Piece(s)	377908
	R03.4	Stainless-steel design	met p	N	2	M4x12.5	10 Piece(s)	619288
	R05.4	Dark bronze	anod.	N	2	M4x12.5	10 Piece(s)	377912
	R06.2M	Jet black, matt	powd-c	N	2	M4x12.5	10 Piece(s)	377909
	R07.1	Pure white	powd-c	N	2	M4x12.5	10 Piece(s)	377910
	R07.2	Traffic white	powd-c	N	2	M4x12.5	10 Piece(s)	377911
	SF	Special colour	wet p powd-c	N	2	M4x12.5	10 Piece(s)	377913

Accessories for handle without escutcheon → *from page 116.*



### 8.2.17 Parallel Sliding and Tilt&Slide handles – interior handles; without escutcheon, lockable



#### Product description

- Lockable handle with tested torque 40 Nm
- Closed by a rotary cylinder with reversible key
- Can be unlocked and locked as required
- Can be operated when the handle is unlocked
- Lock-in position 90°

#### Scope of delivery

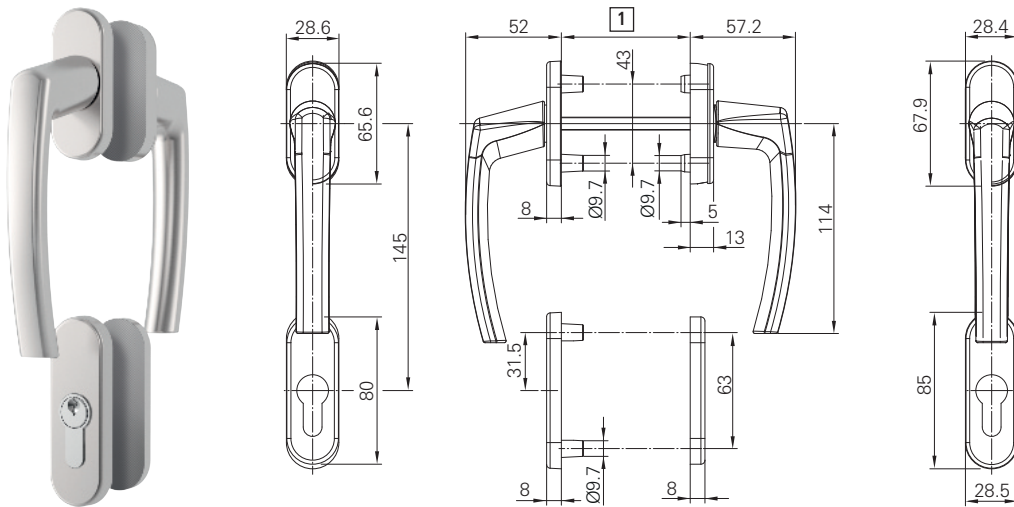
- 1 window handle
- 1 key
- 2 fixing screws
- 1 transport safety device

25	R01.1	Natural silver	wet p	N	2	M4x12.5	10 Piece(s)	623475
	R01.5	Silver	powd-c	N	2	M4x12.5	10 Piece(s)	377914
	R03.4	Stainless-steel design	anod.	N	2	M4x12.5	10 Piece(s)	619289
	R05.4	Dark bronze	anod.	N	2	M4x12.5	10 Piece(s)	377918
	R06.2	Jet black	powd-c	N	2	M4x12.5	10 Piece(s)	377915
	R07.2	Traffic white	powd-c	N	2	M4x12.5	10 Piece(s)	377917
	SF	Special colour	wet p powd-c	N	2	M4x12.5	10 Piece(s)	377919

Accessories for handle without escutcheon → *from page 116.*



## 8.2.18 Balcony door handles – outside and inside escutcheon with handle



### Product description

- Handle set with escutcheon version
- Outside: handle securely pinned
- Outside and inside: standard handle with profile cylinder escutcheon
- Concealed screw fixing
- Lock-in position 90°
- Ten-year performance warranty

### Scope of delivery

- 2 window handles
- 2 profile cylinder escutcheons
- 4 fixing screws, can be shortened



### INFO




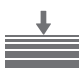




Profile cylinder is not included in the scope of delivery.



### INFO

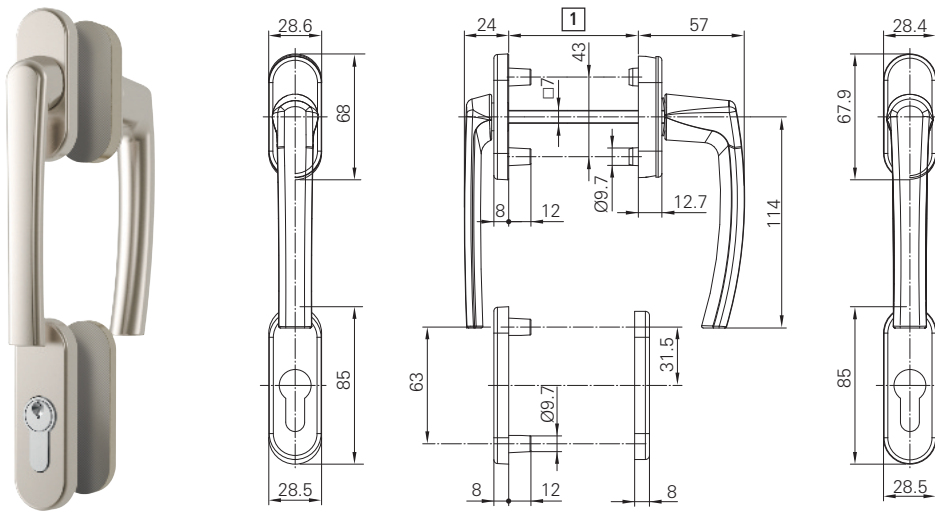
A flush-encased gearbox is required for use in aluminium profiles → *from page 233*.



								Nº
100	R01.1	Natural silver	anod.	Y	4	M5x100	1 Piece(s)	228292 <input checked="" type="checkbox"/>
			anod.	N	4	M5x100	1 Piece(s)	228380 <input type="checkbox"/>
	R01.2	Nickel silver	anod.	Y	4	M5x100	1 Piece(s)	228293 <input type="checkbox"/>
			anod.	N	4	M5x100	1 Piece(s)	228381 <input type="checkbox"/>
	R01.3	Titanium	anod.	Y	4	M5x100	1 Piece(s)	228233 <input checked="" type="checkbox"/>
			anod.	N	4	M5x100	1 Piece(s)	228333 <input type="checkbox"/>
	R03.1	Brass matt	anod.	Y	4	M5x100	1 Piece(s)	228294 <input checked="" type="checkbox"/>
			anod.	N	4	M5x100	1 Piece(s)	228382 <input type="checkbox"/>
	R04.1	Grey brown	powd-c	Y	4	M5x100	1 Piece(s)	228235 <input checked="" type="checkbox"/>
			powd-c	N	4	M5x100	1 Piece(s)	228335 <input type="checkbox"/>
	R05.3	Medium bronze	anod.	Y	4	M5x100	1 Piece(s)	228295 <input checked="" type="checkbox"/>
			anod.	N	4	M5x100	1 Piece(s)	228383 <input type="checkbox"/>
	R05.5	Bronze	anod.	Y	4	M5x100	1 Piece(s)	228296 <input checked="" type="checkbox"/>
			anod.	N	4	M5x100	1 Piece(s)	228384 <input type="checkbox"/>
	R06.2M	Jet black, matt	powd-c	N	4	M5x100	1 Piece(s)	794348 <input type="checkbox"/>
	R07.1	Pure white	powd-c	Y	4	M5x100	1 Piece(s)	228236 <input type="checkbox"/>
powd-c			N	4	M5x100	1 Piece(s)	228336 <input type="checkbox"/>	
R07.2	Traffic white	powd-c	Y	4	M5x100	1 Piece(s)	228237 <input checked="" type="checkbox"/>	
		powd-c	N	4	M5x100	1 Piece(s)	228337 <input type="checkbox"/>	
127	R01.1	Natural silver	anod.	N	4	M5x110	1 Piece(s)	601694 <input type="checkbox"/>
	R01.3	Titanium	anod.	N	4	M5x110	1 Piece(s)	601706 <input type="checkbox"/>
	R07.2	Traffic white	powd-c	N	4	M5x110	1 Piece(s)	601711 <input type="checkbox"/>



### 8.2.19 Balcony door handles – escutcheon with flat handle on the outside and escutcheon with handle on the inside



[1] Door leaf thickness depending on spindle length:

Spindle length 100 mm = 48 to 83 mm

Spindle length 127 mm = 52 to 110 mm



#### Product description

- Handle set with escutcheon version
- Outside: handle securely pinned
- Outside: flat handle with profile cylinder escutcheon
- Inside: standard handle with profile cylinder escutcheon
- Concealed screw fixing
- 90° lock-in position
- Ten-year performance warranty

#### Scope of delivery

- 2 window handles (flat handle, standard handle)
- 2 profile cylinder escutcheons
- 4 fixing screws, can be shortened











#### INFO

Profile cylinder is not included in the scope of delivery.

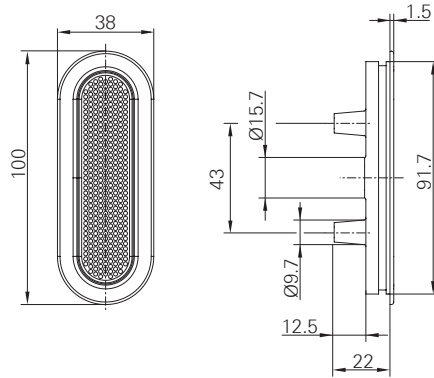
						#			Nº
100	R01.1	Natural silver	anod.	Y	4	M5x100	1 Piece(s)	228302	<input checked="" type="checkbox"/>
			anod.	N	4	M5x100	1 Piece(s)	228390	<input type="checkbox"/>
	R01.3	Titanium	anod.	Y	4	M5x100	1 Piece(s)	228245	<input checked="" type="checkbox"/>
			anod.	N	4	M5x100	1 Piece(s)	228345	<input type="checkbox"/>
	R04.1	Grey brown	powd-c	N	4	M5x100	1 Piece(s)	228347	<input type="checkbox"/>
	R05.3	Medium bronze	anod.	Y	4	M5x100	1 Piece(s)	228305	<input checked="" type="checkbox"/>
			anod.	N	4	M5x100	1 Piece(s)	228393	<input type="checkbox"/>
	R05.5	Bronze	anod.	Y	4	M5x100	1 Piece(s)	228306	<input checked="" type="checkbox"/>
			anod.	N	4	M5x100	1 Piece(s)	228394	<input type="checkbox"/>
	R07.2	Traffic white	powd-c	Y	4	M5x100	1 Piece(s)	228249	<input checked="" type="checkbox"/>
			powd-c	N	4	M5x100	1 Piece(s)	228349	<input type="checkbox"/>



								Nº
127	R01.1	Natural silver	anod.	N	4	M5x110	1 Piece(s)	601712 <input type="checkbox"/>
	R01.3	Titanium	anod.	N	4	M5x110	1 Piece(s)	601714 <input type="checkbox"/>
	R06.2M	Jet black, matt	powd-c	N	4	M5x110	1 Piece(s)	794354 <input type="checkbox"/>
	R07.2	Traffic white	powd-c	N	4	M5x110	1 Piece(s)	601729 <input type="checkbox"/>



### 8.2.20 Sliding door handles – exterior recessed grip



#### Product description

- Can be routed in
- Ten-year performance warranty

#### Scope of delivery

- 1 recessed grip

#### Recessed grip, standard

								Nº
43	R01.1	Natural silver	anod.	N	-	-	10 Piece(s)	494472 <input type="checkbox"/>
	R01.3	Titanium	anod.	N	-	-	10 Piece(s)	623221 <input type="checkbox"/>
	R05.3	Medium bronze	anod.	N	-	-	10 Piece(s)	494473 <input type="checkbox"/>
	R05.5	Bronze	anod.	N	-	-	10 Piece(s)	614625 <input type="checkbox"/>
	R07.2	Traffic white	powd-c	N	-	-	10 Piece(s)	494474 <input type="checkbox"/>

#### Recessed grip, deep

								Nº
43	R01.1	Natural silver	anod.	N	-	-	10 Piece(s)	820028 <input type="checkbox"/>
	R01.2	Nickel silver	anod.	N	-	-	10 Piece(s)	820029 <input type="checkbox"/>
	R01.3	Titanium	anod.	N	-	-	10 Piece(s)	820030 <input type="checkbox"/>
	R01.5	Silver	powd-c	N	-	-	10 Piece(s)	820031 <input type="checkbox"/>
	R05.3	Medium bronze	anod.	N	-	-	10 Piece(s)	820033 <input type="checkbox"/>
	R05.4	Dark bronze	powd-c	N	-	-	10 Piece(s)	820034 <input type="checkbox"/>
	R05.5	Bronze	anod.	N	-	-	10 Piece(s)	820055 <input type="checkbox"/>
	R06.2M	Jet black, matt	powd-c	N	-	-	10 Piece(s)	820070 <input type="checkbox"/>
	R07.2	Traffic white	powd-c	N	-	-	10 Piece(s)	820057 <input type="checkbox"/>
	R07.3	Cream	powd-c	N	-	-	10 Piece(s)	820058 <input type="checkbox"/>
	R00.0	Uncoated	-	N	-	-	10 Piece(s)	820059 <input type="checkbox"/>






## 8.2.21 Accessories

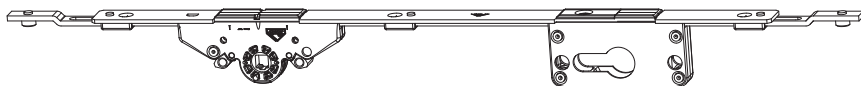
### 8.2.21.1 Flush-encased gearbox




#### 8.2.21.1.1 Standard



				N <sup>o</sup>
Flush-encased gearbox	15	280	1 Piece(s)	817163 <input type="checkbox"/>
	25	280	1 Piece(s)	625430 <input checked="" type="checkbox"/>
	30	280	1 Piece(s)	625431 <input checked="" type="checkbox"/>
	35	280	1 Piece(s)	625432 <input checked="" type="checkbox"/>
	40	280	1 Piece(s)	625433 <input checked="" type="checkbox"/>

#### 8.2.21.1.2 Security



				N <sup>o</sup>
Lockable flush-encased gearbox	25	475	1 Piece(s)	625438 <input checked="" type="checkbox"/>
	30	475	1 Piece(s)	625439 <input checked="" type="checkbox"/>
	35	475	1 Piece(s)	625440 <input checked="" type="checkbox"/>
	40	475	1 Piece(s)	625441 <input checked="" type="checkbox"/>
	25	525	1 Piece(s)	811483 <input type="checkbox"/>
	30	525	1 Piece(s)	811484 <input type="checkbox"/>
	35	525	1 Piece(s)	811495 <input type="checkbox"/>
	40	525	1 Piece(s)	811496 <input type="checkbox"/>



#### INFO

Not lockable in the tilt position in conjunction with handles with a length of 200 mm.

### 8.2.21.1.3 Flush-encased gearbox without mishandling device



#### Product description

- Flush-encased gearbox without additional functions
- Lock-in position 90°

#### Scope of delivery





- 1 flush-encased gearbox
- Without window handle



#### INFO

All Roto handles with square spindle can be used.



				<b>Nº</b>
Flush-encased gearbox without mishandling device	24 mm	Coupling point, 10 mm	10 Piece(s)	378338 



### 8.2.21.1.4 SEC flush-encased gearbox without mishandling device



#### Product description

- Flush-encased gearbox without additional functions
- Lock-in position 90°
- Suitable for use as RC 2 and RC 3








#### Scope of delivery

- 1 flush-encased gearbox
- Without window handle



#### INFO

All Roto handles with square spindle can be used. Additional hardware components are required for a window to be RC-compatible.

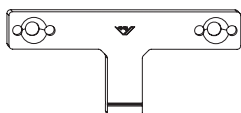
					
SEC flush-encased gearbox AL without mishandling device	24 mm	Coupling point, 10 mm	RC 2 RC 3	10 Piece(s)	457210 



## 8.2.21.2 Geared-handle

### 8.2.21.2.1 T connector

Timber / PVC



#### Product description

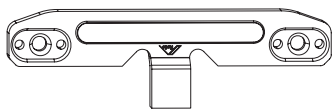
- Connector for attaching geared-handles
- for 13 mm axis
- can be shortened, also for 9 mm axis

#### Scope of delivery

- 1 T connector
- 4 countersunk self-tapping screws with hexalobular socket
- 2 screws, M5 x 12

		<b>Nº</b>
HK T connector	1 Piece(s)	785865 

### Aluminium



#### Product description

- Connector for attaching geared-handles

#### Scope of delivery

- 1 T connector
- 4 countersunk self-tapping screws with hexalobular socket
- 2 screws with hexalobular socket, M5 x 25
- 2 screws with hexalobular socket, M5 x 8
- 2 square nuts

		<b>Nº</b>
AL T connector	1 Piece(s)	785866 



### 8.2.21.2.2 T connector set



#### Product description

- Connector set for attaching geared-handles
- Predetermined breaking point to enable the installation of two main corner drives on the central locking system

#### Scope of delivery

- 1 T connector
- 2 fixing screws



#### INFO

All Roto Line geared-handles can be used.

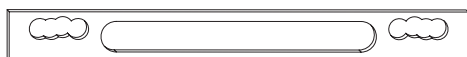
→ 3.1.5 "Window handles – geared-handle" from page 100

→ 3.1.6 "Window handles – geared-handle, lockable, 100 Nm" from page 101

AL T connector set	Coupling point, 10 mm	2	M5x12	10 Piece(s)	728981

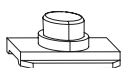


### 8.2.21.2.3 Espagnolette support



Espagnolette support	For Roto Line AL geared-handle	13.5	100 Piece(s)	331937

### 8.2.21.2.4 Connector bolt, insertable



Insertable connector bolt	For Roto Line AL geared-handle	100 Piece(s)	254601

## Roto Patio Inowa







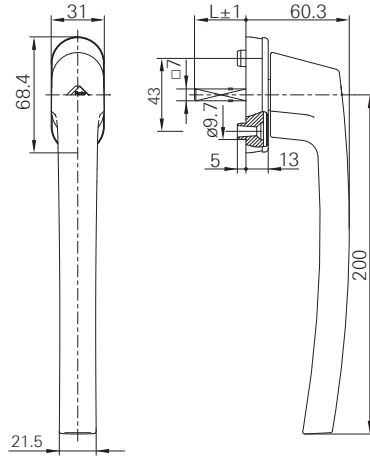
Roto Line

Sliding door handles – interior handles; 200 mm	242
Sliding door handles – interior handles, 200 mm, lockable 100 Nm	243
Handle set with escutcheon version; 200 mm	245
Sliding door handles – interior handles; 200 mm – push-to-open	246
Sliding door handles – exterior recessed grip	247

## 9 Roto Patio Inowa

### 9.1 Roto Line

#### 9.1.1 Sliding door handles – interior handles; 200 mm












#### Product description

- Basic handle without additional functions
- Lock-in position 180°
- Ten-year performance warranty
- Classification in accordance with DIN EN 13126-3

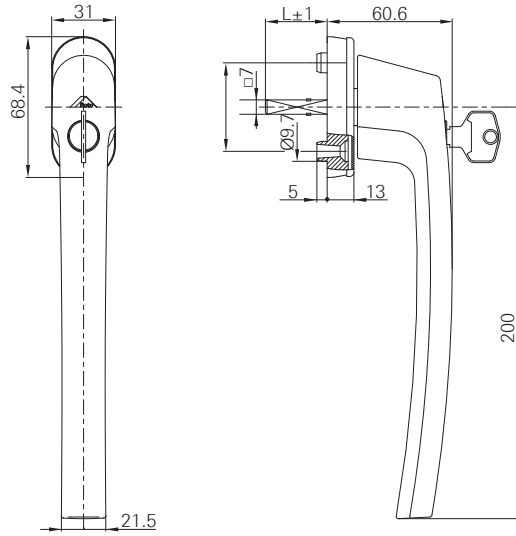
#### Scope of delivery

- 1 handle
- 2 fixing screws, can be shortened

								
43	R01.1	Natural silver	anod.	Y	2	M5x50	1 Piece(s)	799005 <input type="checkbox"/>
	R06.2M	Jet black, matt	powd-c	Y	2	M5x50	1 Piece(s)	798990 <input type="checkbox"/>
	R07.2	Traffic white	powd-c	Y	2	M5x50	1 Piece(s)	798991 <input type="checkbox"/>



### 9.1.2 Sliding door handles – interior handles, 200 mm, lockable 100 Nm



#### Product description

- Lockable handle with tested torque 100 Nm
- Closure: push cylinder with reversible key
- Simple and quick locking by pressing the cylinder
- Meets the requirements of DIN EN 1627-1630, RC 1 - RC 6
- 90° lock-in position
- Ten-year performance warranty
- Classification in accordance with DIN EN 13126-3

#### Scope of delivery









- 1 handle
- 1 key
- 2 fixing screws, can be shortened



#### INFO

Further information on lockable handles → *from page 21.*

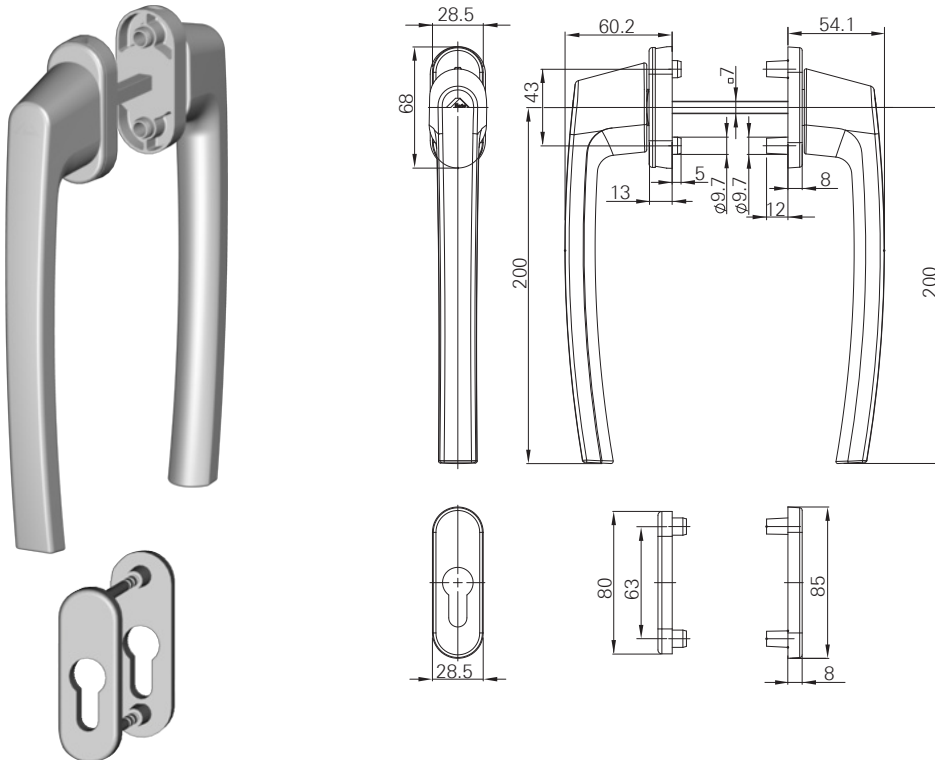
24	R01.1	Natural silver	anod.	Y	2	M5x30	1 Piece(s)	815217	<input type="checkbox"/>
	R01.5	Silver	anod.	Y	2	M5x30	1 Piece(s)	815218	<input type="checkbox"/>
	R06.2M	Jet black, matt	powd-c	Y	2	M5x30	1 Piece(s)	815219	<input type="checkbox"/>
	R07.2	Traffic white	powd-c	Y	2	M5x30	1 Piece(s)	815220	<input type="checkbox"/>
32	R01.1	Natural silver	anod.	Y	2	M5x40	1 Piece(s)	786719	<input type="checkbox"/>
	R01.2	Nickel silver	anod.	Y	2	M5x40	1 Piece(s)	786720	<input type="checkbox"/>
	R01.3	Titanium	anod.	Y	2	M5x40	1 Piece(s)	786732	<input type="checkbox"/>
	R01.5	Silver	powd-c	Y	2	M5x40	1 Piece(s)	786733	<input type="checkbox"/>
	R04.4	Black brown	powd-c	Y	2	M5x40	1 Piece(s)	796928	<input type="checkbox"/>
	R05.3	Medium bronze	anod.	Y	2	M5x40	1 Piece(s)	786397	<input type="checkbox"/>
	R05.4	Dark bronze	powd-c	Y	2	M5x40	1 Piece(s)	786398	<input type="checkbox"/>
	R05.5	Bronze	anod.	Y	2	M5x40	1 Piece(s)	787000	<input type="checkbox"/>
	R06.2M	Jet black, matt	powd-c	Y	2	M5x40	1 Piece(s)	787002	<input type="checkbox"/>
	R07.2	Traffic white	powd-c	Y	2	M5x40	1 Piece(s)	786399	<input type="checkbox"/>
R07.3	Cream	powd-c	Y	2	M5x40	1 Piece(s)	787001	<input type="checkbox"/>	

								Nº
37	R01.1	Natural silver	anod.	Y	2	M5x45	1 Piece(s)	780586 <input checked="" type="checkbox"/>
	R01.2	Nickel silver	anod.	Y	2	M5x45	1 Piece(s)	786396 <input checked="" type="checkbox"/>
	R01.3	Titanium	anod.	Y	2	M5x45	1 Piece(s)	780587 <input checked="" type="checkbox"/>
	R01.5	Silver	powd-c	Y	2	M5x45	1 Piece(s)	786734 <input checked="" type="checkbox"/>
	R04.4	Black brown	powd-c	Y	2	M5x45	1 Piece(s)	796929 <input checked="" type="checkbox"/>
	R05.3	Medium bronze	anod.	Y	2	M5x45	1 Piece(s)	780588 <input checked="" type="checkbox"/>
	R05.4	Dark bronze	powd-c	Y	2	M5x45	1 Piece(s)	780589 <input checked="" type="checkbox"/>
	R05.5	Bronze	anod.	Y	2	M5x45	1 Piece(s)	780590 <input checked="" type="checkbox"/>
	R06.2M	Jet black, matt	powd-c	Y	2	M5x45	1 Piece(s)	787003 <input checked="" type="checkbox"/>
	R07.2	Traffic white	powd-c	Y	2	M5x45	1 Piece(s)	780591 <input checked="" type="checkbox"/>
	R07.3	Cream	powd-c	Y	2	M5x45	1 Piece(s)	780592 <input checked="" type="checkbox"/>
43	R01.1	Natural silver	anod.	Y	2	M5x50	1 Piece(s)	780593 <input checked="" type="checkbox"/>
	R01.2	Nickel silver	anod.	Y	2	M5x45	1 Piece(s)	786730 <input checked="" type="checkbox"/>
	R01.3	Titanium	anod.	Y	2	M5x50	1 Piece(s)	780594 <input checked="" type="checkbox"/>
	R01.5	Silver	powd-c	Y	2	M5x50	1 Piece(s)	786755 <input checked="" type="checkbox"/>
	R02.2	Anthracite grey	powd-c	Y	2	M5x50	1 Piece(s)	820798 <input type="checkbox"/>
	R04.4	Black brown	powd-c	Y	2	M5x50	1 Piece(s)	796930 <input checked="" type="checkbox"/>
	R05.3	Medium bronze	anod.	Y	2	M5x50	1 Piece(s)	780595 <input checked="" type="checkbox"/>
	R05.4	Dark bronze	powd-c	Y	2	M5x50	1 Piece(s)	780596 <input checked="" type="checkbox"/>
	R05.5	Bronze	anod.	Y	2	M5x50	1 Piece(s)	780597 <input checked="" type="checkbox"/>
	R06.2M	Jet black, matt	powd-c	Y	2	M5x50	1 Piece(s)	787004 <input checked="" type="checkbox"/>
	R07.2	Traffic white	powd-c	Y	2	M5x50	1 Piece(s)	780598 <input checked="" type="checkbox"/>
R07.3	Cream	powd-c	Y	2	M5x50	1 Piece(s)	780599 <input checked="" type="checkbox"/>	





### 9.1.3 Handle set with escutcheon version; 200 mm



#### Product description

- Outside: standard handle securely pinned with profile cylinder escutcheon
- Inside: standard handle with profile cylinder escutcheon
- Handle length 200 mm
- Door leaf thickness: 78 - 98 mm
- Concealed screw fixing
- Lock-in position 90°
- Ten-year performance warranty

#### Scope of delivery

- 2 handles
- 2 profile cylinder escutcheons
- 4 fixing screws, can be shortened

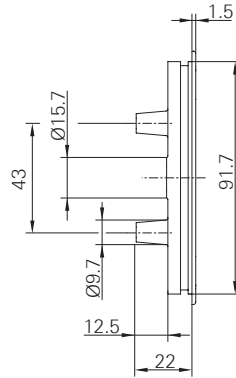
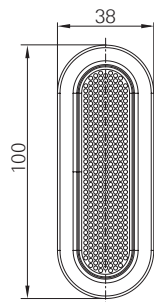
135	R01.1	Natural silver	anod.	Y	4	M5x110	1 Piece(s)	838659 <input type="checkbox"/>
	R06.2M	Jet black, matt	powd-c	Y	4	M5x110	1 Piece(s)	838658 <input type="checkbox"/>
	R07.2	Traffic white	powd-c	Y	4	M5x110	1 Piece(s)	838657 <input type="checkbox"/>







### 9.1.5 Sliding door handles – exterior recessed grip






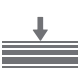




#### Product description

- Can be routed in
- Ten-year performance warranty

#### Scope of delivery

- 1 recessed grip

#### Recessed grip, deep

								Nº
43	R01.1	Natural silver	anod.	N	-	-	10 Piece(s)	820028 <input type="checkbox"/>
	R01.2	Nickel silver	anod.	N	-	-	10 Piece(s)	820029 <input type="checkbox"/>
	R01.3	Titanium	anod.	N	-	-	10 Piece(s)	820030 <input type="checkbox"/>
	R01.5	Silver	powd-c	N	-	-	10 Piece(s)	820031 <input type="checkbox"/>
	R05.3	Medium bronze	anod.	N	-	-	10 Piece(s)	820033 <input type="checkbox"/>
	R05.4	Dark bronze	powd-c	N	-	-	10 Piece(s)	820034 <input type="checkbox"/>
	R05.5	Bronze	anod.	N	-	-	10 Piece(s)	820055 <input type="checkbox"/>
	R06.2M	Jet black, matt	powd-c	N	-	-	10 Piece(s)	820070 <input type="checkbox"/>
	R07.2	Traffic white	powd-c	N	-	-	10 Piece(s)	820057 <input type="checkbox"/>
	R07.3	Cream	powd-c	N	-	-	10 Piece(s)	820058 <input type="checkbox"/>
R00.0	Uncoated	-	N	-	-	10 Piece(s)	820059 <input type="checkbox"/>	



## Roto Patio Inline







**Roto Line**

Possible combination	252
Sliding handle windows and doors – interior handle	253
Sliding handle windows and doors – exterior handle	256
Accessories	260

**Roto Freestyle**

Window handles – pop-up	262
Window handles – pop-up, lockable	264
Window handles – retractable handle	265

# 10 Roto Inline

## 10.1 Roto Line

### 10.1.1 Possible combination








Roto Line sliding handles offer customers the greatest possible flexibility in use: three interior handle versions and four exterior handle versions can be combined according to customers' individual tastes. Every handle version is available in seven standard colours or uncoated. This allows different colours to be combined for inside and outside.

Roto Line sliding handles also impress with their optimised technology and the outstanding stability achieved by the metal operating lever.

Installation is simple: use the components from the accessory box to connect the interior handle to the exterior handle. For security purposes, the mount for the exterior handle is concealed to prevent the handle being removed.

You can use this three-part system for profile depths of 38–77 mm.

Different accessory boxes have to be used depending on the required handle combination:

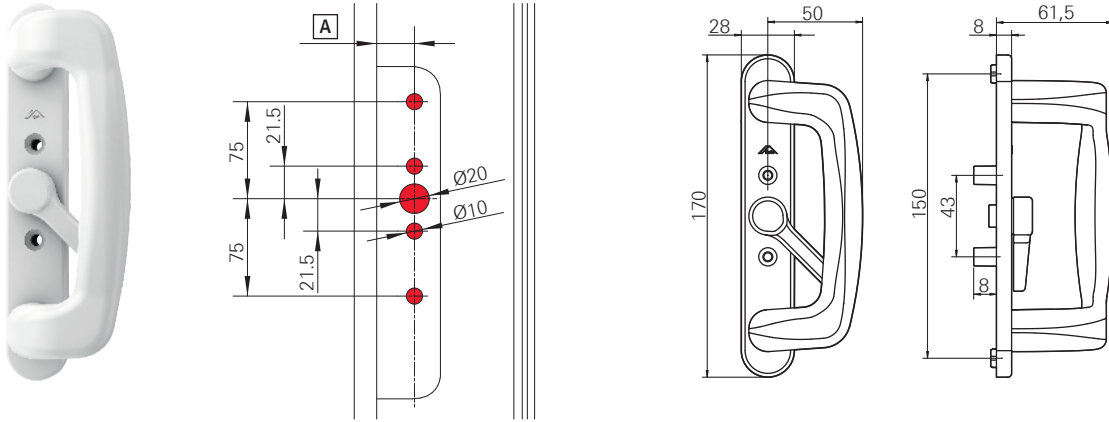
Interior handle / exterior handle			
	→ 10.1.4.1 "Accessory box type 1" from page 260	→ 10.1.4.1 "Accessory box type 1" from page 260	→ 10.1.4.1 "Accessory box type 1" from page 260
	→ 10.1.4.2 "Accessory box type 2" from page 261	→ 10.1.4.2 "Accessory box type 2" from page 261	→ 10.1.4.2 "Accessory box type 2" from page 261
	→ 10.1.4.2 "Accessory box type 2" from page 261	→ 10.1.4.2 "Accessory box type 2" from page 261	→ 10.1.4.2 "Accessory box type 2" from page 261
	–	–	→ 10.1.4.3 "Accessory box type 3" from page 261





## 10.1.2 Sliding handle windows and doors – interior handle

Without cylinder with lever



Assignment	Meaning
[A]	Backset



### Product description

- Short plate
- Simple locking via lever

### Scope of delivery

- 1 window handle
- Without fixing screws

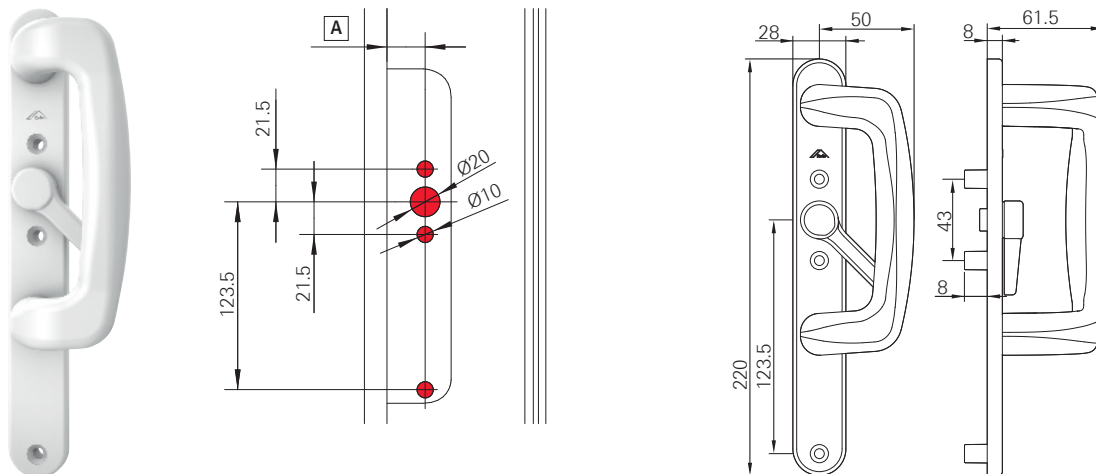
							N <sup>o</sup>
R01.5	Silver	powd-c	Y	-	-	1 Piece(s)	613222 <input type="checkbox"/>
R03.2	Gold	galvanised	Y	-	-	1 Piece(s)	613223 <input type="checkbox"/>
R04.1	Grey brown	powd-c	Y	-	-	1 Piece(s)	613224 <input type="checkbox"/>
R06.2	Jet black	powd-c	Y	-	-	1 Piece(s)	613225 <input type="checkbox"/>
R07.2	Traffic white	powd-c	Y	-	-	1 Piece(s)	613226 <input type="checkbox"/>
R07.3	Cream	powd-c	Y	-	-	1 Piece(s)	613227 <input type="checkbox"/>
R00.0	Uncoated	-	Y	-	-	1 Piece(s)	613228 <input type="checkbox"/>



### INFO

The uncoated handle is not supplied assembled.

**Without cylinder with lever and long plate**



Assignment	Meaning
[A]	Backset










**Product description**

- Long plate
- Simple locking via lever

**Scope of delivery**

- 1 window handle
- Without fixing screws

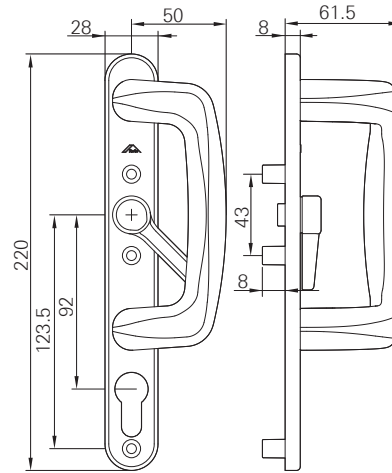
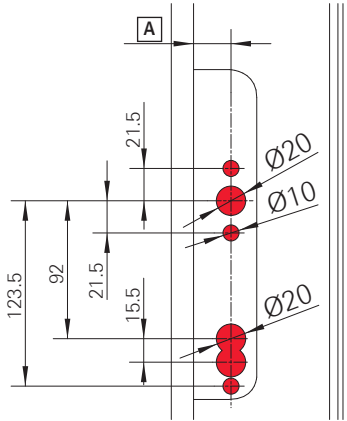
							Nº
R01.5	Silver	powd-c	Y	-	-	1 Piece(s)	613230 <input type="checkbox"/>
R04.1	Grey brown	powd-c	Y	-	-	1 Piece(s)	613232 <input type="checkbox"/>
R06.2	Jet black	powd-c	Y	-	-	1 Piece(s)	613233 <input type="checkbox"/>
R07.2	Traffic white	powd-c	Y	-	-	1 Piece(s)	613234 <input type="checkbox"/>

**INFO**

The uncoated handle is not supplied assembled.



**With cylinder and lever**



Assignment	Meaning
[A]	Backset



**Product description**

- Long plate
- Simple locking via lever
- Designed for profile cylinders

**Scope of delivery**

- 1 window handle
- Without fixing screws



**INFO**

Profile cylinder is not included in the scope of delivery.

							N <sup>o</sup>
R01.5	Silver	powd-c	Y	-	-	1 Piece(s)	613239 <input type="checkbox"/>
R04.1	Grey brown	powd-c	Y	-	-	1 Piece(s)	613241 <input type="checkbox"/>
R06.2	Jet black	powd-c	Y	-	-	1 Piece(s)	613242 <input type="checkbox"/>
R07.2	Traffic white	powd-c	Y	-	-	1 Piece(s)	613243 <input type="checkbox"/>
R07.3	Cream	powd-c	Y	-	-	1 Piece(s)	613244 <input type="checkbox"/>
R00.0	Uncoated	-	Y	-	-	1 Piece(s)	613245 <input type="checkbox"/>

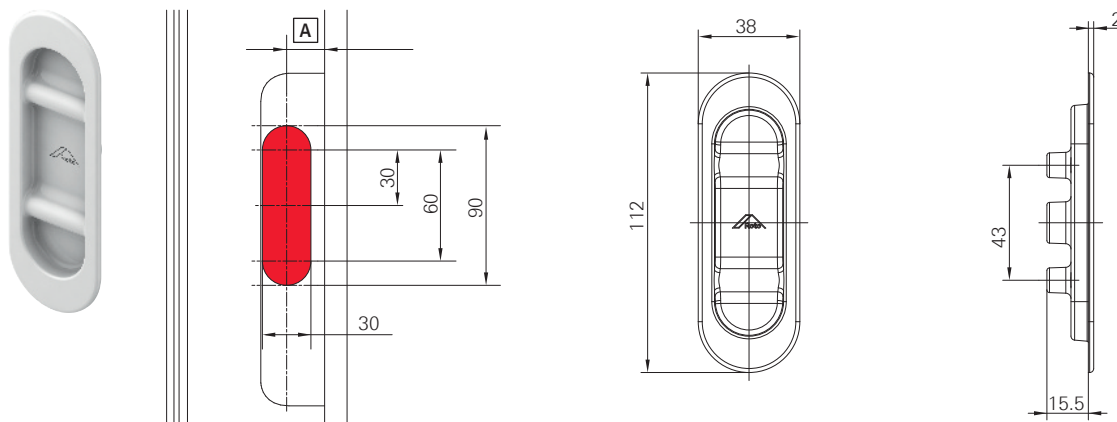


**INFO**

The uncoated handle is not supplied assembled.

### 10.1.3 Sliding handle windows and doors – exterior handle

#### Recessed grip



Assignment	Meaning
[A]	Backset










#### Product description

- Exterior handle
- Screw fixing with interior handle

#### Scope of delivery

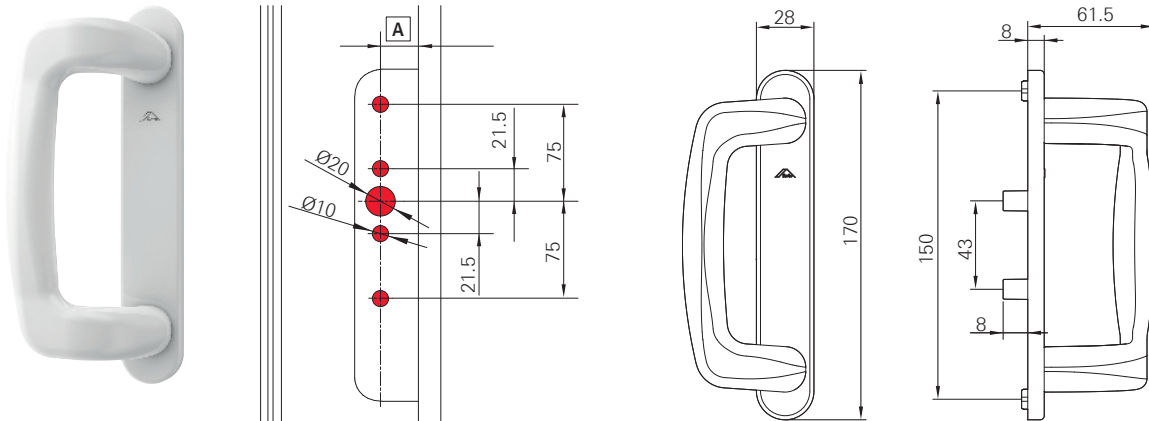
- 1 recessed grip
- Without fixing screws

							N <sup>o</sup>
R01.5	Silver	powd-c	Y	-	-	1 Piece(s)	613183 <input type="checkbox"/>
R03.2	Gold	galvanised	Y	-	-	1 Piece(s)	613184 <input type="checkbox"/>
R04.1	Grey brown	powd-c	Y	-	-	1 Piece(s)	613185 <input type="checkbox"/>
R06.2	Jet black	powd-c	Y	-	-	1 Piece(s)	605551 <input type="checkbox"/>
R07.2	Traffic white	powd-c	Y	-	-	1 Piece(s)	605543 <input type="checkbox"/>
R07.3	Cream	powd-c	Y	-	-	1 Piece(s)	608183 <input type="checkbox"/>
R00.0	Uncoated	-	Y	-	-	1 Piece(s)	487261 <input type="checkbox"/>





**Without cylinder**



Assignment	Meaning
[A]	Backset



**Product description**

- Short plate

**Scope of delivery**

- 1 window handle
- Without fixing screws

							Nº
R01.5	Silver	powd-c	Y	-	-	1 Piece(s)	613187 <input type="checkbox"/>
R04.1	Grey brown	powd-c	Y	-	-	1 Piece(s)	613189 <input type="checkbox"/>
R06.2	Jet black	powd-c	Y	-	-	1 Piece(s)	613190 <input type="checkbox"/>
R07.2	Traffic white	powd-c	Y	-	-	1 Piece(s)	613191 <input type="checkbox"/>
R00.0	Uncoated	-	Y	-	-	1 Piece(s)	613193 <input type="checkbox"/>

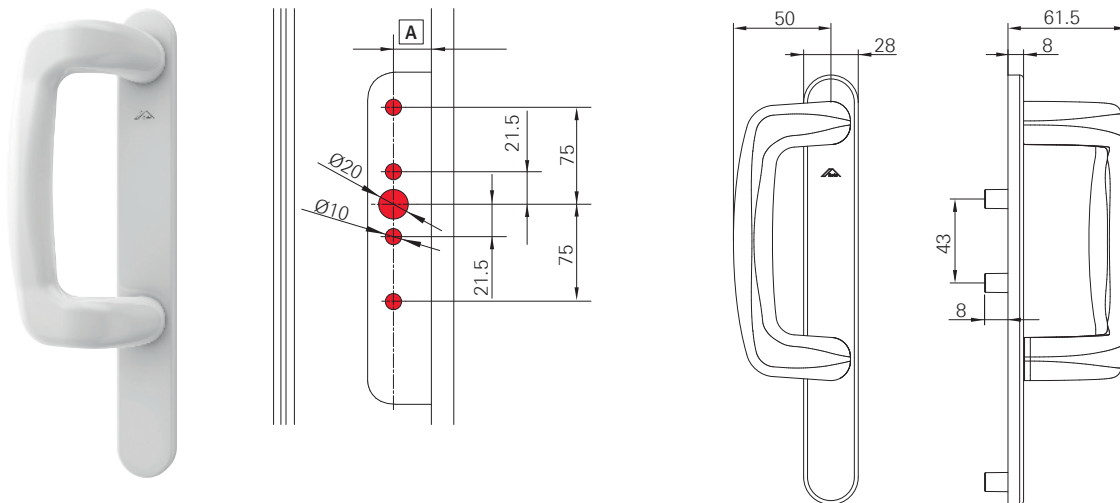


**INFO**

The uncoated handle is not supplied assembled.



**Without cylinder with long plate**



Assignment	Meaning
[A]	Backset






**Product description**

- Short plate

**Scope of delivery**

- 1 window handle
- Without fixing screws

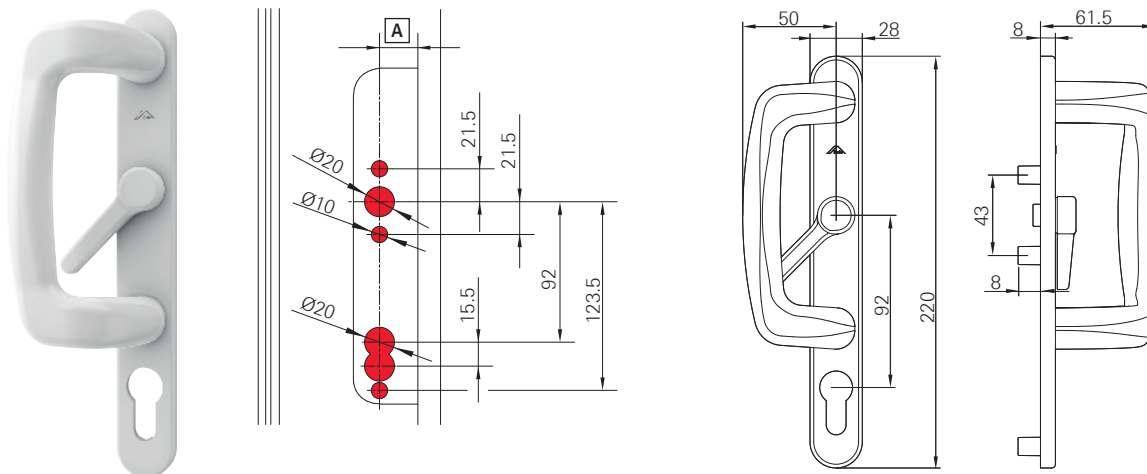
							<b>Nº</b>
R01.5	Silver	powd-c	Y	-	-	1 Piece(s)	613195 <input type="checkbox"/>
R04.1	Grey brown	powd-c	Y	-	-	1 Piece(s)	613197 <input type="checkbox"/>
R06.2	Jet black	powd-c	Y	-	-	1 Piece(s)	613198 <input type="checkbox"/>
R07.2	Traffic white	powd-c	Y	-	-	1 Piece(s)	613199 <input type="checkbox"/>

**INFO**

The uncoated handle is not supplied assembled.



**With cylinder and lever**



Assignment	Meaning
[A]	Backset



**Product description**

- Long plate
- Simple locking via lever
- Designed for profile cylinders

**Scope of delivery**

- 1 window handle
- Without fixing screws



**INFO**

Profile cylinder is not included in the scope of delivery.

							Nº
R01.5	Silver	powd-c	Y	-	-	1 Piece(s)	613203 <input type="checkbox"/>
R04.1	Grey brown	powd-c	Y	-	-	1 Piece(s)	613215 <input type="checkbox"/>
R06.2	Jet black	powd-c	Y	-	-	1 Piece(s)	613216 <input type="checkbox"/>
R07.2	Traffic white	powd-c	Y	-	-	1 Piece(s)	613217 <input type="checkbox"/>
R07.3	Cream	powd-c	Y	-	-	1 Piece(s)	613218 <input type="checkbox"/>
R00.0	Uncoated	-	Y	-	-	1 Piece(s)	613219 <input type="checkbox"/>

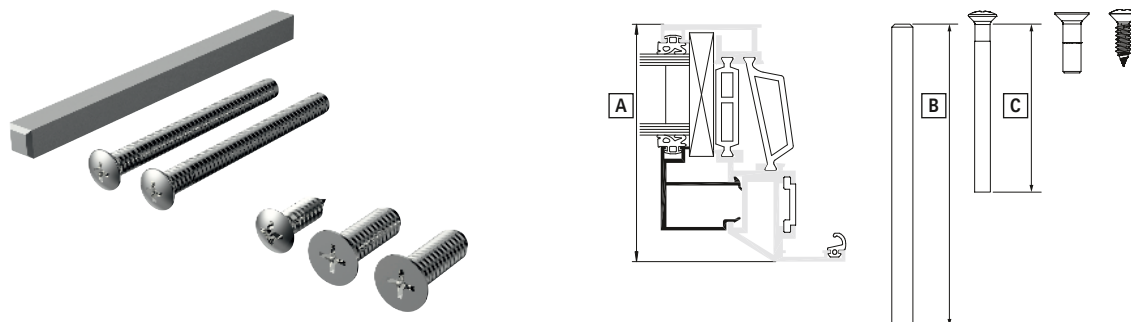


**INFO**

The uncoated handle is not supplied assembled.



## 10.1.4 Accessories



Assignment	Meaning
[A]	Sash profile depth (example AL)
[B]	Length 1 (spindle)
[C]	Length 2 (countersunk head screws)



### Product description

- Accessory parts to connect outside and inside handles

### Delivery scope type 1

- 1 spindle
- 2 countersunk head screws; screw connection of inside handle and outside handle
- 1 pan-head tapping screw; bottom screw hole, if long and short handle have to be combined (no screw hole on the opposite side).
- 2 countersunk screws; fastening the pull handle to the plate.









### Delivery scope type 2

- 1 spindle
- 3 countersunk head screws; screw connection of inside handle and outside handle
- 1 pan-head tapping screw; bottom screw hole, if long and short handle have to be combined (no screw hole on the opposite side).
- 4 countersunk screws; fastening the pull handle to the plate.

### Delivery scope type 3

- 1 spindle
- 3 countersunk head screws; screw connection of inside handle and outside handle
- 4 countersunk screws; fastening the pull handle to the plate.

### 10.1.4.1 Accessory box type 1







			N <sup>o</sup>
72 – 76		Length 1: 80 mm   Length 2: 75 mm	613168 
67 – 71		Length 1: 70 mm   Length 2: 70 mm	613169 
62 – 66		Length 1: 70 mm   Length 2: 65 mm	613170 
67 – 61		Length 1: 60 mm   Length 2: 60 mm	613171 
51 – 56		Length 1: 60 mm   Length 2: 55 mm	613172 
46 – 50		Length 1: 50 mm   Length 2: 50 mm	613173 

Length 1 Square spindle [B]

Length 2 Raised countersunk head screws [C]






### 10.1.4.2 Accessory box type 2

		Nº
68 – 77	Length 1: 87 mm   Length 2: 80 mm	613174 
58 – 67	Length 1: 77 mm   Length 2: 70 mm	613175 
48 – 57	Length 1: 67 mm   Length 2: 60 mm	613176 
38 – 47	Length 1: 57 mm   Length 2: 50 mm	613177 

Length 1 Square spindle [B]

Length 2 Raised countersunk head screws [C]

### 10.1.4.3 Accessory box type 3

		Nº
68 – 77	Length 1: 100 mm   Length 2: 80 mm	613178 
58 – 67	Length 1: 90 mm   Length 2: 70 mm	613179 
48 – 57	Length 1: 80 mm   Length 2: 60 mm	613180 
38 – 47	Length 1: 70 mm   Length 2: 50 mm	613181 

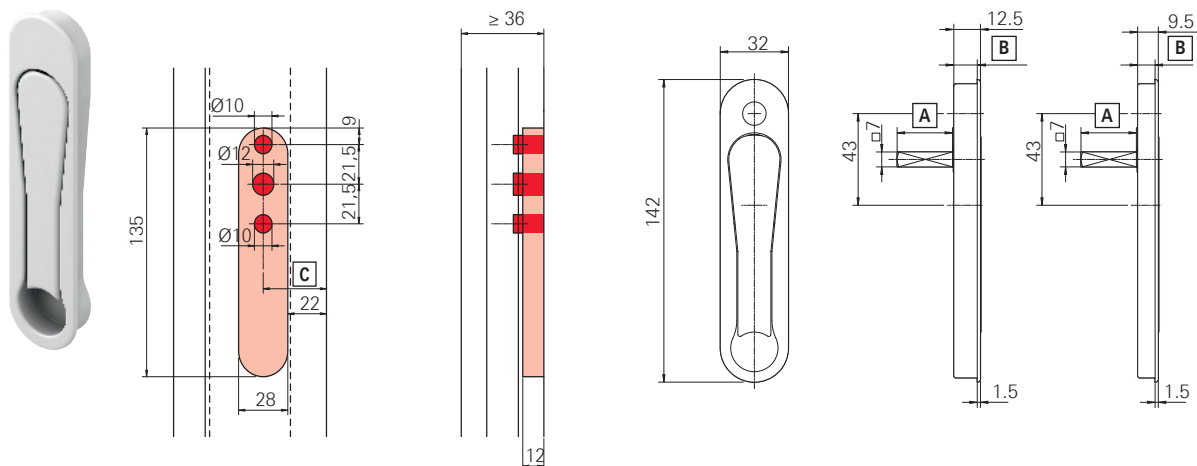
Length 1 Square spindle [B]

Length 2 Raised countersunk head screws [C]



## 10.2 Roto Freestyle

### 10.2.1 Window handles – pop-up



Assignment	Meaning
[A]	Spindle length
[B]	Depth
[C]	Backset



#### Product description

- Ideal solution when sliding sashes overlap
- Virtually flush with the surface of the profile
- Minimum effort required for turning
- Can be retracted into the original position
- Two versions: 8 mm or 11 mm deep for various thicknesses

#### Scope of delivery

- 1 window handle
- Without fixing screws

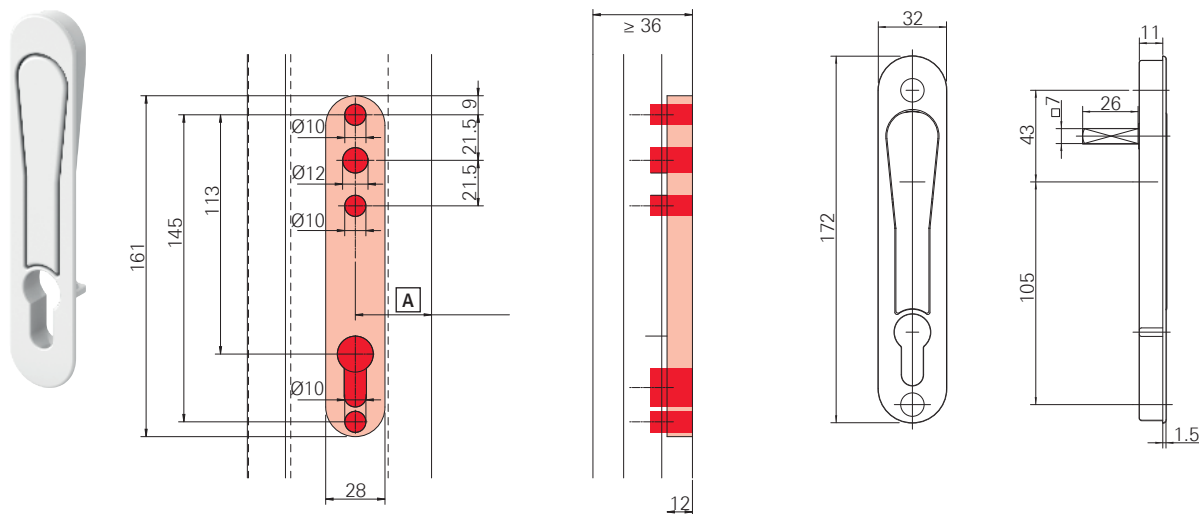
21.5	8	Roto	Jet black	powd-c	Y	#			Nº
		R06.2	Jet black	powd-c	Y	-	-	1 Piece(s)	637960
		R07.2	Traffic white	powd-c	Y	-	-	1 Piece(s)	637961
26.5		R01.1	Natural silver	galvanised	Y	-	-	1 Piece(s)	637963
		R06.2	Jet black	powd-c	Y	-	-	1 Piece(s)	614295
		R00.0	Uncoated	-	Y	-	-	1 Piece(s)	637965
		R07.2	Traffic white	powd-c	Y	-	-	1 Piece(s)	570810



									Nº
21	11	R06.2	Jet black	powd-c	Y	-	-	1 Piece(s)	535466 
		R07.2	Traffic white	powd-c	Y	-	-	1 Piece(s)	535465 
26		R04.1	Grey brown	powd-c	Y	-	-	1 Piece(s)	323277 
		R06.2	Jet black	powd-c	Y	-	-	1 Piece(s)	493898 
		R07.1	Pure white	powd-c	Y	-	-	1 Piece(s)	323275 
		R07.2	Traffic white	powd-c	Y	-	-	1 Piece(s)	312766 
		R07.3	Cream	powd-c	Y	-	-	1 Piece(s)	494495 
		R03.2	Gold	powd-c	Y	-	-	1 Piece(s)	323279 
		R03.4	Stainless-steel design	galvanised	Y	-	-	1 Piece(s)	323280 
		SF	Special colour	powd-c	Y	-	-	1 Piece(s)	494670 
		R00.0	Uncoated	-	Y	-	-	1 Piece(s)	312769 
45	R06.2	Jet black	powd-c	Y	-	-	1 Piece(s)	561198 	
	R03.2	Gold	powd-c	Y	-	-	1 Piece(s)	561196 	
	R03.4	Stainless-steel design	galvanised	Y	-	-	1 Piece(s)	561197 	



## 10.2.2 Window handles – pop-up, lockable



Assignment	Meaning
[A]	Backset



### Product description

- Ideal solution when two sliding sashes overlap
- Virtually flush with the surface of the profile
- Minimum effort required for turning
- Can be retracted into the original position

### Scope of delivery

- 1 window handle
- Without fixing screws



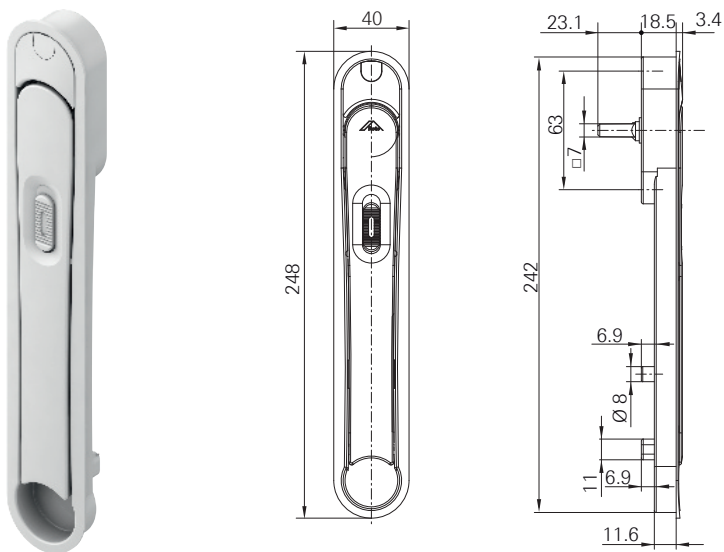
### INFO

Profile cylinder is not included in the scope of delivery.

26	Stainless-steel design	R03.4	galvanised	Y	-	-	1 Piece(s)	323287 <input type="checkbox"/>
	Traffic white	R07.2	powd-c	Y	-	-	1 Piece(s)	323282 <input type="checkbox"/>
	Grey brown	R04.1	powd-c	Y	-	-	1 Piece(s)	323283 <input type="checkbox"/>



### 10.2.3 Window handles – retractable handle



#### Product description

- Ideal solution when two sliding sashes overlap
- Virtually flush with the surface of the profile
- Minimum effort required for turning
- Can be retracted into the original position
- Patented mechanism

#### Scope of delivery

- 1 window handle
- Without fixing screws

20	R01.5	Silver	powd-c	Y	-	-	1 Piece(s)	489867 <input type="checkbox"/>
	R05.3	Medium bronze	galvanised	Y	-	-	1 Piece(s)	489866 <input type="checkbox"/>
	R05.4	Dark bronze	galvanised	Y	-	-	1 Piece(s)	489868 <input type="checkbox"/>
	R07.2	Traffic white	powd-c	Y	-	-	1 Piece(s)	489865 <input type="checkbox"/>



## Roto Safe







**Roto Line**

Door leaf thickness 56 – 70 mm	270
Door leaf thickness 58 – 62 mm	274
Door leaf thickness 87 – 92 mm	275
Door leaf thickness 97 – 107 mm	279

**Roto Samba**

Door leaf thickness 62 – 70 mm / 87 – 92 mm	281
---	-----

**Roto Freestyle**

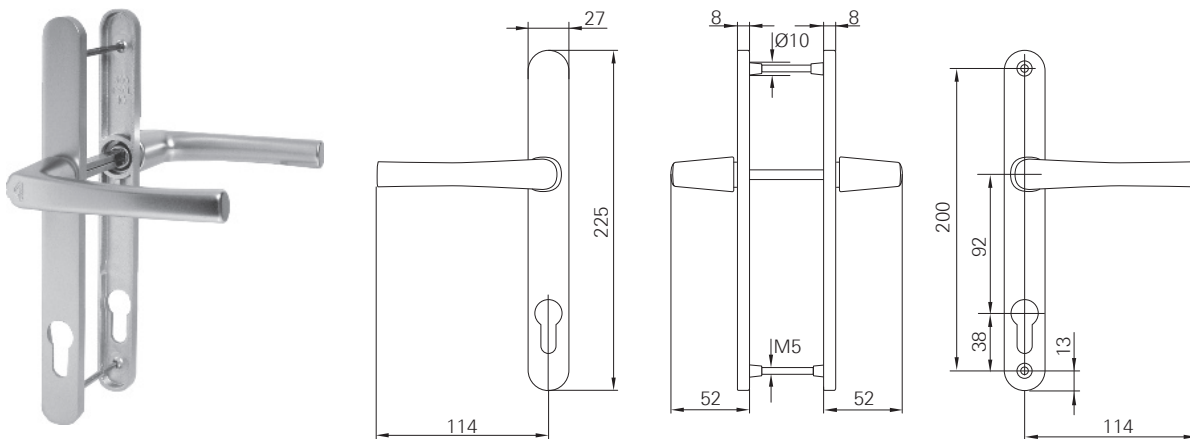
Door leaf thickness 67 – 97 mm	283
Door leaf thickness 60 – 70 mm	287

# 11 Roto Safe

## 11.1 Roto Line

### 11.1.1 Door leaf thickness 56 – 70 mm

#### 11.1.1.1 NDHS 27 x 225 mm



#### Product description

- Narrow door handle set (lever handle / lever handle)
- Profile cylinder hole
- Balcony doors and main doors

#### Scope of delivery

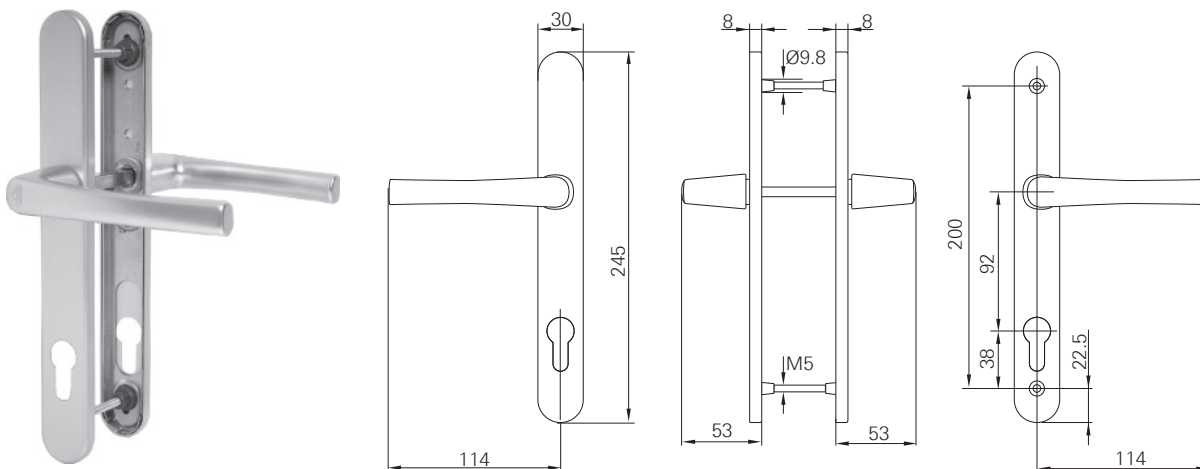
- 1 door handle set
- 1 square spindle: 8 mm
- 2 fixing screws

92	130	R01.4	-	Chromium	2	M5x90	10 Piece(s)	392252





### 11.1.1.2 NDHS 30 x 245 mm



#### Product description

- Narrow door handle set (lever handle / lever handle)
- Profile cylinder hole
- Balcony doors and main doors

#### Scope of delivery

- 1 door handle set
- 1 square spindle: 8 mm
- 4 fixing screws



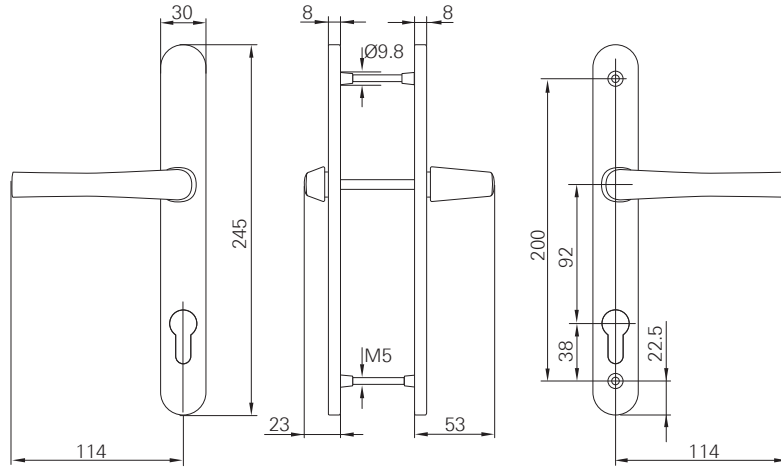
#### INFO

The uncoated door lever handle set does not come assembled.

92	130	R01.3	–	Titanium	2	M5x65 M5x75	36 Piece(s)	333215	
	130	R01.1	–	Natural silver	2	M5x65 M5x75	36 Piece(s)	319782	
	130	R03.3	–	Gold	2	M5x65 M5x75	36 Piece(s)	319953	
	130	R04.1	RAL 8019	Grey brown	2	M5x65 M5x75	36 Piece(s)	340317	
	130	R04.4	RAL 8022	Black brown	2	M5x65 M5x75	36 Piece(s)	730429	
	130	R05.5	–	Bronze	2	M5x65 M5x75	36 Piece(s)	553488	
	130	R06.4M	–	Black, matt	2	M5x65 M5x75	36 Piece(s)	319955	
	130	R07.2	RAL 9016	Traffic white	2	M5x65 M5x75	36 Piece(s)	319954	
	130	R07.3	RAL 9001	Cream	2	M5x65 M5x75	36 Piece(s)	340318	
	130	R00.0	–	Uncoated	2	M5x65 M5x75	30 Piece(s)	322928	



**11.1.1.3 Narrow door handle set 30 x 245 mm | Flat external lever handle**



**Product description**

- Narrow door handle set (lever handle / lever handle)  
Flat external lever handle
- For balcony doors with roller shutters, sun screen, blinds and insect screen

**Scope of delivery**

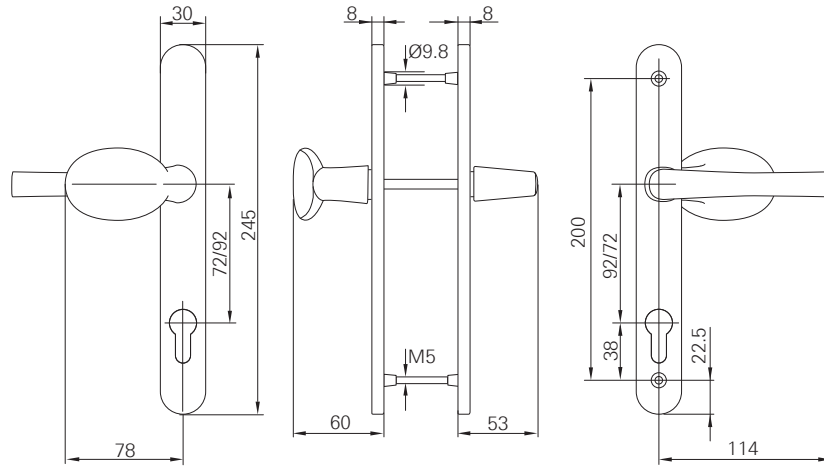
- 1 standard internal lever handle
- 1 flat external lever handle
- 1 square spindle: 8 mm
- 2 fixing screws

92	130	R01.3	-	Titanium	2	M5x80	36 Piece(s)	340493 <input type="checkbox"/>
	130	R01.1	-	Natural silver	2	M5x80	36 Piece(s)	337615 <input type="checkbox"/>
	130	R04.1	RAL 8019	Grey brown	2	M5x80	36 Piece(s)	501397 <input type="checkbox"/>
	130	R06.4M	-	Jet black, matt	2	M5x80	36 Piece(s)	337618 <input type="checkbox"/>
	130	R07.2	RAL 9016	Traffic white	2	M5x80	36 Piece(s)	337617 <input type="checkbox"/>
	130	R07.3	RAL 8022	Cream	2	M5x80	36 Piece(s)	346933 <input type="checkbox"/>





**11.1.1.4 Plate 30 x 245 mm**



**Product description**

- Combined knob and lever handle set (lever handle / knob)
  - Lever handle with fixed knob
- Profile cylinder hole
- Balcony doors and main doors

**Scope of delivery**

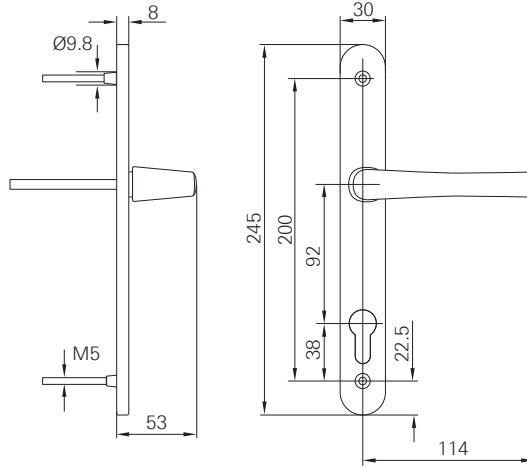
- 1 door handle set
- 1 square spindle: 8 mm
- 4 fixing screws

								<b>N<sup>o</sup></b>
92	90	R01.3	-	Titanium	2	M5x65 M5x75	10 Piece(s)	340486 <input type="checkbox"/>
	90	R01.1	-	Natural silver	2	M5x65 M5x75	10 Piece(s)	340320 <input type="checkbox"/>
	90	R04.1	RAL 8019	Grey brown	2	M5x65 M5x75	10 Piece(s)	340322 <input type="checkbox"/>
	90	R06.2	RAL 9005	Jet black	2	M5x65 M5x75	10 Piece(s)	340485 <input type="checkbox"/>
	90	R07.2	RAL 9016	Traffic white	2	M5x65 M5x75	10 Piece(s)	340484 <input type="checkbox"/>



## 11.1.2 Door leaf thickness 58 – 62 mm

### 11.1.2.1 Plate 30 x 245 mm



#### Product description

- Half-set
- Profile cylinder hole
- Balcony doors and main doors

#### Scope of delivery

- 1 door handle (interior)
- 1 square spindle: 8 mm
- 2 fixing screws

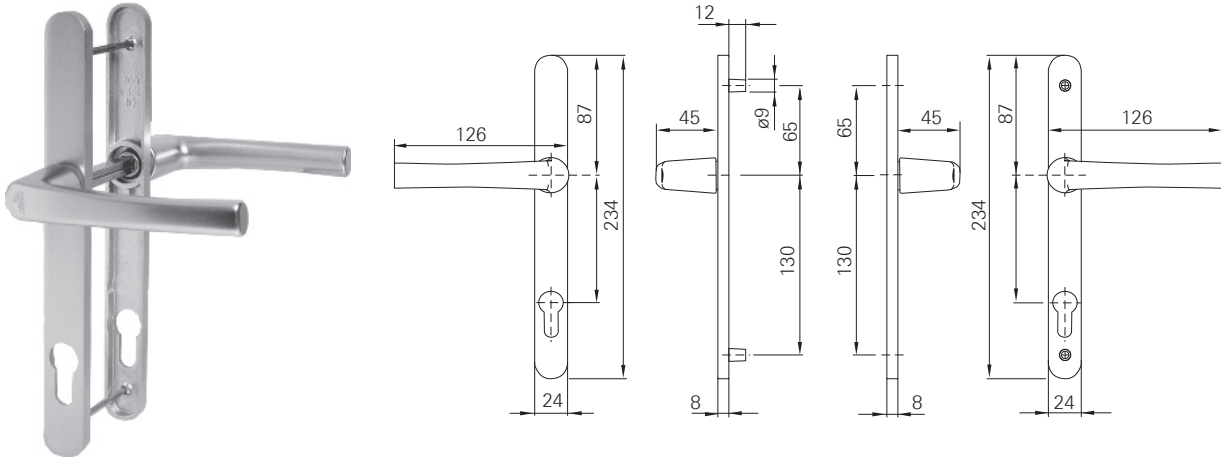
92	80	R01.3	–	Titanium	2	M5x70	72 Piece(s)	333216
	80	R01.1	–	Natural silver	2	M5x70	72 Piece(s)	337620
	80	R04.1	RAL 8019	Black brown	2	M5x70	72 Piece(s)	346931
	80	R06.4M	–	Black, matt	2	M5x70	72 Piece(s)	337623
	80	R07.2	RAL 9016	Traffic white	2	M5x70	72 Piece(s)	337622
	80	R07.3	RAL 9001	Cream	2	M5x70	72 Piece(s)	346932





### 11.1.3 Door leaf thickness 87 – 92 mm

#### 11.1.3.1 Plate 24 x 234 mm



#### Product description

- Narrow door handle set (lever handle / lever handle)
- Square spindle also suitable for door leaf thickness of 76 – 82 mm (can be shortened)
- Profile cylinder hole
- Balcony doors and main doors

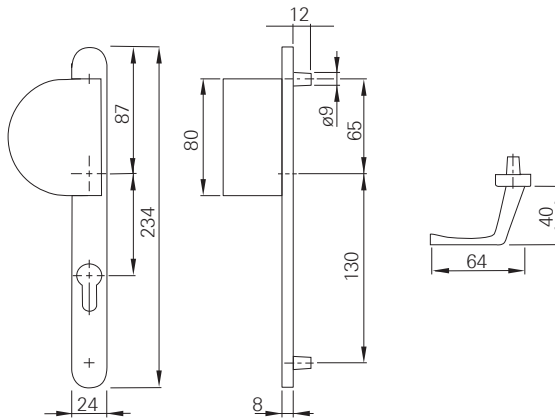
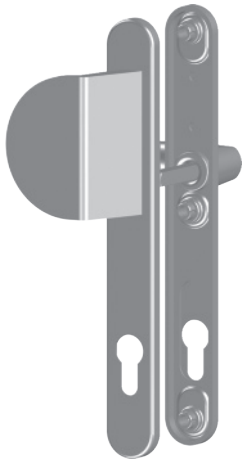
#### Scope of delivery

- 1 door handle set
- 1 square spindle: 8 mm
- 4 fixing screws

92	140	R01.1	–	Natural silver	2	M4x100 M4x90	200 Piece(s)	788613 <input checked="" type="checkbox"/>
	140	R01.3	–	Titanium	2	M4x100 M4x90	200 Piece(s)	820737 <input type="checkbox"/>



**11.1.3.2 Plate 24 x 234 mm**



**Product description**

- Combined knob and lever handle set (lever handle / knob)  
Lever handle with fixed knob
- Square spindle also suitable for door leaf thickness of 76 – 82 mm (can be shortened)
- Profile cylinder hole
- Balcony doors and main doors

**Scope of delivery**

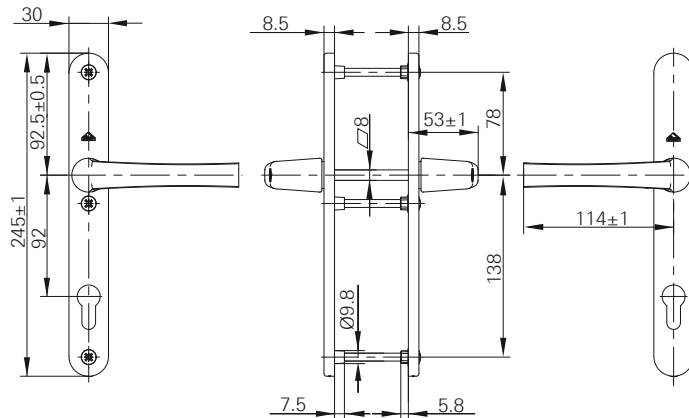
- 1 door handle set
- 1 square spindle: 8 mm
- 4 fixing screws

								<b>Nº</b>
92	90	R01.1	-	Natural silver	2	M4x100 M4x90	200 Piece(s)	788614 <input checked="" type="checkbox"/>
92	90	R01.3	-	Titanium	2	M4x100 M4x90	200 Piece(s)	820738 <input type="checkbox"/>





### 11.1.3.3 Plate 30 x 245 mm



#### Product description

- Narrow door handle set (lever handle / lever handle)
- Profile cylinder hole
- Balcony doors and main doors

#### Scope of delivery

- 1 door handle set
- 1 square spindle: 8 mm
- 3 fixing screws

92	160	R01.3	–	Titanium	3	M6x100	36 Piece(s)	625036 <input type="checkbox"/>
	160	R01.1	–	Natural silver	3	M6x100	36 Piece(s)	629854 <input type="checkbox"/>
	160	R04.1	RAL 8019	Grey brown	3	M6x100	36 Piece(s)	627767 <input type="checkbox"/>
	160	R04.4	RAL 8022	Black brown	3	M6x100	36 Piece(s)	798256 <input type="checkbox"/>
	160	–	RAL 8077	Dark brown	3	M6x100	36 Piece(s)	771400 <input type="checkbox"/>
	160	R05.3	–	Medium bronze	3	M6x100	36 Piece(s)	632054 <input type="checkbox"/>
	160	R05.5	–	Bronze	3	M6x100	36 Piece(s)	627769 <input type="checkbox"/>
160	R07.2	RAL 9016	Traffic white	3	M6x100	36 Piece(s)	627766 <input type="checkbox"/>	

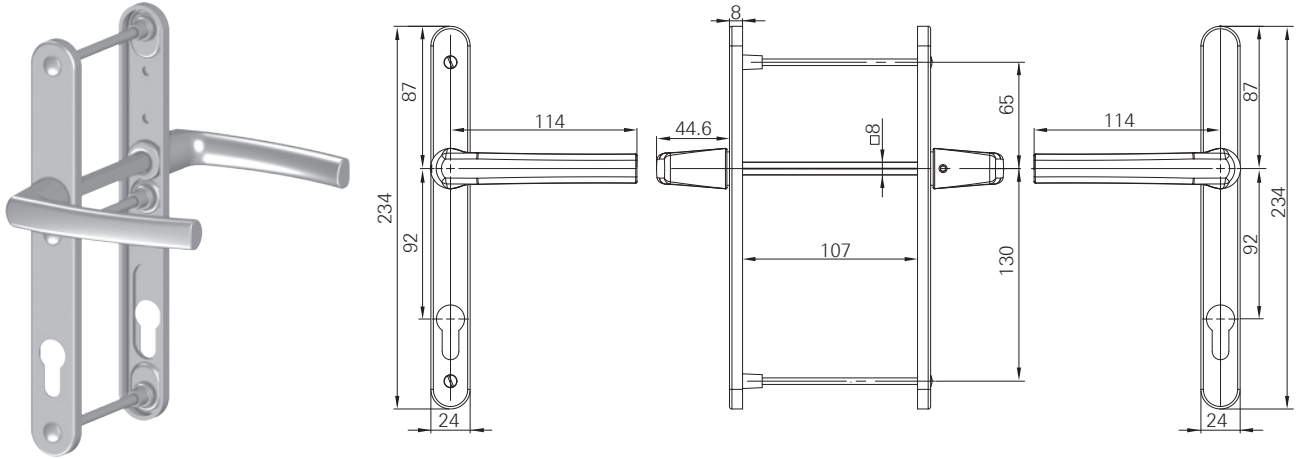






## 11.1.4 Door leaf thickness 97 – 107 mm

### 11.1.4.1 Plate 24 x 234 mm



#### Product description

- Narrow door handle set (lever handle / lever handle)
- Profile cylinder hole
- Balcony doors and main doors

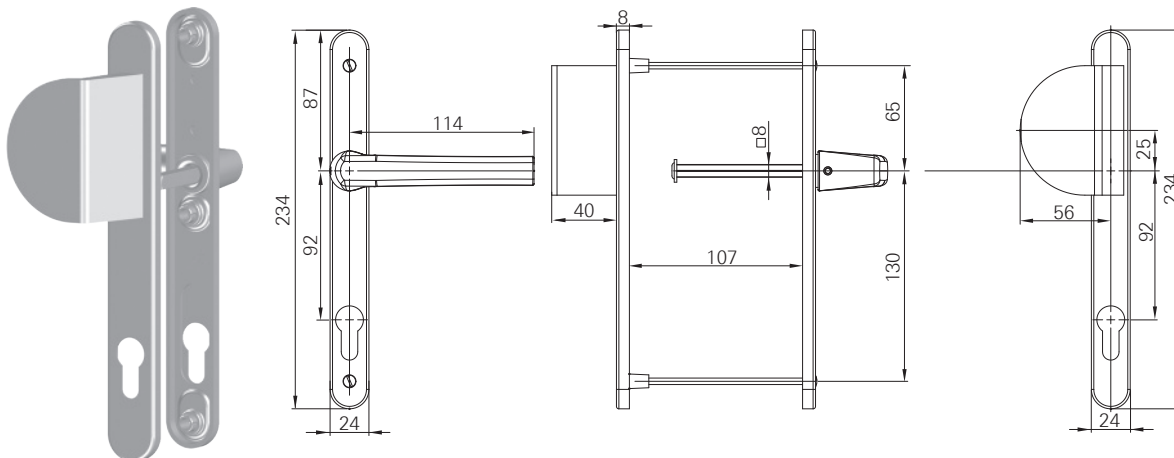
#### Scope of delivery

- 1 door handle set
- 1 square spindle: 8 mm
- 2 fixing screws

92	R01.3	–	Titanium	2	M4x110	200 Piece(s)	815063 <input type="checkbox"/>
92	R01.1	–	Natural silver	2	M4x110	200 Piece(s)	815061 <input type="checkbox"/>



**11.1.4.2 Plate 24 x 234 mm**



**Product description**

- Narrow door handle set (lever handle / knob)
- Profile cylinder hole
- Balcony doors and main doors

**Scope of delivery**

- 1 door handle set
- 1 square spindle: 8 mm
- 2 fixing screws

								<b>Nº</b>
92	R01.3	-	Titanium	2	M4x110	200 Piece(s)	815062 <input type="checkbox"/>	
92	R01.1	-	Natural silver	2	M4x110	200 Piece(s)	815060 <input type="checkbox"/>	

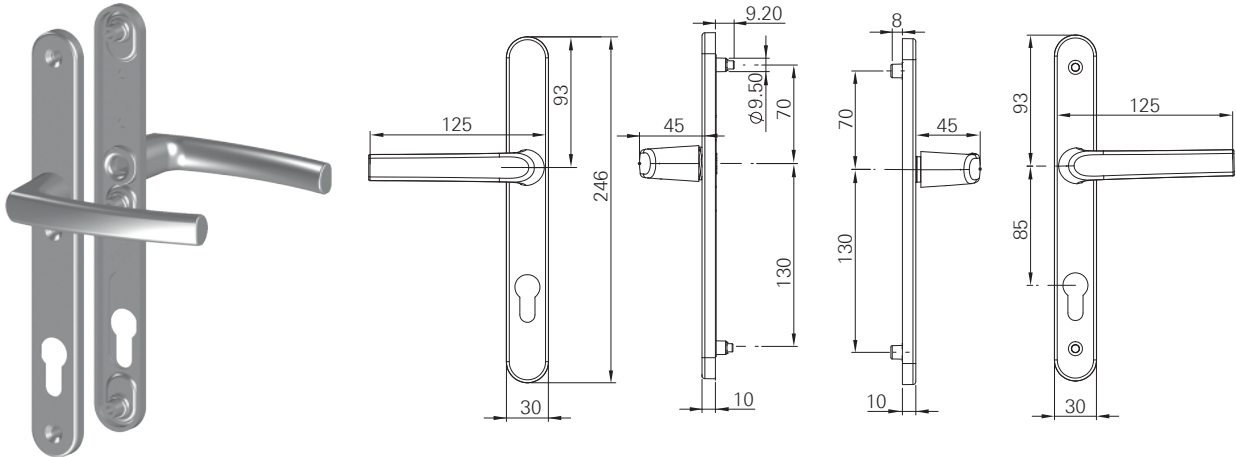




## 11.2 Roto Samba

### 11.2.1 Door leaf thickness 62 – 70 mm / 87 – 92 mm

#### 11.2.1.1 Plate 30 x 246 mm



#### Product description

- Narrow door handle set (lever handle / lever handle)
- Profile cylinder hole
- Balcony and main doors

#### Scope of delivery

- 1 door handle set
  - 2 square spindles
- Door leaf thickness 62 - 70 mm: 8 x 115 mm  
Door leaf thickness 87 - 92 mm: 8 x 140 mm
- 4 fixing screws

85	R01.1	–	Natural silver	2	M5x75 M5x95	20 Piece(s)	800289
	R01.2	–	Nickel silver	2	M5x75 M5x95	20 Piece(s)	800290
	R01.3	–	Titanium	2	M5x75 M5x95	20 Piece(s)	800291
	R03.1	–	Brass matt	2	M5x75 M5x95	20 Piece(s)	800292
	R04.4	RAL 8022	Black brown	2	M5x75 M5x95	20 Piece(s)	800288
	R05.3	–	Medium bronze	2	M5x75 M5x95	20 Piece(s)	800293
	R07.2	RAL 9016	Traffic white	2	M5x75 M5x95	20 Piece(s)	800287



							<b>Nº</b>
92	R01.1	–	Natural silver	2	M5x75 M5x95	20 Piece(s)	798946 
	R01.2	–	Nickel silver	2	M5x75 M5x95	20 Piece(s)	798947 
	R01.3	–	Titanium	2	M5x75 M5x95	20 Piece(s)	798948 
	R03.1	–	Brass matt	2	M5x75 M5x95	20 Piece(s)	798949 
	R04.4	RAL 8022	Black brown	2	M5x75 M5x95	20 Piece(s)	798951 
	R05.5	–	Bronze	2	M5x75 M5x95	20 Piece(s)	798950 
	R07.2	RAL 9016	Traffic white	2	M5x75 M5x95	20 Piece(s)	798945 



**INFO**

When using a 8 x 115 square spindle, use M5 x 75 screws.

When using a 8 x 140 square spindle, use M5 x 95 screws.





## 11.3 Roto Freestyle

### 11.3.1 Door leaf thickness 67 – 97 mm

#### 11.3.1.1 Plate 30 x 247 mm | Half-set on the inside (lever handle)



#### Product description






- Half-set (lever handle on the inside)
- Profile cylinder hole

Can be combined with half-set with lever handle on the outside or half-set with knob on the outside

- Balcony and main doors

#### Scope of delivery

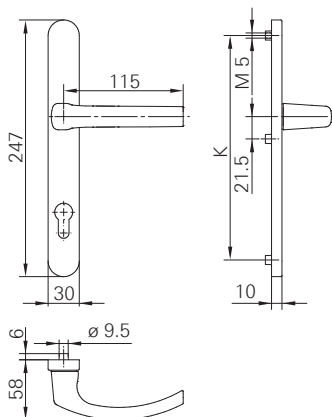
- 1 door handle

					N <sup>o</sup>
92	R07.2	RAL 9016	Traffic white	72 Piece(s)	765921 <input type="checkbox"/>
	R04.1	RAL 8019	Grey brown	72 Piece(s)	765922 <input type="checkbox"/>
	R02.2	RAL 7016	Anthracite grey	72 Piece(s)	765923 <input type="checkbox"/>
	-	RAL 8077	Dark brown	72 Piece(s)	765924 <input type="checkbox"/>
	-	RAL 9006	White aluminium	72 Piece(s)	766015 <input type="checkbox"/>
	-	RAL 9007	Grey aluminium	72 Piece(s)	766016 <input type="checkbox"/>
	-	RAL 1036	Pearl gold	72 Piece(s)	766017 <input type="checkbox"/>



Accessory set → *from page 286*

### 11.3.1.2 Plate 30 x 247 mm | Half-set on the outside (lever handle)








#### Product description

- Half-set (lever handle on the outside)
- Profile cylinder hole
- Can be combined with half-set with lever handle on the inside
- Balcony and main doors

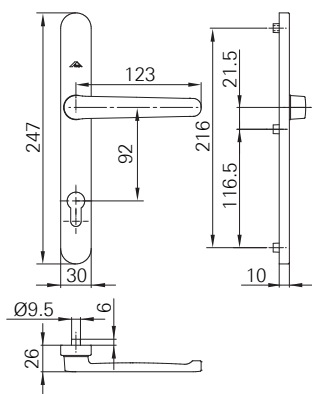
#### Scope of delivery

- 1 door handle

					N <sup>o</sup>
92	R07.2	RAL 9016	Traffic white	72 Piece(s)	764758 <input type="checkbox"/>
	R04.1	RAL 8019	Grey brown	72 Piece(s)	764759 <input type="checkbox"/>
	R02.2	RAL 7016	Anthracite grey	72 Piece(s)	764760 <input type="checkbox"/>
	–	RAL 8077	Dark brown	72 Piece(s)	764761 <input type="checkbox"/>
	–	RAL 9006	White aluminium	72 Piece(s)	764762 <input type="checkbox"/>
	–	RAL 9007	Grey aluminium	72 Piece(s)	764763 <input type="checkbox"/>
	–	RAL 1036	Pearl gold	72 Piece(s)	764764 <input type="checkbox"/>

Accessory set → *from page 286*

### 11.3.1.3 Plate 30 x 247 mm | Half-set on the outside (flat lever handle)



#### Product description

- Half-set (lever handle on the outside)
- Profile cylinder hole
- Can be combined with half-set with lever handle on the inside
- Balcony doors with roller shutters, sun screen, blinds and insect screen

#### Scope of delivery

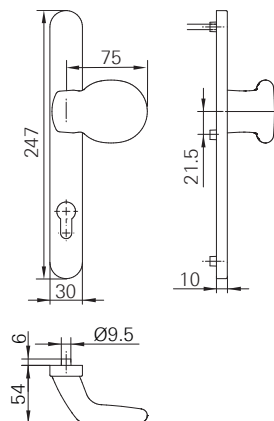
- 1 door handle



					N <sup>o</sup>
92	R07.2	RAL 9016	Traffic white	72 Piece(s)	821386 <input type="checkbox"/>
	R04.1	RAL 8019	Grey brown	72 Piece(s)	821387 <input type="checkbox"/>
	R02.2	RAL 7016	Anthracite grey	72 Piece(s)	821388 <input type="checkbox"/>
	–	RAL 8077	Dark brown	72 Piece(s)	821389 <input type="checkbox"/>
	–	RAL 9006	White aluminium	72 Piece(s)	821430 <input type="checkbox"/>
	–	RAL 9007	Grey aluminium	72 Piece(s)	821431 <input type="checkbox"/>
	–	RAL 1036	Pearl gold	72 Piece(s)	821432 <input type="checkbox"/>

Accessory set → *from page 286*

### 11.3.1.4 Plate 30 x 247 mm | Half-set on the outside (knob)



#### Product description

- Half-set (knob on the outside)
- Profile cylinder hole
- Can be combined with half-set with lever handle on the inside
- Balcony and main doors

#### Scope of delivery

- 1 door handle

					N <sup>o</sup>
92	R07.2	RAL 9016	Traffic white	72 Piece(s)	764795 <input type="checkbox"/>
	R04.1	RAL 8019	Grey brown	72 Piece(s)	764796 <input type="checkbox"/>
	R02.2	RAL 7016	Anthracite grey	72 Piece(s)	764797 <input type="checkbox"/>
	–	RAL 8077	Dark brown	72 Piece(s)	764798 <input type="checkbox"/>
	–	RAL 9006	White aluminium	72 Piece(s)	764799 <input type="checkbox"/>
	–	RAL 9007	Grey aluminium	72 Piece(s)	764800 <input type="checkbox"/>
	–	RAL 1036	Pearl gold	72 Piece(s)	764801 <input type="checkbox"/>

Accessory set → *from page 286*







### 11.3.1.5 Accessory set





#### Scope of delivery

- 1 square spindle: 8 mm
- Screws: see tables





#### Door leaf thickness 67 - 72 mm

			Nº
100	2	M5x80	765624 





#### Door leaf thickness 67 - 77 mm

			Nº
130	2	M5x80	765621 





#### Door leaf thickness 72 - 82 mm

			Nº
110	2	M5x90	765685 





#### Door leaf thickness 77 - 87 mm

			Nº
140	2	M5x90	765622 





#### Door leaf thickness 82 - 92 mm

			Nº
120	2	M5x100	765686 

#### Door leaf thickness 87 - 97 mm

			Nº
150	2	M5x100	765623 

#### Door leaf thickness 92 - 97 mm

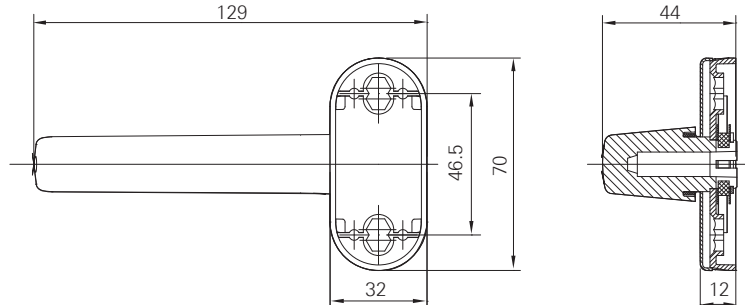
			Nº
130	2	M5x110	765687 





## 11.3.2 Door leaf thickness 60 – 70 mm

### 11.3.2.1 Spring handle set



#### Product description

- Spring handle set  
With return spring
- Can be used with locks that are operated by a lever handle or cylinder (possibility of being moved downwards and upwards for activation)
- Main doors

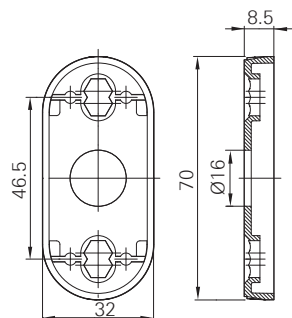
#### Scope of delivery

- 1 escutcheon lever handle set
- 1 square spindle: 8 mm
- 4 fixing screws

#### Escutcheon lever handle set

R01.4	–	Chromium	Matt chrome	2	M5x65 M5x75	1 Piece(s)	602558
–	RAL 9003	Signal white	–	2	M5x65 M5x75	1 Piece(s)	644114
R06.2	RAL 9005	Jet black	–	2	M5x65 M5x75	1 Piece(s)	553875
–	RAL 9006	White aluminium	–	2	M5x65 M5x75	1 Piece(s)	553877
R00.0	–	Uncoated	–	2	M5x65 M5x75	30 Piece(s)	553927

#### Escutcheons – profile cylinder hole










#### Scope of delivery

- 2 escutcheons
- 4 fixing screws

**Roto Safe****Roto Freestyle**

Door leaf thickness 60 – 70 mm

							Nº
R01.4	–	Chromium	Matt chrome	4	M5x20	1 Set(s)	602559 <input checked="" type="checkbox"/>
–	RAL 9003	Signal white	–	4	M5x20	1 Set(s)	644225 <input checked="" type="checkbox"/>
R06.2	RAL 9005	Jet black	–	4	M5x20	1 Set(s)	553876 <input checked="" type="checkbox"/>
–	RAL 9006	White aluminium	RAL 9006 – White aluminium	4	M5x20	1 Set(s)	553878 <input type="checkbox"/>
R00.0	–	Uncoated	–	4	M5x20	30 Set(s)	553928 <input checked="" type="checkbox"/>





## Handle accessories










External balcony door handles	
See page	294
<hr/>	
Replacement key	
See page	297
<hr/>	
Detachable key	
See page	298
<hr/>	
T&T restrictor	
See page	299
<hr/>	
Spindle	
See page	300
<hr/>	
Roto Cyl-Tec – profile cylinders	
Double cylinder	301
Knob cylinder	303
Key blanks	303
<hr/>	
Espagnolette support	
Individual component	304
Set (individual component with screws)	305
<hr/>	
Flat-headed screw M5 x 12	
See page	306
<hr/>	

## 12 Accessories

### 12.1 External balcony door handles

#### PVC balcony door handles



			Nº
R04.1	Grey brown	20 Piece(s)	228258 <input type="checkbox"/>
R07.2	Traffic white	20 Piece(s)	228259 <input type="checkbox"/>

#### Aluminium balcony door handles

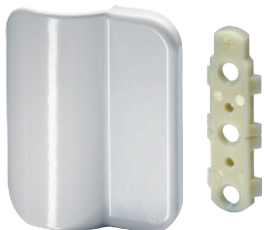






			Nº
R01.1	Natural silver	100 Piece(s)	355837 <input type="checkbox"/>
R01.3	Titanium	100 Piece(s)	785816 <input type="checkbox"/>
R05.3	Medium bronze	100 Piece(s)	355838 <input type="checkbox"/>
R05.5	Bronze	100 Piece(s)	491911 <input type="checkbox"/>
R06.2M	Jet black, matt	100 Piece(s)	896752 <input type="checkbox"/>
R07.2	Traffic white	100 Piece(s)	355839 <input type="checkbox"/>





**Zinc die-cast balcony door handles with mounting plate**



				N <sup>o</sup>
R04.4	–	Black brown	1 Piece(s)	539570 <input type="checkbox"/>
R05.5	–	Bronze	1 Piece(s)	539651 <input type="checkbox"/>
R06.2	–	Jet black	1 Piece(s)	539656 <input type="checkbox"/>
R07.2	–	Traffic white	1 Piece(s)	539578 <input type="checkbox"/>
R07.3	–	Cream	1 Piece(s)	539577 <input type="checkbox"/>
R00.0	–	Uncoated	1 Piece(s)	540213 <input type="checkbox"/>
R02.2	RAL 7016	Anthracite grey	1 Piece(s)	539575 <input type="checkbox"/>
–	RAL 7001	Silver grey	1 Piece(s)	539576 <input type="checkbox"/>
	RAL 9006	White aluminium	1 Piece(s)	539642 <input type="checkbox"/>
	RAL 9007	Grey aluminium	1 Piece(s)	539780 <input type="checkbox"/>

Other RAL colours are available upon request

**PVC balcony door handles, type 1 for installation on the edge of the profile**





			N <sup>o</sup>
R01.5	Silver	100 Piece(s)	539238 <input type="checkbox"/>
R04.4	Black brown	100 Piece(s)	539010 <input type="checkbox"/>
R07.2	Traffic white	100 Piece(s)	538620 <input type="checkbox"/>



**PVC balcony door handles, type 2 for installation on the surface of the profile**



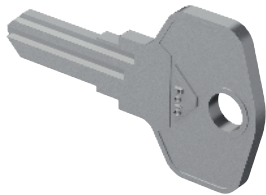
			N <sup>o</sup>
R01.5	Silver	100 Piece(s)	769002 <input type="checkbox"/>
R04.4	Black brown	100 Piece(s)	539256 <input type="checkbox"/>
R06.2	Jet black	100 Piece(s)	770823 <input type="checkbox"/>
R07.2	Traffic white	100 Piece(s)	539255 <input type="checkbox"/>




Other RAL colours are available upon request





## 12.2 Replacement key



			N <sup>o</sup>
Replacement key 1G1 "large"	44	1 Piece(s)	257830 <input type="checkbox"/>
Replacement key 1G1 "small"	37	1 Piece(s)	639099 <input type="checkbox"/>
Key set with ring	-	10 Piece(s)	208248 <input checked="" type="checkbox"/>

### Keys are compatible with the following handles:

	Replacement key "small"	Replacement key "large"	Key set with ring
<b>Roto Swing</b>	■	■	-
Roto Swing, TiltFirst	■	-	-
Roto Swing, lockable, 40 Nm	■	-	-
<b>Roto Line</b>	■	■	■
<b>Roto Samba</b>	■	■	-

■ = Standard



## 12.3 Detachable key








### Product description

- Removal tool for the transport safety device of the handle without escutcheon
- In conjunction with Roto Line handle without escutcheon
  - 3.1.8 "Window handles – handle without escutcheon" from page 104
  - 3.1.9 "Window handles – handle without escutcheon; lockable" from page 105

### Scope of delivery

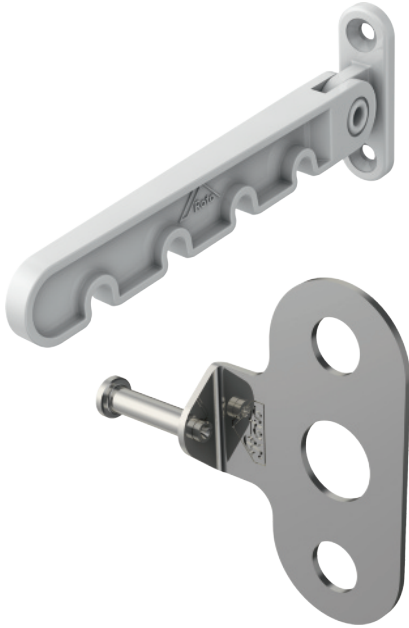
- 1 key

					<b>Nº</b>
Release key for handle without escutcheon	-	-	-	10 Piece(s)	377995 





## 12.4 T&T restrictor






### Product description

- T&T restrictor angle to be mounted on the handle
- T&T restrictor connecting rod to be mounted on the frame

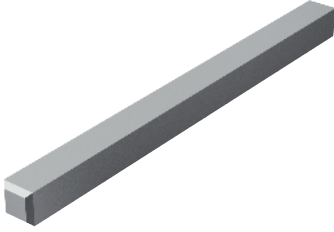
### Scope of delivery

- 1 connecting rod
- 1 angle

			N <sup>o</sup>
Grey brown	R04.1	10 Piece(s)	245686 <input type="checkbox"/>
Traffic white	R07.2	10 Piece(s)	245685 <input type="checkbox"/>



## 12.5 Spindle





### Product description

- In delivery scope for Roto Line handles without spindle

### Scope of delivery

- 1 spindle

		<b>N<sup>o</sup></b>
150	10 Piece(s)	287824 <input type="checkbox"/>

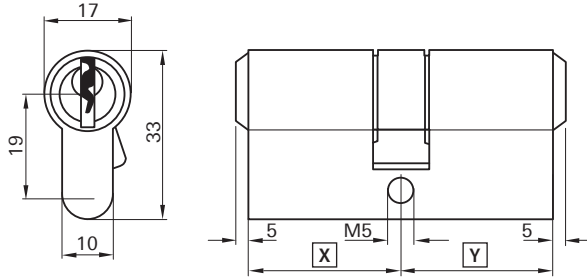
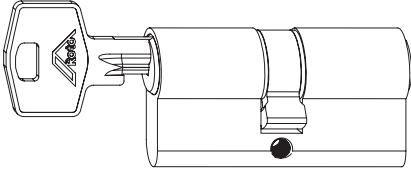




## 12.6 Roto Cyl-Tec – profile cylinders

### 12.6.1 Double cylinder

#### 12.6.1.1 Standard key



[X] and [Y] = profile cylinder length

#### Product description

- Six-pin system with 240,000 combinations
- Tested in accordance with EN 1303
- Key with large knob
- Built-in drilling protection

#### Scope of delivery

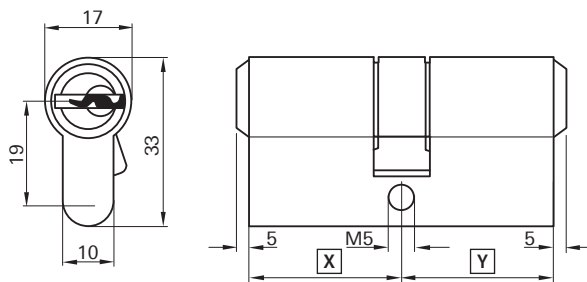
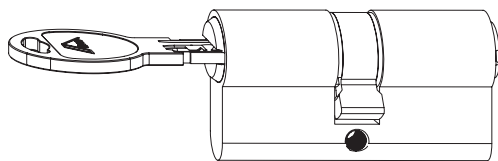
- 3 keys
- 1 fixing screw M5 x 60

				Nº
Keyed to differ	31 / 31	Nickel-plated	1 Piece(s)	640068
	31 / 35	Nickel-plated	1 Piece(s)	632589
	31 / 40	Nickel-plated	1 Piece(s)	640074
	31 / 45	Nickel-plated	1 Piece(s)	640069
	31 / 50	Nickel-plated	1 Piece(s)	640070
	31 / 55	Nickel-plated	1 Piece(s)	642659
	31 / 60	Nickel-plated	1 Piece(s)	640080
	31 / 70	Nickel-plated	1 Piece(s)	729304
	35 / 35	Nickel-plated	1 Piece(s)	640071
	35 / 40	Nickel-plated	1 Piece(s)	640072
	35 / 45	Nickel-plated	1 Piece(s)	640073
	35 / 50	Nickel-plated	1 Piece(s)	640075
	35 / 55	Nickel-plated	1 Piece(s)	640076
	40 / 40	Nickel-plated	1 Piece(s)	632590
	40 / 45	Nickel-plated	1 Piece(s)	632591
	40 / 50	Nickel-plated	1 Piece(s)	632592
	40 / 55	Nickel-plated	1 Piece(s)	632593
	40 / 60	Nickel-plated	1 Piece(s)	640081
	40 / 70	Nickel-plated	1 Piece(s)	642660
	45 / 45	Nickel-plated	1 Piece(s)	632594
	45 / 50	Nickel-plated	1 Piece(s)	632605
	45 / 55	Nickel-plated	1 Piece(s)	640077
	45 / 60	Nickel-plated	1 Piece(s)	729303
	50 / 50	Nickel-plated	1 Piece(s)	640078
50 / 60	Nickel-plated	1 Piece(s)	640079	
50 / 70	Nickel-plated	1 Piece(s)	729315	



Compatible key blank → *from page 303*

12.6.1.2 Reversible key














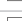
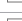



[X] and [Y] = profile cylinder length

Product description

- Six-pin system with 240,000 combinations
- Tested in accordance with EN 1303
- Key with large knob
- Built-in drilling protection

Scope of delivery

- 5 keys
- 1 fixing screw M5 x 60

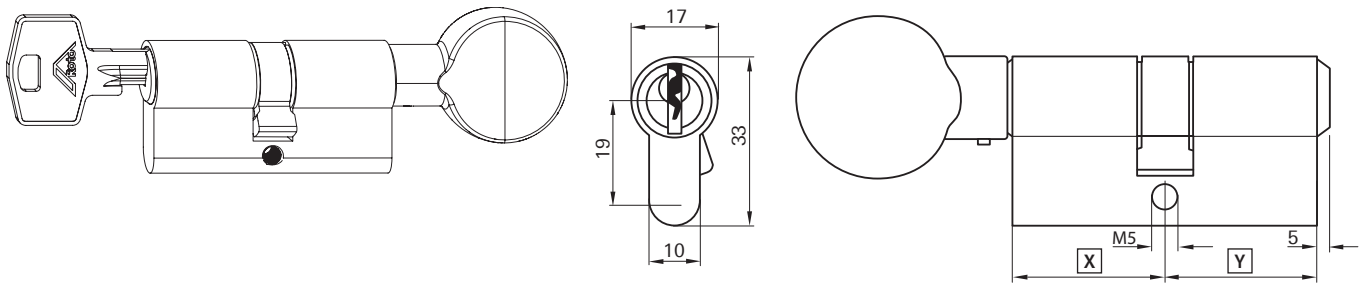
				N <sup>o</sup>
Keyed to differ	35 / 65	Nickel-plated	1 Piece(s)	839567 
	35 / 75	Nickel-plated	1 Piece(s)	839568 
	40 / 40	Nickel-plated	1 Piece(s)	796353 
	40 / 45	Nickel-plated	1 Piece(s)	796348 
	40 / 50	Nickel-plated	1 Piece(s)	796352 
	40 / 60	Nickel-plated	1 Piece(s)	839566 
	45 / 45	Nickel-plated	1 Piece(s)	796349 
	45 / 50	Nickel-plated	1 Piece(s)	796350 
	45 / 55	Nickel-plated	1 Piece(s)	796351 
	50 / 60	Nickel-plated	1 Piece(s)	796355 
Keyed alike	45 / 50	Nickel-plated	10 Piece(s)	808436 
	50 / 60	Nickel-plated	10 Piece(s)	808435 

Compatible key blank → from page 303





### 12.6.2 Knob cylinder



[X] and [Y] = profile cylinder length

#### Product description

- Six-pin system with 240,000 combinations
- Tested in accordance with EN 1303
- Key with large knob
- Built-in drilling protection

#### Scope of delivery

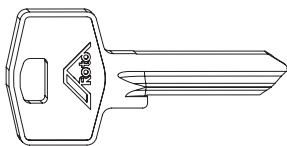
- 3 keys
- 1 fixing screw M5 x 45
- 1 fixing screw M5 x 60

				N <sup>o</sup>
Keyed to differ	30 / 35	Nickel-plated	1 Piece(s)	788794
	35 / 45	Nickel-plated	1 Piece(s)	775103
	40 / 40	Nickel-plated	1 Piece(s)	775098
	45 / 35	Nickel-plated	1 Piece(s)	775099
	45 / 45	Nickel-plated	1 Piece(s)	775101
	45 / 50	Nickel-plated	1 Piece(s)	775102
	50 / 45	Nickel-plated	1 Piece(s)	775100

Compatible key blank → *from page 303*

### 12.6.3 Key blanks

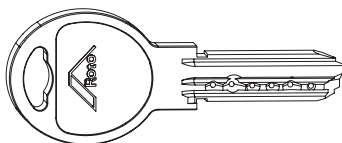
#### Standard key



	N <sup>o</sup>
Key blank for standard key	632626



#### Reversible key



	N <sup>o</sup>
Key blank for reversible key	796354

## 12.7 Espagnolette support

### 12.7.1 Individual component



#### Product description

- Geared-handle support for fixing of the geared-handle
- Can be used optionally with thin-walled sash profiles

#### Scope of delivery

- 1 geared-handle support
- Without fixing screws



#### INFO

Suitable for all Roto Line geared-handles. → *from page 100* → *from page 101*

				<b>Nº</b>
Espagnolette support	For Roto Line AL geared-handle	13.5	100 Piece(s)	331937





### 12.7.2 Set (individual component with screws)



#### Product description

- Geared-handle support for fixing of the geared-handle
- Can be used optionally with thin-walled sash profiles

#### Scope of delivery

- 1 geared-handle support
- 2 fixing screws



#### INFO

Suitable for all Roto Line geared-handles. → *from page 100* → *from page 101*

AL espagnolette support set	For Roto Line AL geared-handle	2	M5x12	10 Piece(s)	728853



## 12.8 Flat-headed screw M5 x 12



### Product description

- Screw for attaching handles

### Scope of delivery

- 1 fixing screw

			<b>Nº</b>
Cylinder screw	M5x12	100 Piece(s)	728925 <input type="checkbox"/>





**Roto Frank**  
**Fenster- und Türtechnologie GmbH**

Wilhelm-Frank-Platz 1  
70771 Leinfelden-Echterdingen  
Germany

Phone +49 (0) 711 7598 0  
Fax +49 (0) 711 7598 253  
info@roto-frank.com

**[www.roto-frank.com](http://www.roto-frank.com)**

**From a single source: Optimum hardware systems to meet all challenges**

- Roto Window** | Hardware systems for windows and balcony doors
- Roto Sliding** | Hardware systems for large sliding windows and doors
- Roto Door** | Matching hardware technology everything about doors
- Roto Equipment** | Additional technology for windows and doors